

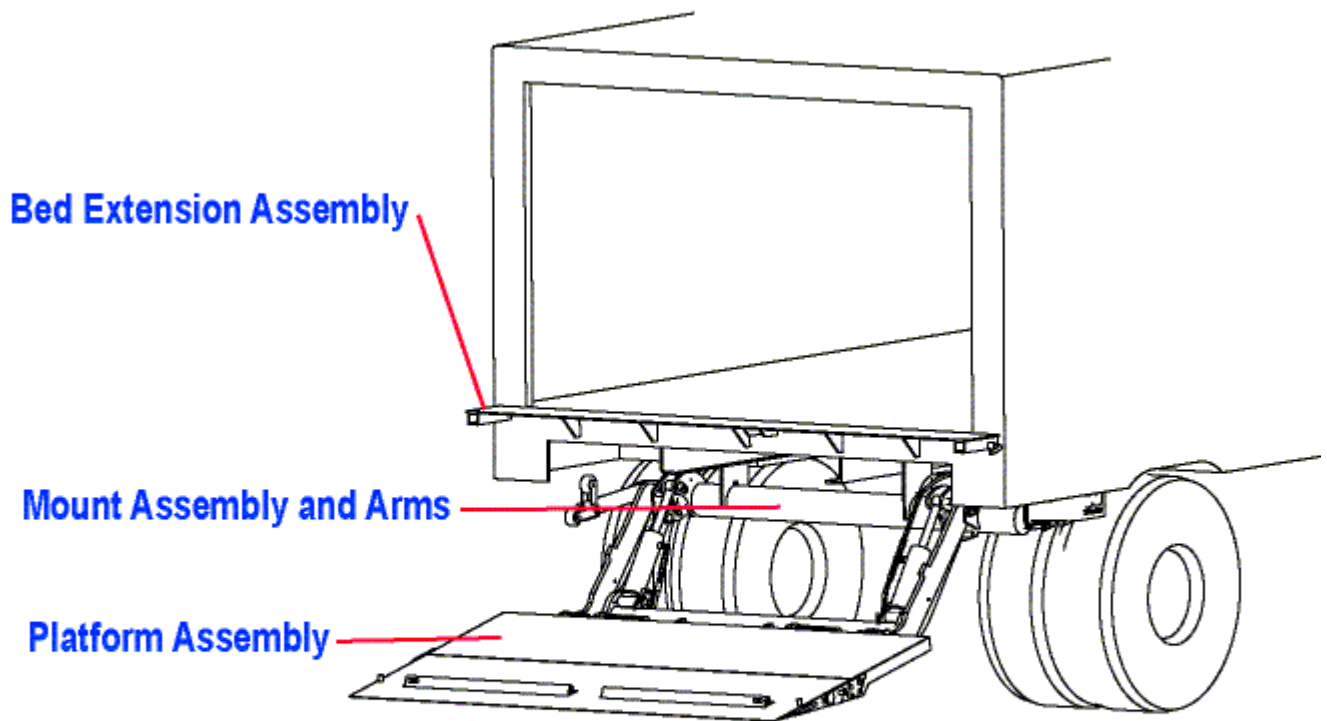


EZL-Series

Click the appropriate link below for the major component of the liftgate for which you are trying to find the correct part. If you are unsure of the name of the part in Waltco terminology, click the "Liftgate Terminology" link and it will take you to a document showing a picture of the liftgate with the common Waltco names for each of the parts.

EZL- Series

[EZL Liftgate Terminology](#)



[Hydraulic and Electrical Layouts](#)

[Schematics](#)

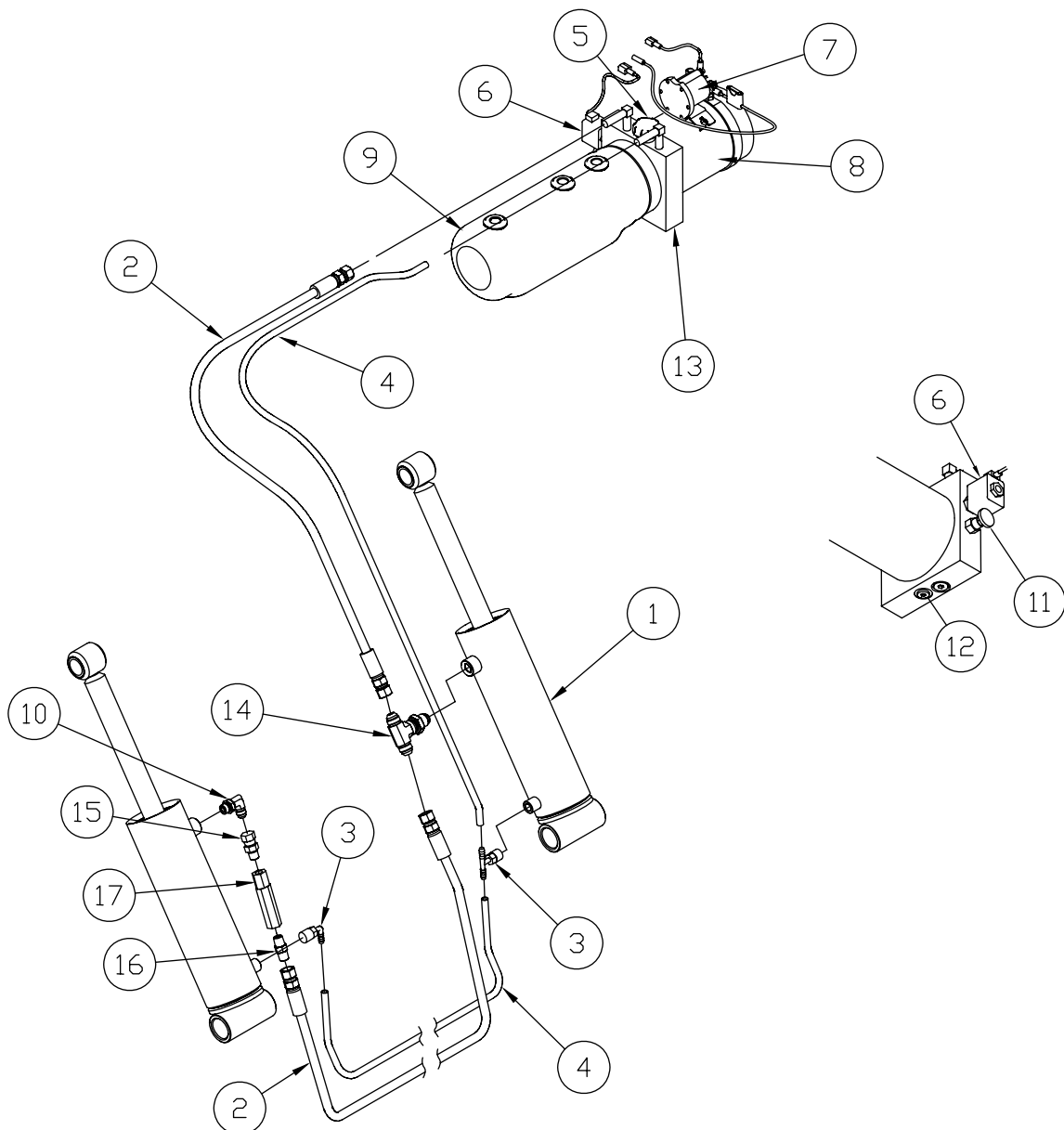
[Pumps and Cylinders](#)

[Tech Tips](#)

EZL Series Liftgate Terminology

1. Hydraulic Cylinder
2. Hose Assembly
3. Return Line Barbed Fitting
4. Return Line
5. Breather
6. Lowering Solenoid
7. Pump Unit Starter Solenoid
8. Pump Unit Motor
9. Pump Unit Reservoir

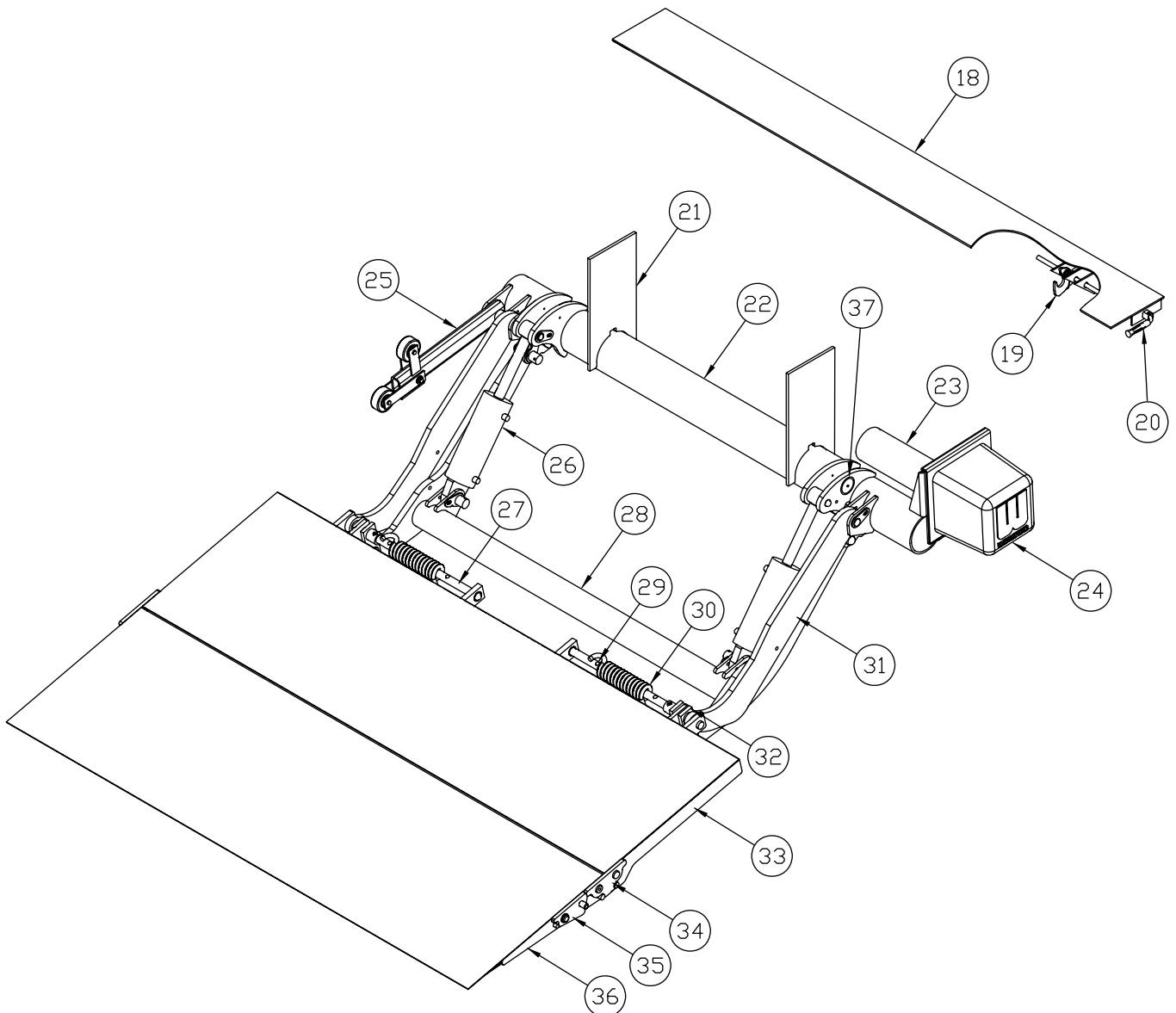
10. 90° Hose Fitting
11. Flow Control Valve
12. Drain Plug
13. Pump
14. T- Hose Fitting
15. Male-Female Coupler
16. Female-Female Coupler
17. Flow Control Valve



GR02274

EZL Series Liftgate Terminology

- | | |
|--------------------------|-----------------------------|
| 18. Bed Extension | 28. Lift Arm Assembly |
| 19. Transit Hook | 29. Roll Pin |
| 20. Transit Latch Handle | 30. Spring |
| 21. Mount Plate | 31. Parallel Arm |
| 22. Mount Tube Assembly | 32. Stop Block |
| 23. Pump Unit | 33. Deck Assembly |
| 24. Pump Cover | 34. Hinge |
| 25. Parting Bar | 35. Platform Lock |
| 26. Hydraulic Cylinder | 36. Deck Extension Assembly |
| 27. Main Deck Pin | 37. Specification Tag |



GR00467

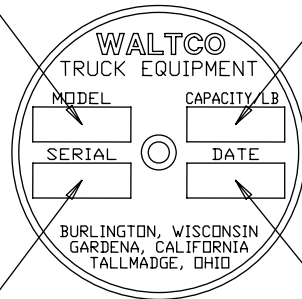
EZL Series Liftgate Terminology

Explanation of Specification Tag

Model No.	Model Name	Description	Capacity
235	EZL-25	Flipaway	2500 lbs.
236	EZL-30	Flipaway	3000 lbs.

MODEL NUMBER

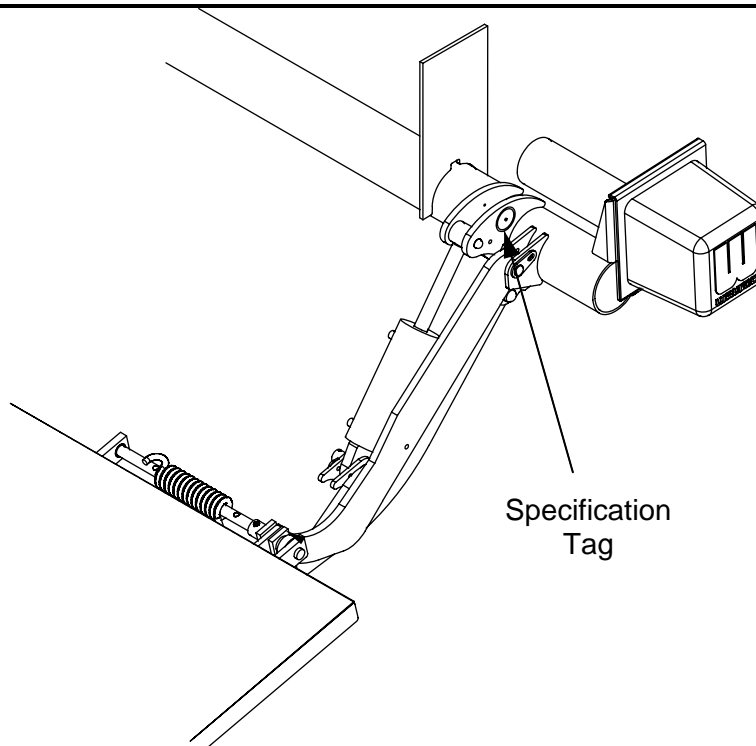
RATED CAPACITY
Based on an evenly distributed load on the platform flat surface.



SERIAL NUMBER
of liftgate. To be used when ordering parts or when contacting Waltco for service or warranty questions

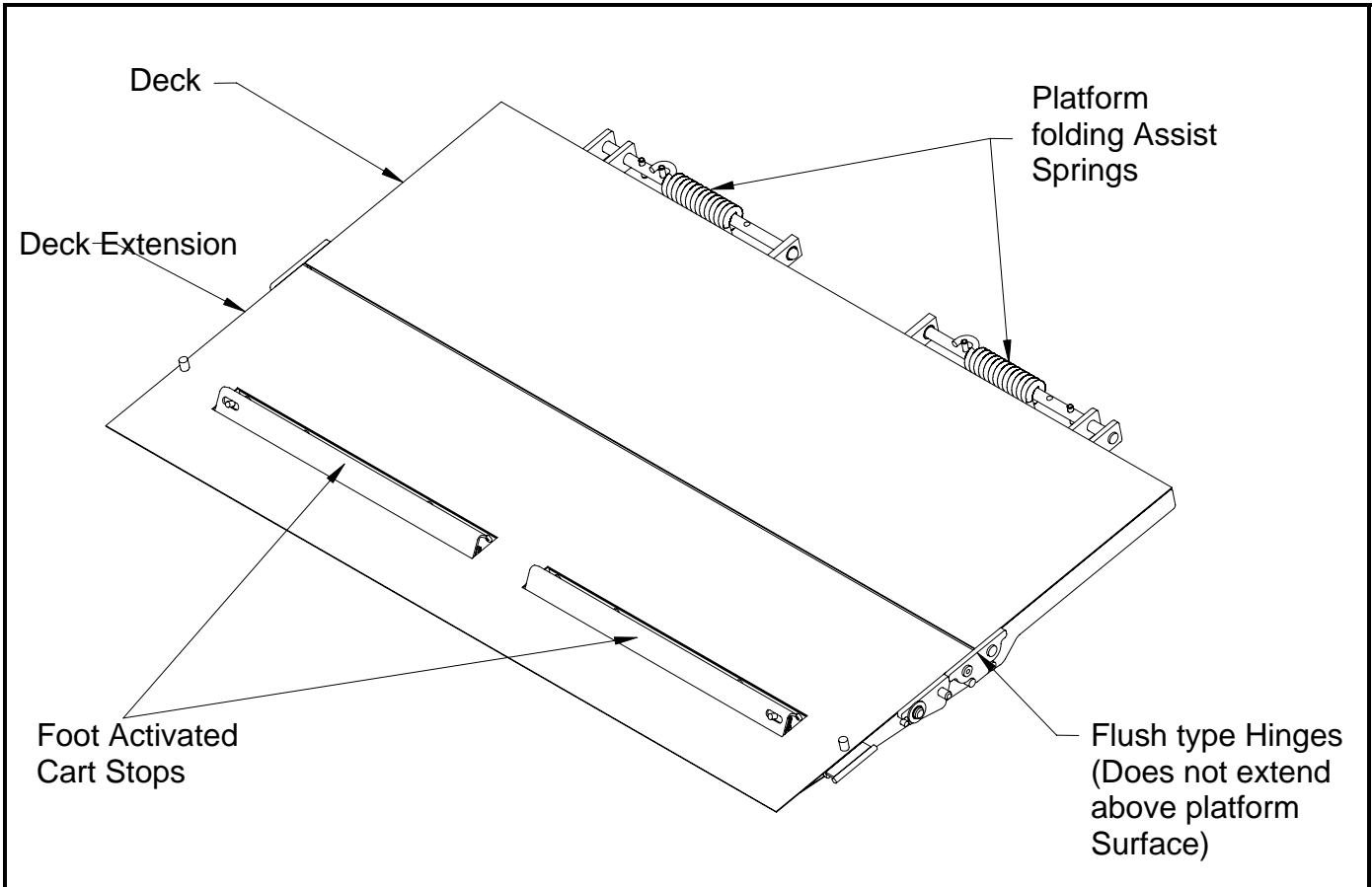
DATE OF MANUFACTURE
Month / Year

GR00241



GR02275

EZL-SERIES PLATFORM ASSEMBLY



Common Features

- Wide arm design
- Platforms are 48" Deep x 80" Wide
- Two assist springs
- Reduced Maintenance Design (No Grease required)
- Foot Activated Split Cart Stops (31" Wide)
- Reduced Installation design (Pump attached to Mount Tube)
- Available in two Lifting Capacities:
EZL-25 – 2500 lb.
EZL-30 – 3000 lb.
- Torsion assisted Deck Extension folding

Capacity decal

EZL-25 – 2500 Pounds
EZL-30 – 3000 Pounds

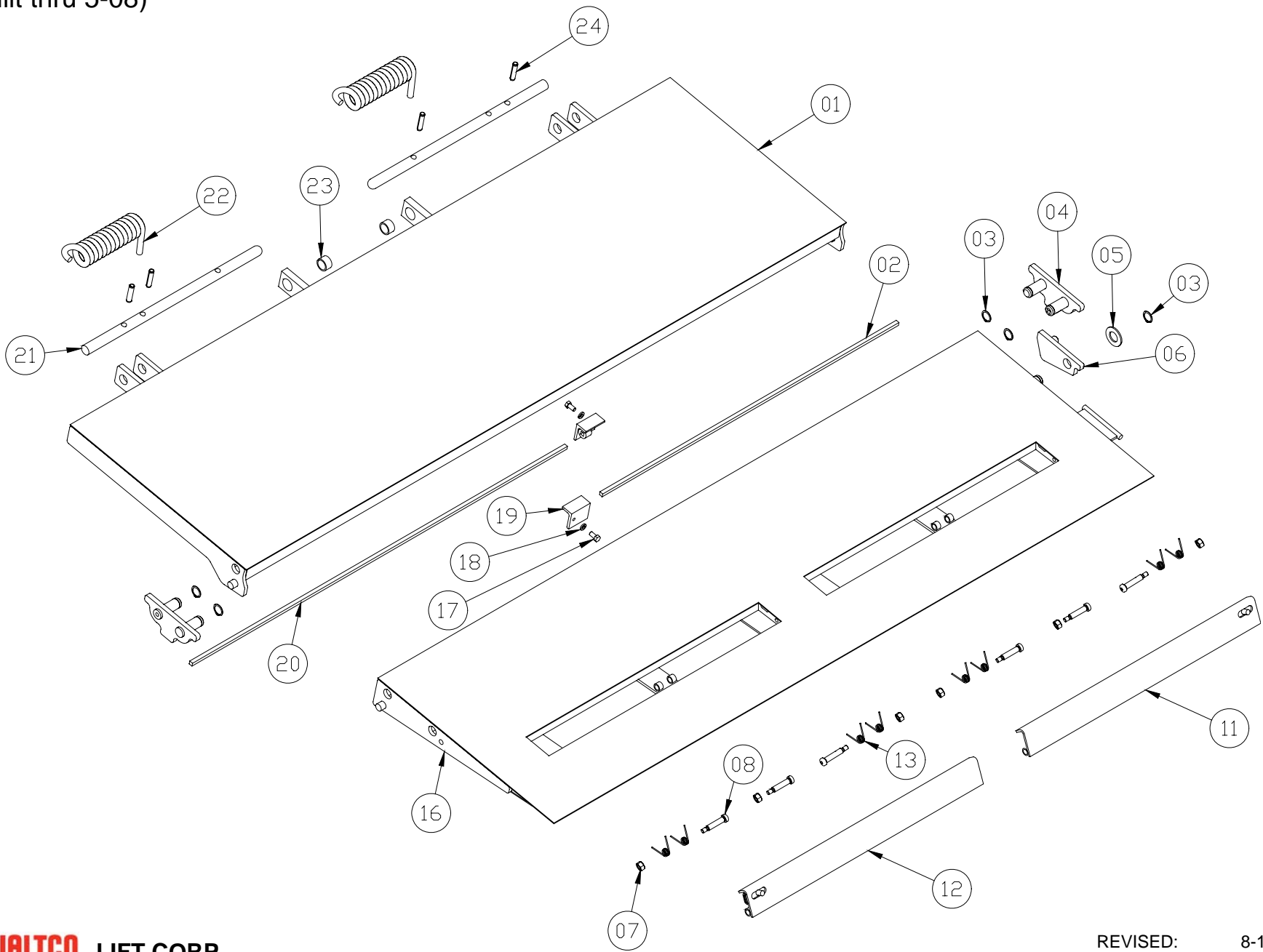
PM-626 Built from 6-04 thru 5-08

PM-626A Built from 5-08

Rev. 02 8/09

[Click here for list of liftgate serial numbers, organized by approximate ship dates.](#)

PLATFORM ASSEMBLY
(Built thru 5-08)



WALTCO LIFT CORP.
EZL-25, 30

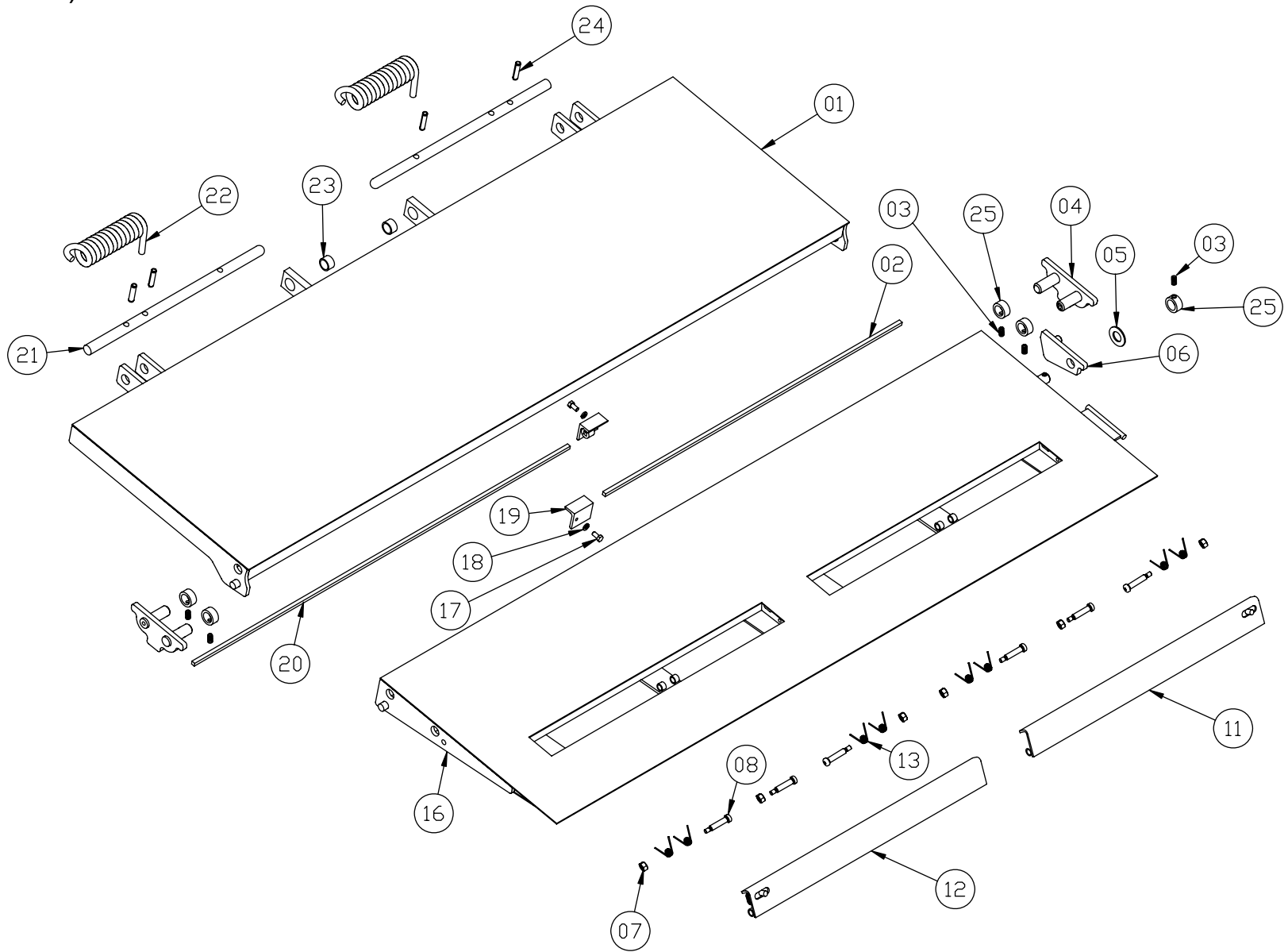
REVISED: 8-1-09
E.O. 6251
REV. 04

PM-626

ITEM	PART NUMBER	QTY	DESCRIPTION
01	80004700 ^h	1	Main Deck Complete
02	33570200 ^{hj}	1	3/8" x 39-1/2" Torsion Bar
03	75001004 ^{efghjk}	3	Retaining Ring, 1" dia.
04	80001212	1	Hinge Assembly Kit (2 Hinges)
05	75088061 ^{hj}	1	Washer, 1-1/16" i.d. x 2" o.d. x 0.134" thk.
06	23515000 ^{hj}	1	Platform Lock
07	75085185 ^{cgj}	6	Lock Nut, 3/8"-16
08	75087574 ^{cgj}	6	Socket Head Shoulder Screw, Gr. 8
11	23614500 ^{cgj}	1	Cart Stop Assembly, Curb Side
12	23614550 ^{dgj}	1	Cart Stop Assembly, Driver Side
13	14241601 ^{cgj}	8	Spring, Cart Stop
16	80004696 ^h	1	Deck Extension Complete
	80004697 ^j		Deck Extension W/ Cart Stops, Complete
17	75086055 ^{efghj}	2	Screw, Grade 5 Hex, 3/8"-16 x 3/4"
18	75088081 ^{efghj}	2	Washer, Lock, 3/8" i.d.
19	23511750 ^{hj}	2	Anchor Bracket
20	33670200 ^{hj}	1	3/8" x 50" Torsion Bar
21	23512100 ^a	2	Pin, Main Hinge
22	21514301	2	Torsion Spring
23	10010142 ^{behj}	2	Bearing, 1" i.d. x 3/4"
24	75089542 ^{abehj}	4	Coiled Pin, 1/2" x 2"

- a Included in Pin Replacement Kit 80004692
- b Included in Bearing Replacement Kit 80004693
- c Included in Curb Side Cart Stop Parts Kit 80004694
- d Included in Driver Side Cart Stop Parts Kit 80004695
- e Included in Main Deck Complete 80004700
- f Included in Deck Extension Complete 80004696
- g Included in Deck Extension with Cart Stops 80004697
- h Included in Platform Complete 80004698
- j Included in Platform Complete with Cart Stops 80004699
- k Included in Hinge Assy Kit 80001212

PLATFORM ASSEMBLY
(Built from 5-08)



WALTCO LIFT CORP.
EZL-25, 30

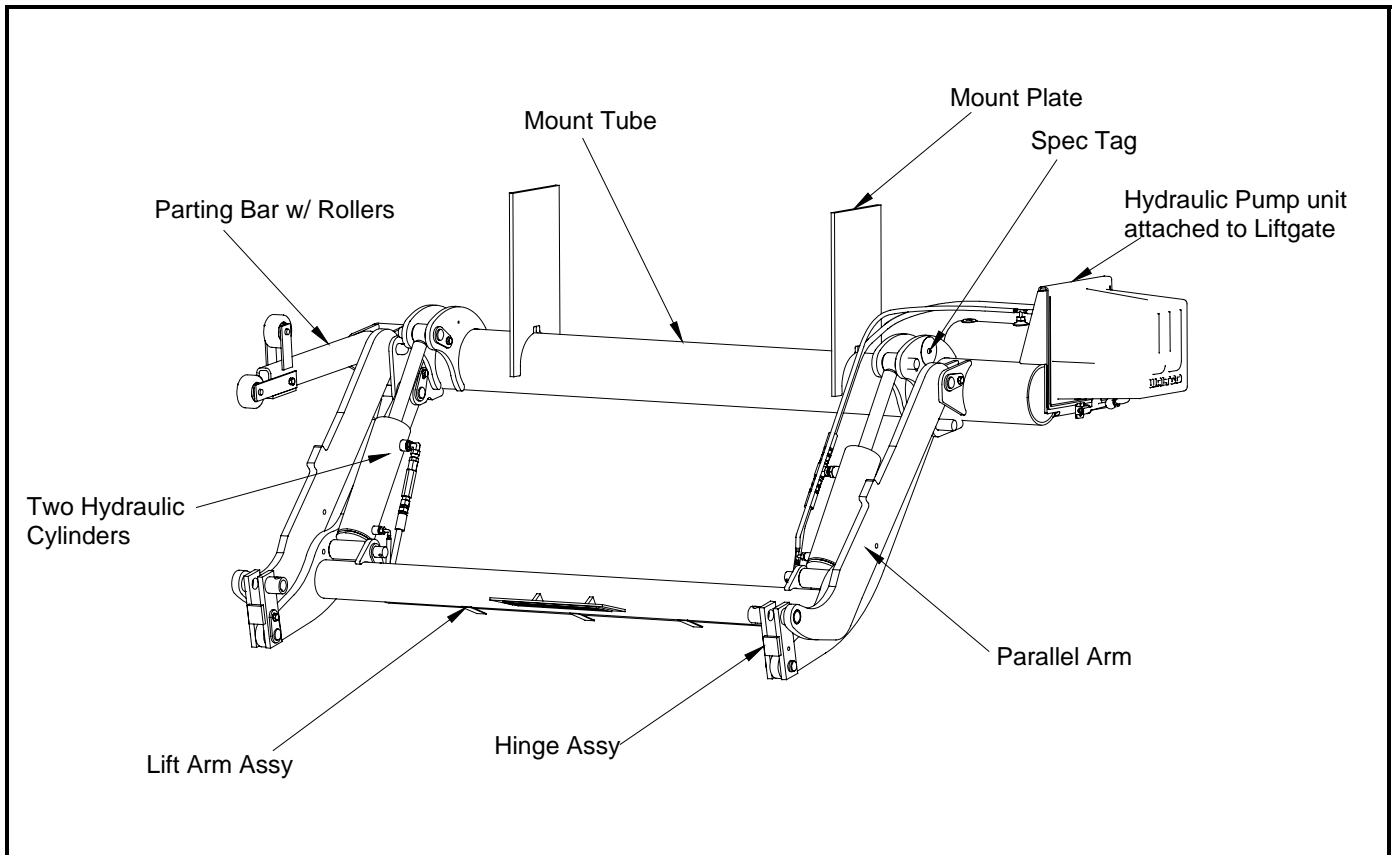
REVISED: 8-1-09
E.O. 6251
REV. 02

PM-626A

ITEM	PART NUMBER	QTY	DESCRIPTION
01	80004700 ^h	1	Main Deck Complete
02	33570200 ^{hj}	1	3/8" x 39-1/2" Torsion Bar
03	7500047-5 ^{efghjk}	5	3/8-16 x 1/2" Set Screw w/Patch
04	23511701 ^{efghjk}	2	Platform Hinge
05	75088061 ^{hj}	1	Washer, 1-1/16" i.d. x 2" o.d. x 0.134" thk.
06	23515000 ^{hj}	1	Platform Lock
07	75085185 ^{cgj}	6	Lock Nut, 3/8"-16
08	75087574 ^{cgj}	6	Socket Head Shoulder Screw, Gr. 8
11	23614500 ^{cgj}	1	Cart Stop Assembly, Curb Side
12	23614550 ^{dgj}	1	Cart Stop Assembly, Driver Side
13	14241601 ^{cgj}	8	Spring, Cart Stop
16	80004696 ^h	1	Deck Extension Complete
	80004697 ^j		Deck Extension W/ Cart Stops, Complete
17	75086055 ^{efghj}	2	Screw, Grade 5 Hex, 3/8"-16 x 3/4"
18	75088081 ^{efghj}	2	Washer, Lock, 3/8" i.d.
19	23511750 ^{hj}	2	Anchor Bracket
20	33670200 ^{hj}	1	3/8" x 50" Torsion Bar
21	23512100 ^a	2	Pin, Main Hinge
22	21514301	2	Torsion Spring
23	10010142 ^{behj}	2	Bearing, 1" i.d. x 3/4"
24	75089542 ^{abehj}	4	Coiled Pin, 1/2" x 2"
25	23512300 ^{efghjk}	5	Collar

- a Included in Pin Replacement Kit 80004692
- b Included in Bearing Replacement Kit 80004693
- c Included in Curb Side Cart Stop Parts Kit 80004694
- d Included in Driver Side Cart Stop Parts Kit 80004695
- e Included in Main Deck Complete 80004700
- f Included in Deck Extension Complete 80004696
- g Included in Deck Extension with Cart Stops 80004697
- h Included in Platform Complete 80004698
- j Included in Platform Complete with Cart Stops 80004699
- k Included in Hinge Assembly Kit 80001212

EZL-SERIES MOUNT ASSEMBLY



Common Features

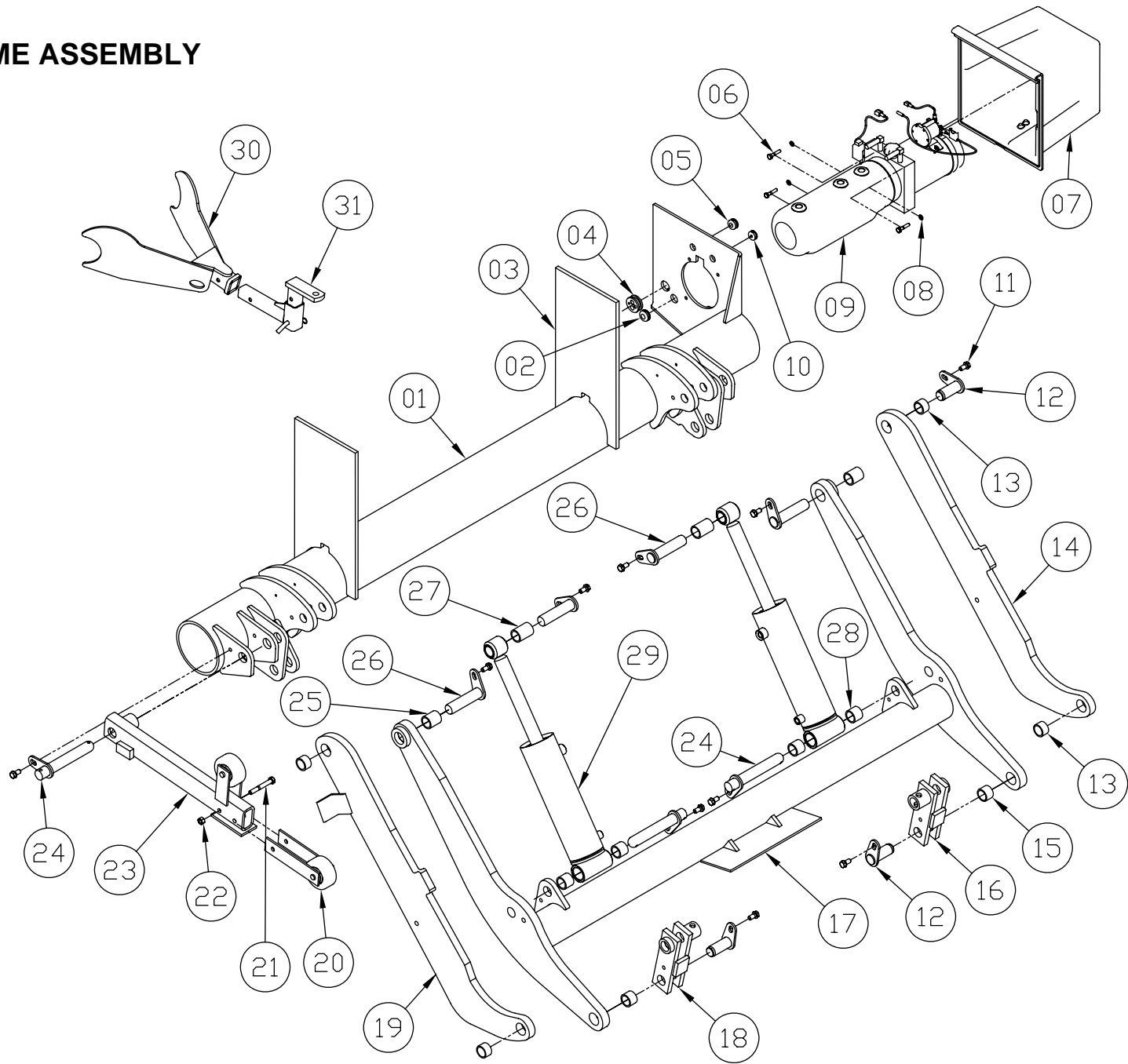
- Wide arm design
- Two Cylinders
- Spec tag on cylinder clevis
- Round mount tube
- Round lift tube
- Two independent hinge assemblies
- Parting bar with Roller
- Reduced Maintenance Design (No Grease required)
- Reduced Installation design (Pump attached to Mount Tube)
- Available in two Lifting Capacities:
EZL-25 – 2500 lb.
EZL-30 – 3000 lb.
- Torsion assisted Deck Extension folding

PM-625 Built from 6-04

Rev. 01 6/04

[Click here for list of liftgate serial numbers, organized by approximate ship dates.](#)

MOUNT FRAME ASSEMBLY
(All Years)



WALTCO LIFT CORP.
EZL-25, 30

REVISED: 11-20-08
E.O. 6097
REV. 03

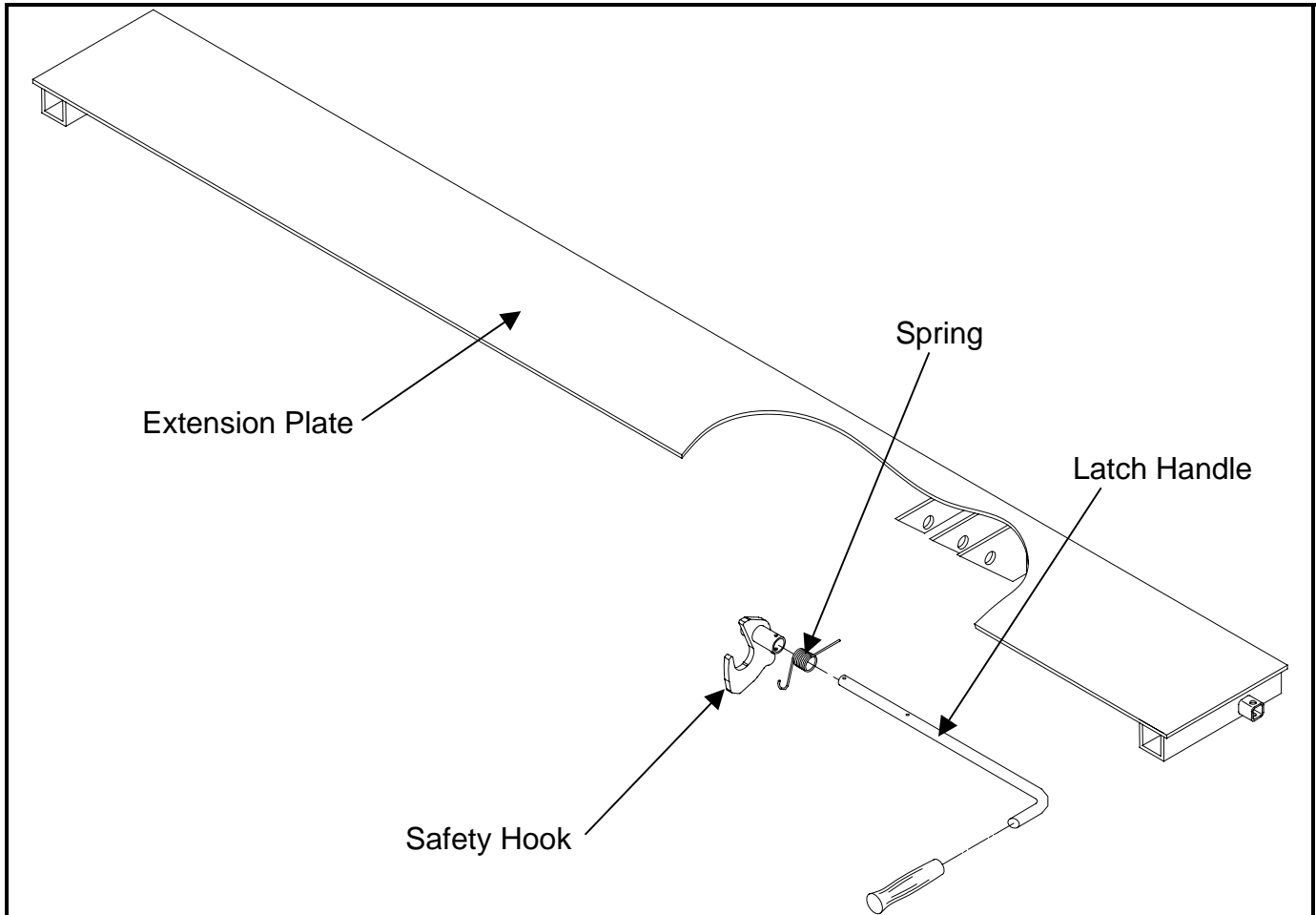
PM-625

ITEM	PART NUMBER	QTY	DESCRIPTION
01	23520000	1	Mount Frame Weldment
02	75089334	1	Grommet, 1/2" i.d.
03	25170100	2	Mount Plate
04	75090310	1	Grommet, Split, Mutli Hole
05	70401408	1	Grommet, 7/16" i.d.
06	75086212	3	Screw, Grade 8 Hex, 1/4"-20 x 1-1/4"
07	10090450	1	Pump Cover
08	75088079	3	Washer, Lock, 1/4" i.d.
09	70430320	1	Hydraulic Pump, Gravity Down
	70430430		Hydraulic Pump, Power Down
10	70401409	1	Grommet, 1/4" i.d.
11	75086846 ^{a,b}	10	Screw, Thread Rolling, Hex, 3/8"-16 x 3/4"
12	23570300 ^a	3	Pin, 1" dia. x 2-3/8" long
13	10010142 ^b	4	Bearing, 1" i.d. x 3/4" long
14	23555000	1	Parallel Arm, Curb Side
15	10010141 ^b	2	Bearing, 1" i.d. x 7/8" long
16	23550000	1	Stop Block, Curb Side
17	23530000	1	Lift Arm Weldment
18	23550050	1	Stop Block, Driver Side
19	23555050	1	Parallel Arm, Driver Side
20	23540700	1	Parting Wheel
21	75086059	1	Screw, Hex, 3/8"-16 x 2-3/4"
22	75085185	1	Nut, Nylok, 3/8"-16
23	23540200	1	Parting Bar, Base
24	23570100 ^a	3	Pin, 1" dia. x 5-7/8" long
25	10010137 ^b	2	Bearing, 1" i.d. x 1-3/8" long
26	23370300 ^a	4	Pin, 1" dia. x 4-1/4" long
27	10010144 ^b	2	Bearing, 1" i.d. x 1-3/4" long
28	85803391 ^b	4	Bearing, 1" i.d. x 1" long
29	23580010	2	Hydraulic Cylinder
30	23640000	1	Trailer Hitch Kit (Optional)
31	80000983	1	Adjustable Draw Bar Kit, Class III (Optional)

^a Included in Pin Replacement Kit 80004692

^b Included in Bearing Replacement Kit 80004693

EZL-SERIES BED EXTENSION ASSEMBLY



Common Features

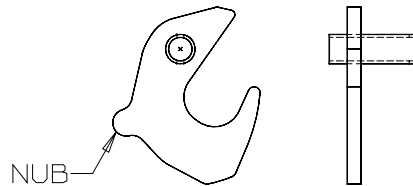
- 10" deep extension plate
- 94" or 100" wide extension plate

PM-508B
Built from 6-04

Electric Controls Only

One spring

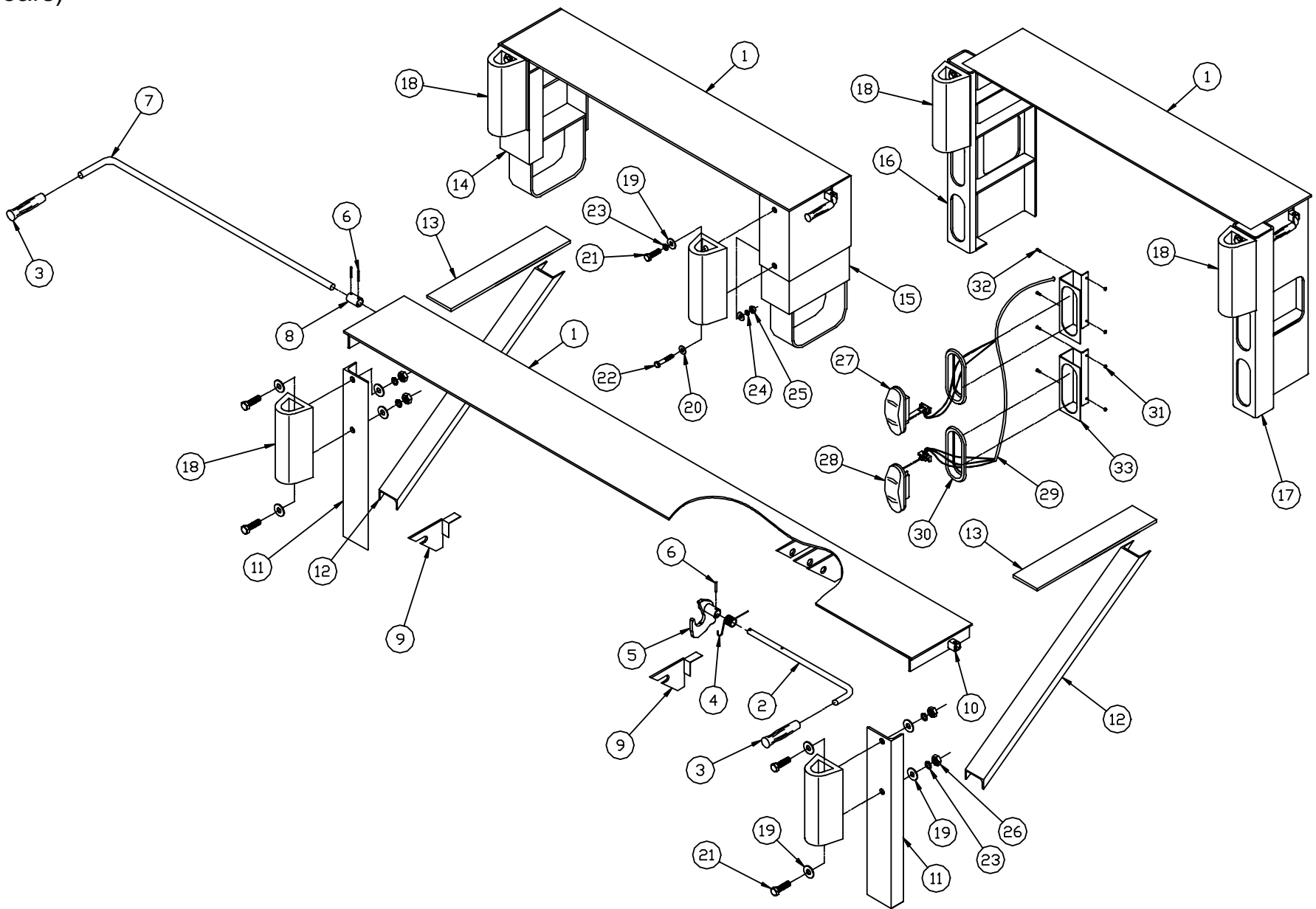
Hook with nub



Rev. 01 6/04

[Click here for list of liftgate serial numbers, organized by approximate ship dates.](#)

BED EXTENSION
(All Years)



WALTCO LIFT CORP.
F, C, E, EZL

REVISED: 7-1-08
E.O. 6046
REV. 02

PM-508B

ITEM	PART NUMBER	QTY	DESCRIPTION
1	26360001 ^A	1	Bed Extension – 96"
	26360002 ^A		Bed Extension – 102"
2	26360101 ^L	1	Control Handle 96" Bed Extension
	26360102		Control Handle 102" Bed Extension
3	75089330 ^{LK}	1	Handle Grip (2 used with dual controls)
4	20261600 ^L	1	Torsion Spring
5	26262002 ^L	1	Hook Assembly
6	75089547 ^{LK}	1	Roll Pin (3 used with dual control)
7	26365102 ^K		Dual Control Handle (Dual Control only)
8	26263202 ^K	1	Connector Sleeve (Dual Control only)
9	26266001	2	Bed Extension Gauge/Gusset
10	26265205	1	Control Handle Collar
11	26297102 ^B	2	Dock Bumper Angle
12	26298003 ^B	2	Support Channel
13	26298004 ^B	2	Support Bar
14	26298050 ^C	1	Super Duty Dock Bumper (Driver's Side)
15	26298010 ^C	1	Super Duty Dock Bumper (Curb Side)
16	22597051 ^{DE}	1	Super Duty Dock Bumper w/lights (D.S.)
17	22597001 ^{DE}	1	Super Duty Dock Bumper w/lights (C.S.)
18	26297600 ^{F GH}	2	Rubber Bumper
19	75088057 ^{F GH}	8*	Washer, 5/8"
20	75088067 ^G	4	Washer, 1/2"
21	75086155 ^{F GH}	4 ^Δ	Hex Bolt, 5/8"-11 x 2" lg.
22	75086110 ^G	2	Hex Bolt, 1/2"-13 x 2-1/2" lg.
23	75088085 ^{F GH}	4 ^Δ	Lock Washer, 5/8"
24	75088083 ^G	2	Lock Washer, 1/2"
25	75085008 ^G	2	Hex Nut, 1/2"-13
26	75085012 ^F	4	Hex Nut, 5/8"-11
27	75089374 ^D	2	Taillight Backup (Tractors only) (Clear)
28	75089373 ^{DE}	2	Taillight S, T & T (Trailers only) (Red)
	75089373 ^{DE}		Taillight S, T & T (Red)
29	22575200 ^{DE}	2	Harness, 2 Lamp
30	75089376 ^{DE}	4	Light Grommet
31	75085000 ^{DE}	8	Hex Nut, #10-32
32	75086732 ^{DE}	8	Machine Screw, #10-32 x 1" lg.
33	22597102 ^{DE}	4	Taillight Bracket

^A Kit, 80001088, Bed Extension Install, is required for mounting bed extensions

^B Heavy Duty dock Bumper Kit 26296003

^C Super Duty dock Bumper Kit 262960004 (without lights)

^D Super Duty dock Bumper Kit With (4) Lights 22596001 (Tractor)

^E Super Duty dock Bumper Kit With (4) Lights 22596003 (Trailer)

^F Rubber Bumper Kit 26297003 (For Heavy Duty Dock Bumper Kit)

^G Rubber Bumper Kit 26297004 (For Super Duty Dock Bumper Kit w/o Lights)

^H Rubber Bumper Kit 22596011 (For Super Duty Dock Bumper Kit With Lights)

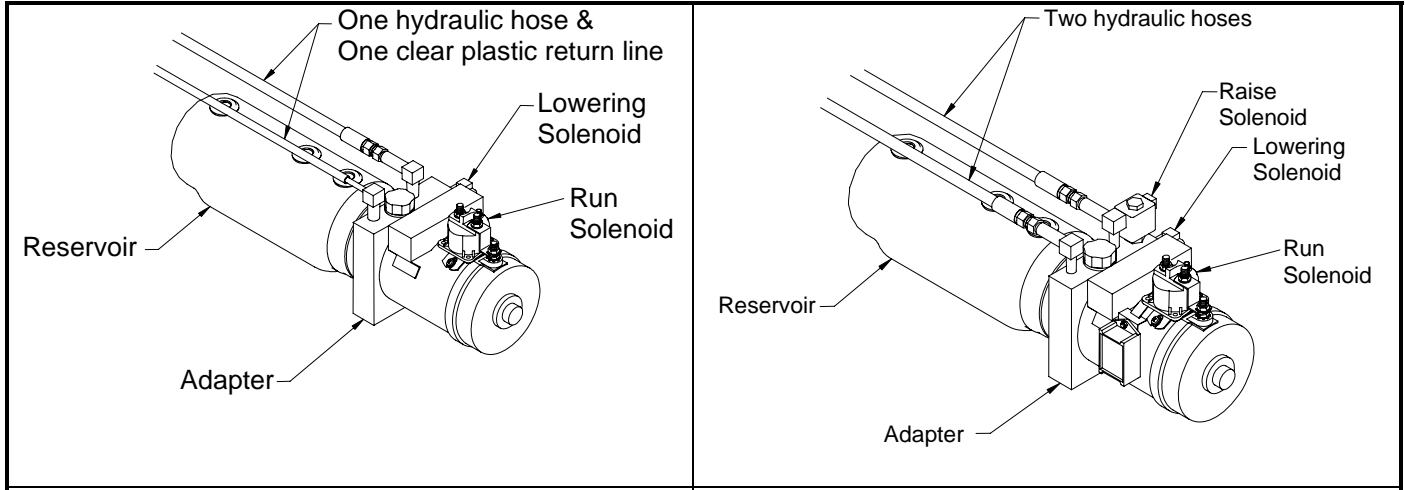
^K Included in Dual Control Kit (80000431)

^L Included in Hook and Handle Replacement Kit (80000969).

* Quantity of 4 for 22596011, Quantity of 2 for 26297004

^Δ Quantity of 2 for 26297004

EZL-SERIES ELECTROPAK® and THERMALPAK® (Manufactured from 6-04)



EZL-25, 30 Electric Control

EZL-25, 30 Electric Control Power Down

Common Features

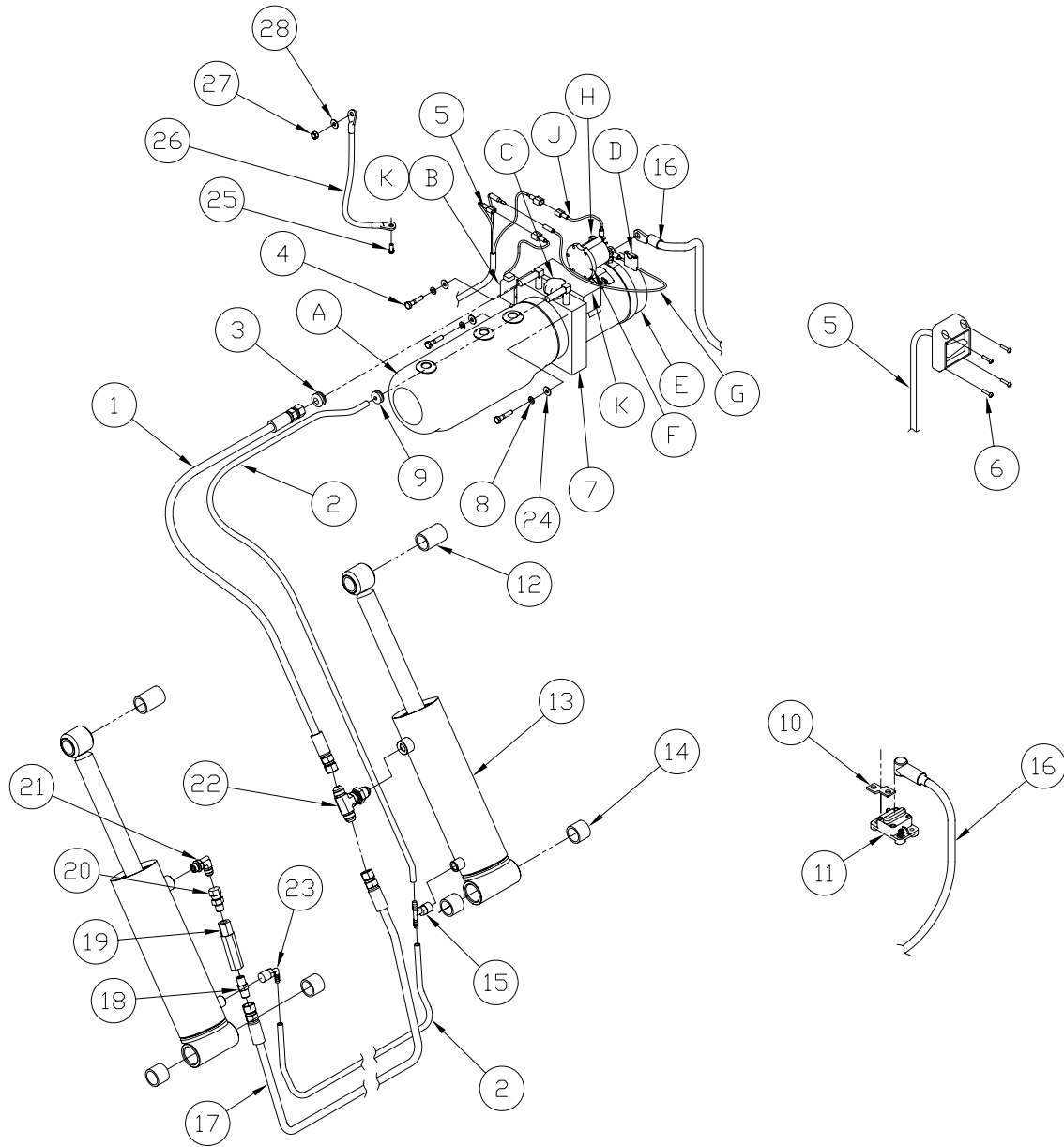
- Monarch power units with ElectroPak® or ThermalPak® decal
- Electric controls
- "EZL" Series reduced maintenance cylinder
- Pressure set at 2700 psi
- Pump mounted to curb side of liftgate mount tube
- Thermalpak discontinued 6-07
- Added Thermal Protection to all pumps 6-07

	EZL-25, 30	
	Electric Control	Electric Control Power Down
Reservoir	Round Plastic	Round Plastic
Pump Box	Plastic	Plastic
Adapter	Square	Square
Hydraulic Layout	PM-627	PM-628
Electrical Layout & Schematic	<p style="text-align: center;">PM-617 Built from 6-04 thru 7-08</p> <p style="text-align: center;">PM-617A Built from 7-08 thru 8-09</p> <p style="text-align: center;">PM-617B Built from 8-09</p>	<p style="text-align: center;">PM-618 Built from 6-04 thru 7-08</p> <p style="text-align: center;">PM-618A Built from 7-08 thru 10-08</p> <p style="text-align: center;">PM-618B Built from 10-08 thru 8-09</p> <p style="text-align: center;">PM-618C Built from 8-09</p>
Pump	PM-555	PM-556
Cylinder	PM-629	PM-629

Rev. 03 3/11

[Click here for list of liftgate serial numbers, organized by approximate ship dates.](#)

HYDRAULIC ASSEMBLY, GRAVITY DOWN
(All Years)



WALTCO LIFT CORP.
EZL-25, 30

REVISED: 8-1-09
E.O. 6251
REV. 04

PM-627

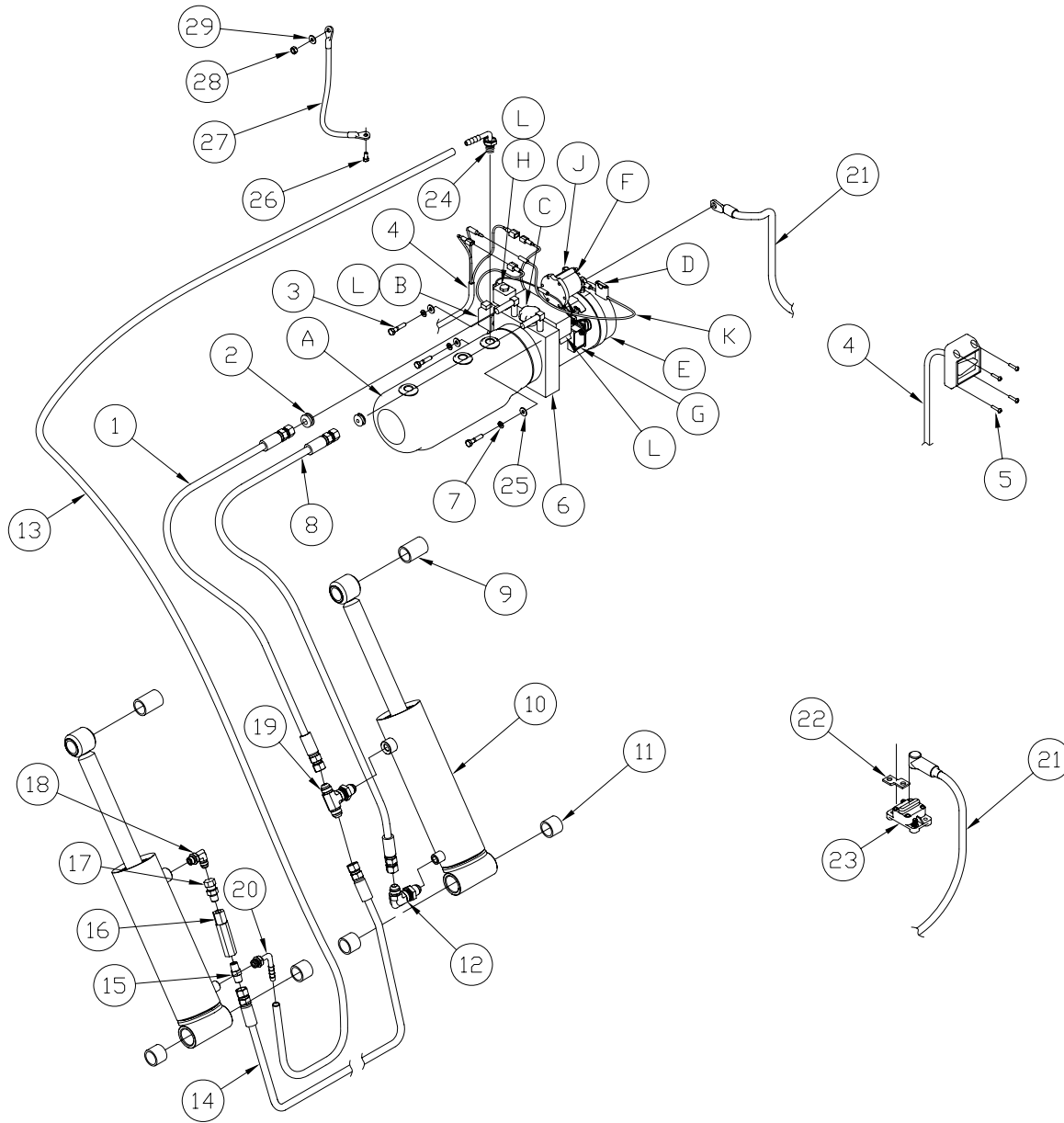
ITEM	PART NUMBER	QTY	DESCRIPTION
01	75083111	1	Hose Assembly, 3/8" i.d. x 33-1/2" long
02	75083023	2	Tube, Flexible PVC, 48" long
03	70401408	1	Grommet, 7/16" i.d.
04	75086212	3	Screw, Grade 8 Hex, 1/4"-20 x 1-1/4"
05	80000428	1	Switch with 10' Cord
06	75086860 ^a	4	Screw, Self Tapping, Phillips, #8-32 x 3/4"
07	70430320	1	Hydraulic Pump
A	70400001 ^c	1	Plastic Reservoir
B	70092503 ^c	1	Valve, 2-Way, 2 Position w/ Coil
C	70400004 ^c	1	Breather
D	75089853 ^c	1	5 Amp Fuse
E	7043001-1 ^c	1	Motor, 12V
F	75089833 ^c	1	Starter Solenoid, 12V
G	10099309 ^c	1	Inline Fuse Assembly (Includes Fuse 75089853)
H	75089834 ^c	1	Bus Bar
J	10099310 ^c	1	Wire Lead
K	70402303 ^c	1	Coil, 10V, 25A
08	75088079	3	Washer, Lock, 1/4" i.d.
09	70401409	1	Grommet, 1/4" i.d.
10	10099500	1	Terminal Link
11	75089243	1	150 Amp Circuit Breaker
12	10010144 ^b	2	Bearing, 1" i.d. x 1-3/4" long
13	23580010	2	Hydraulic Cylinder (incl. bearings)
14	85803391 ^b	4	Bearing, 1" i.d. x 1" long
15	75082747	1	Tee, 1/4" Barb x 1/4" NPT
16	10095625	1	Battery Cable Assembly, 2 Ga.
17	75083114	1	Hose Assembly, 3/8" i.d. x 57" long
18	85803804	1	Adapter, 3/8" M JIC to 1/4" M NPT
19	70110040	1	Pressure Compensator Valve
20	75082871	1	Adapter, 1/4" NPT M to 9/16", 37° F
21	75082869	1	Elbow 90°, 9/16"-18 37° M to 9/16"-18 "O"
22	75082887	1	Tee, 9/16" JIC x 9/16" SAE O-Ring
23	75082745	1	Barbed Fitting, 1/4" NPTF x 1/4"
24	75088051	3	Washer, 1/4" I.D. x 5/8" O.D.
25	90185850 ^c	1	Screw, 5/16-18 x 1/2"
26	10098425 ^c	1	Ground Cable
27	75085003	1	Nut, 5/6-18 Serrated
28	75088052	1	Washer, 5/16" I.D. x 7/8" O.D.

^a Included in Switch kit 80000428

^b Included in Bearing Replacement kit 80004693

^c Included in Pump Assembly [70430320](#)

HYDRAULIC ASSEMBLY, POWER DOWN
(All Years)



WALTCO LIFT CORP.
EZL-25, 30

REVISED: 8-1-09
E.O. 6251
REV. 04

PM-628

ITEM	PART NUMBER	QTY	DESCRIPTION
01	75083111	1	Hose Assembly, 3/8" I.D. x 33-1/2" long
02	70401408	2	Grommet, 7/16" I.D.
03	75086212	3	Screw, Grade 8 Hex, 1/4"-20 x 1-1/4"
04	80000428	1	Switch with 10' Cord
05	75086860 ^a	4	Screw, Self Tapping, Phillips, #8-32 x 3/4"
06	70430430	1	Hydraulic Pump, Power Down
A	70400001 ^c	1	Plastic Reservoir
B	70400014 ^c	1	Valve, 4-Way, 2 Position w/ Coil
C	70400004 ^c	1	Breather
D	75089853 ^c	1	5 Amp Fuse
E	7043001-1 ^c	1	Motor, 12V
F	75089833 ^c	1	Starter Solenoid, 12V
G	80001032 ^c	1	Power Down Module
H	70092503 ^c	1	Valve, 2-Way, 2 Position w/ Coil
J	75089834 ^c	1	Bus Bar
K	10099309 ^c	1	Inline Fuse Assembly (Includes Fuse 75089853)
L	70402303 ^c	2	Coil, 10V, 25A
07	75088079	3	Washer, Lock, 1/4" I.D.
08	75083200	1	Hose Assembly, 1/4" I.D. x 45" long
09	10010144 ^b	2	Bearing, 1" I.D. x 1-3/4" long
10	23580010	2	Hydraulic Cylinder (incl. bearings)
11	85803391 ^b	4	Bearing, 1" I.D. x 1" long
12	75083210	1	Elbow, 7/16" JIC x 1/4" NPT
13	75083022	1	Tube, Flexible PVC, 90" long
14	75083114	1	Hose Assembly, 3/8" I.D. x 57" long
15	75083309	1	Adapter, 3/8" M JIC to 1/4" M NPT
16	70110040	1	Pressure Compensator Valve
17	75082871	1	Adapter, 1/4" NPT M to 9/16", 37° F
18	75082869	1	Elbow 90°, 9/16"-18 37° M to 9/16"-18 "O"
19	75082887	1	Tee, 9/16" JIC x 9/16" SAE O-Ring
20	75082745	1	Elbow, 1/4" NPT x 1/4" Barbed
21	10195625	1	Battery Cable Assembly, 2 Ga.
22	10099500	1	Terminal Link
23	75089243	1	150 Amp Circuit Breaker
24	75082742	1	Elbow, 3/8" NPT x 1/4" Barbed
25	75088051	3	Washer, 1/4" I.D. x 5/8" O.D.
26	90185850 ^c	1	Screw, 5/16-18 x 1/2"

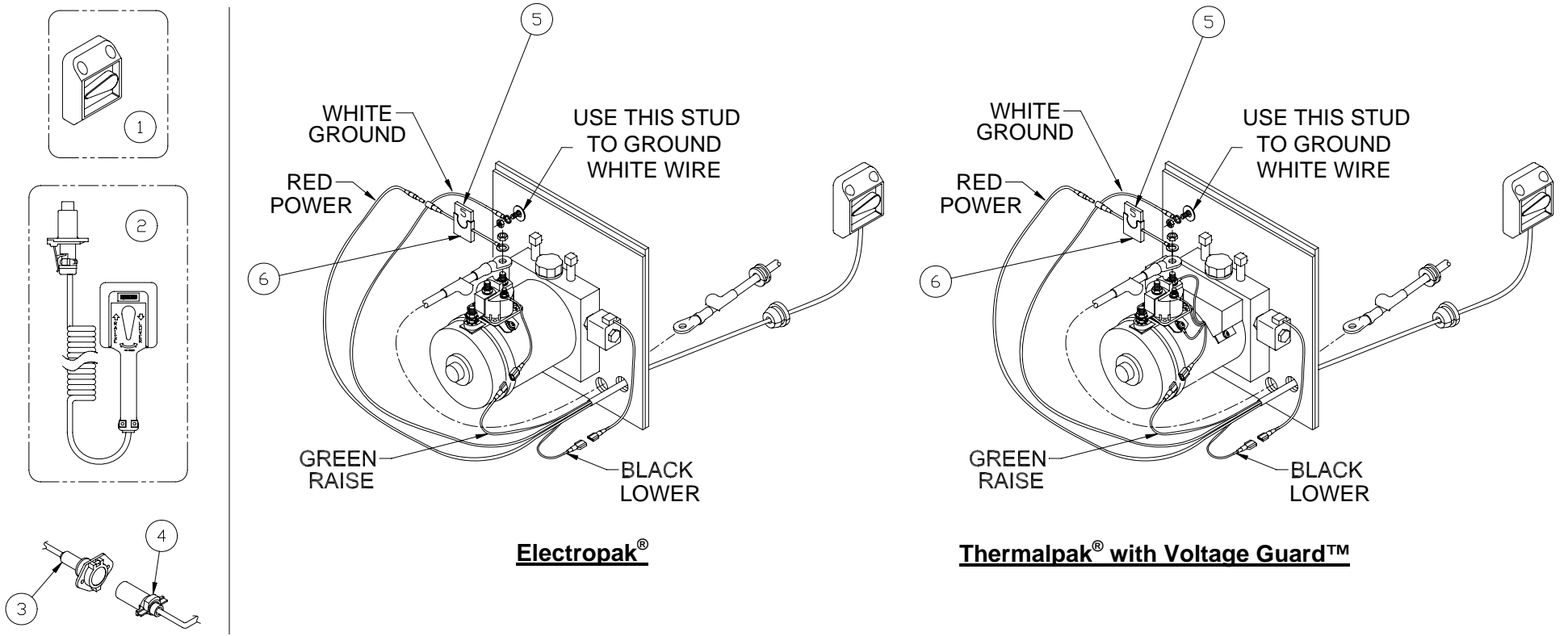
ITEM	PART NUMBER	QTY	DESCRIPTION
27	10098425 ^c	1	Ground Cable
28	75085003	1	Nut, 5/6-18 Serrated
29	75088052	1	Washer, 5/16" I.D. x 7/8" O.D.

^a Included in Super Switch kit 80000428

^b Included in Bearing Replacement kit 80004693

^c Included in Pump Assembly 70430430

ELECTRIC CONTROL OPTIONS – Gravity Down
(Built thru 7-08)



WALTCO
TRUCK EQUIPMENT CO.

REVISED: 5-7-04
E.O. 5337G
REV. 03

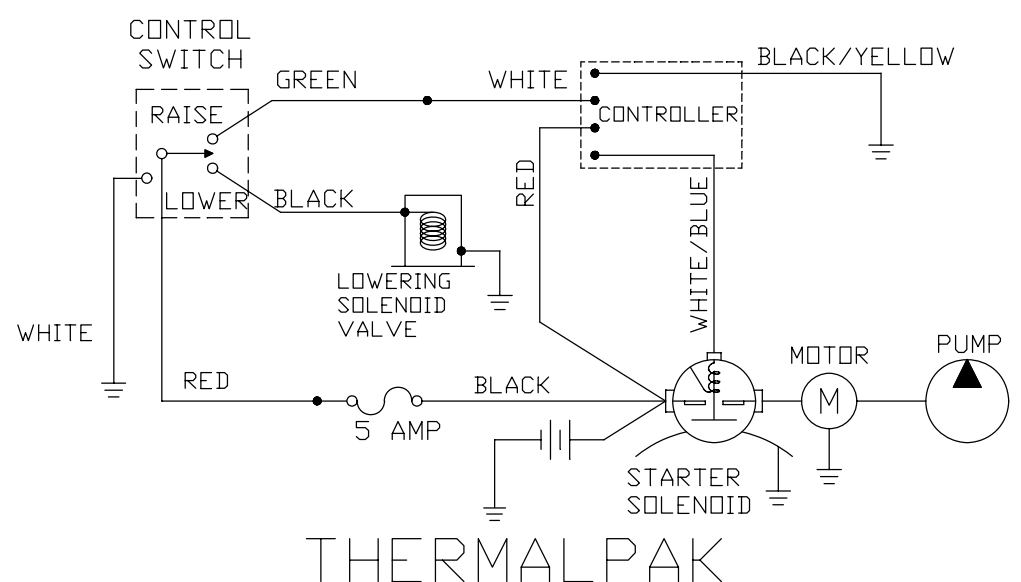
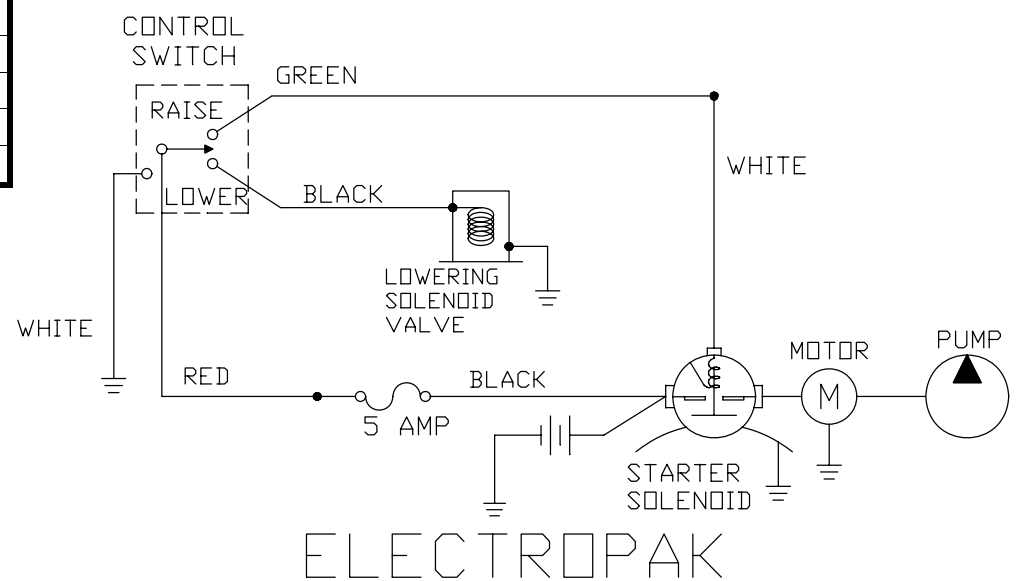
PM-617

ITEM	PART NUMBER	QTY	DESCRIPTION
1	10099322 ^a	1	SuperSwitch™ (for curb side)
	10099323 ^b	1	SuperSwitch™ (for Dual Control Harness)
2	10099325 ^c	1	SuperSwitch™ (Hand Held Remote)
3	75082038	1	Trailer Socket
4	75082037	1	Trailer Plug
5	75089853	1	5 Amp Fuse
6	75089850	1	Fuse Holder

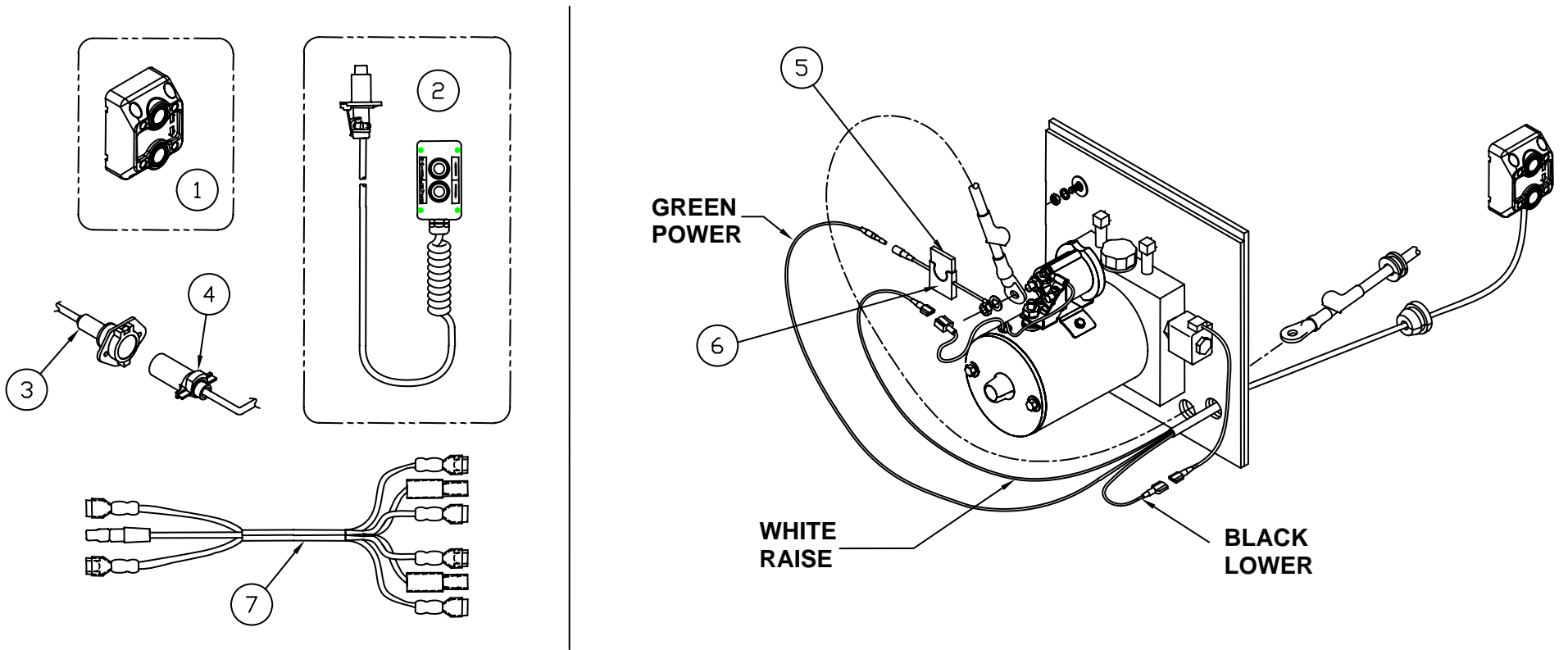
^a Included in SuperSwitch™ Kit 80000428.

^b Included in SuperSwitch™ Dual Control Kit 80000434.

^c Included in SuperSwitch™ Hand Held Remote Kit 80000430.



ELECTRIC CONTROL OPTIONS – Gravity Down
 (Built from 7-08 thru 8-09)



WALTCO LIFT CORP.

REVISED: 7-1-08
 E.O. 6046
 REV. 01

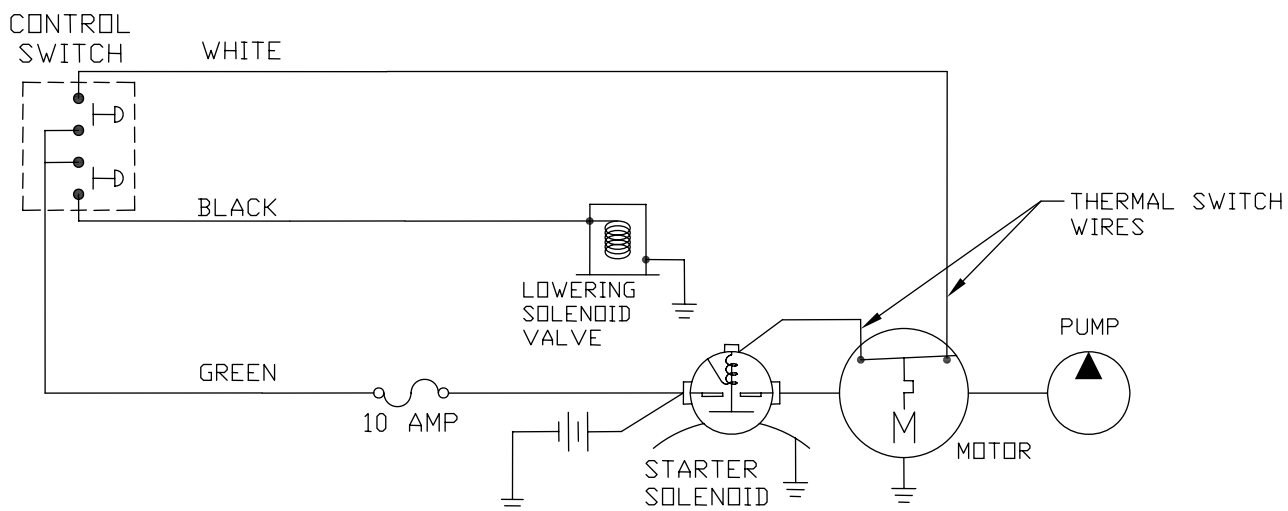
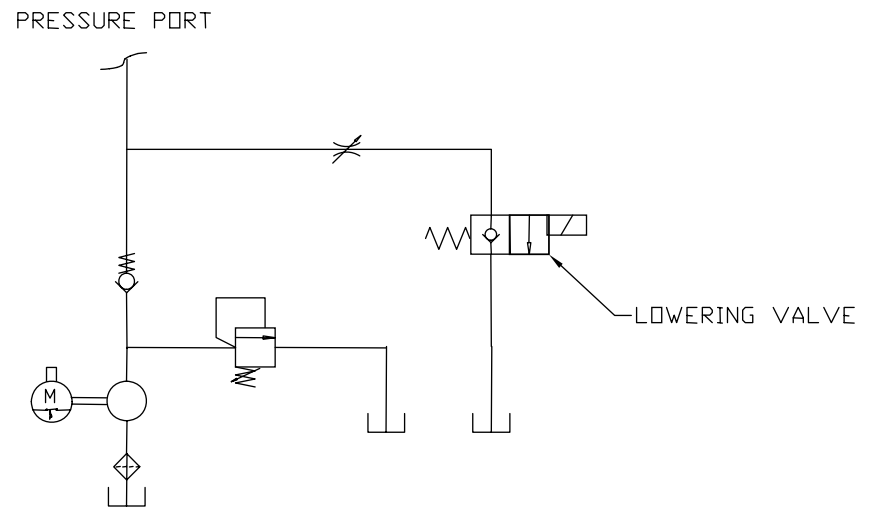
PM-617A

	PART NUMBER	QTY	DESCRIPTION
1	10099322 ^a	1	Switch w/10ft Cord (for curb side)
	10099323 ^b	1	Switch w/15ft Cord (for Dual Control)
2	10099325 ^c	1	Switch (Hand Held Remote)
3	75082038	1	Trailer Socket
4	75082037	1	Trailer Plug
5	75089851	1	10 Amp Fuse
6	75089850	1	Fuse Holder
7	10098413	1	Dual Control Harness

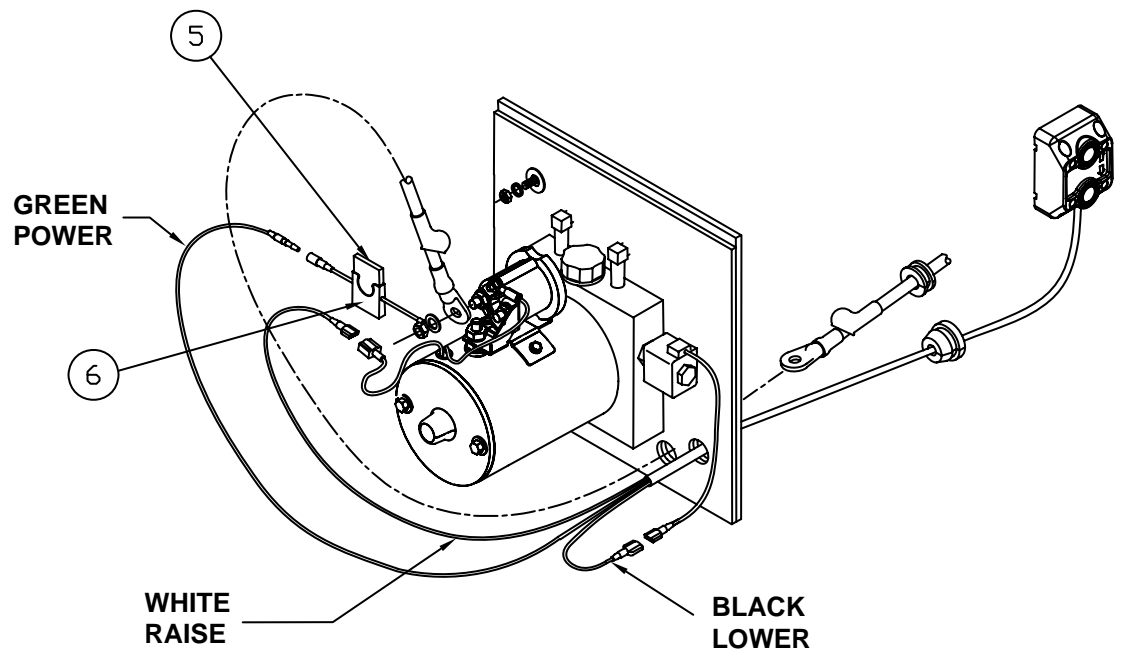
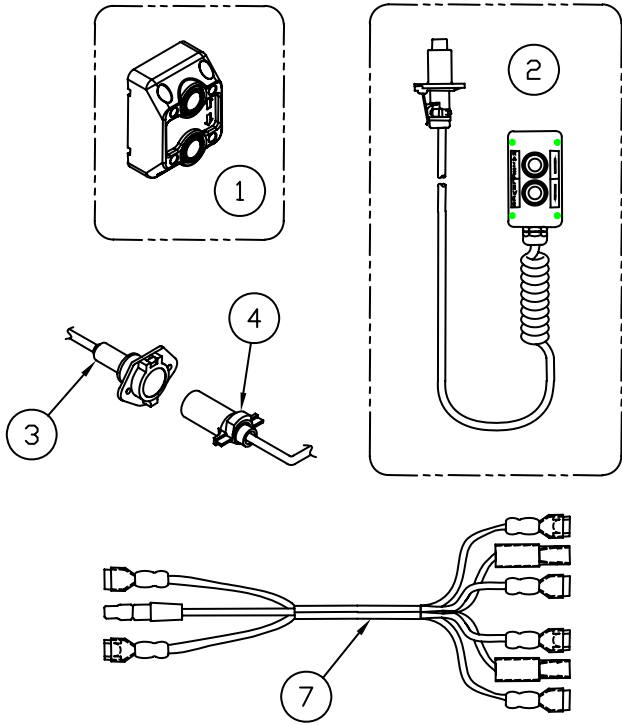
^a Included in Switch Kit 80000428.

^b Included in Switch Dual Control Kit 80000434.

^c Included in Switch Hand Held Remote Kit 80000430.



ELECTRIC CONTROL OPTIONS – GRAVITY DOWN
(Built from 8-09)



WALTCO LIFT CORP.

REVISED: 12-17-09
E.O. 6339
REV. 02

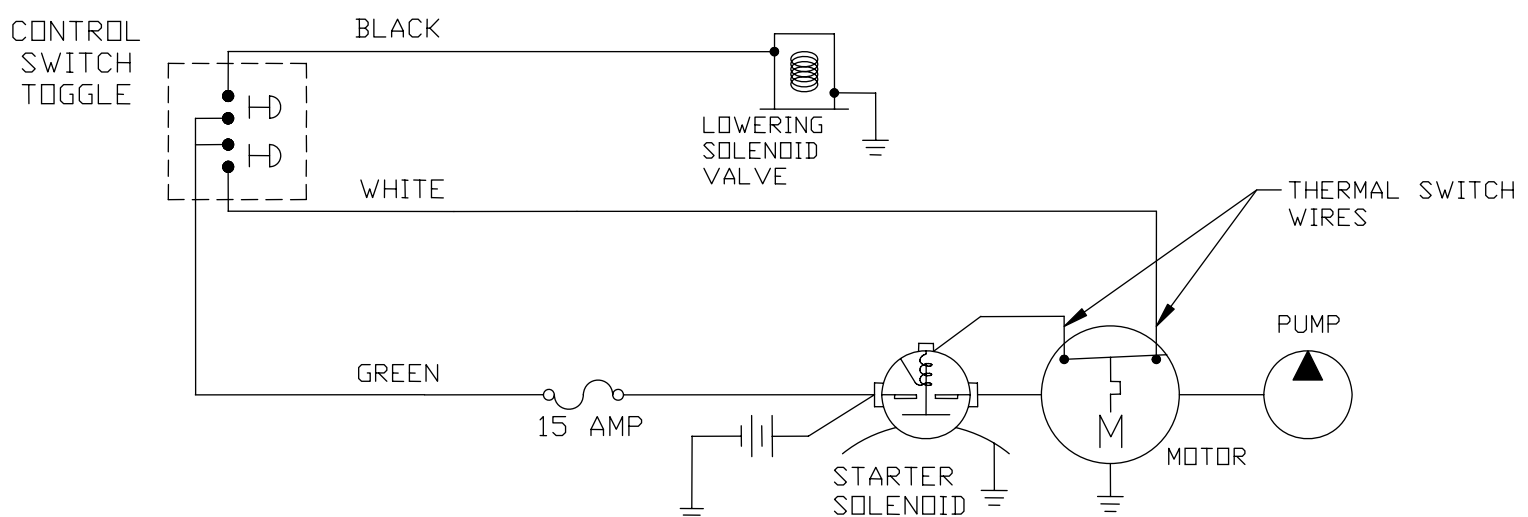
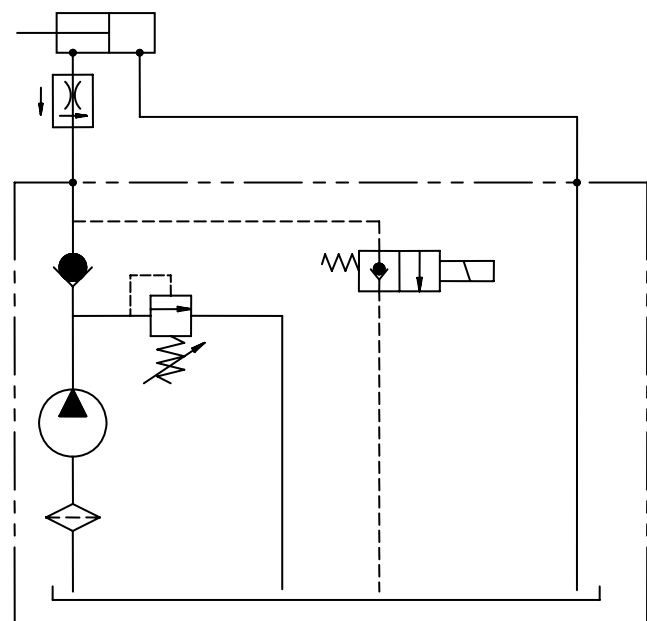
PM-617B

	PART NUMBER	QTY	DESCRIPTION
1	10099322 ^a	1	Switch w/10ft Cord (for curb side)
	10099323 ^b	1	Switch w/15ft Cord (for Dual Control)
2	10099325 ^c	1	Switch (Hand Held Remote)
3	75082038	1	Trailer Socket
4	75082037	1	Trailer Plug
5	75089854	1	15 Amp Fuse
6	75089850	1	Fuse Holder
7	10098413	1	Dual Control Harness

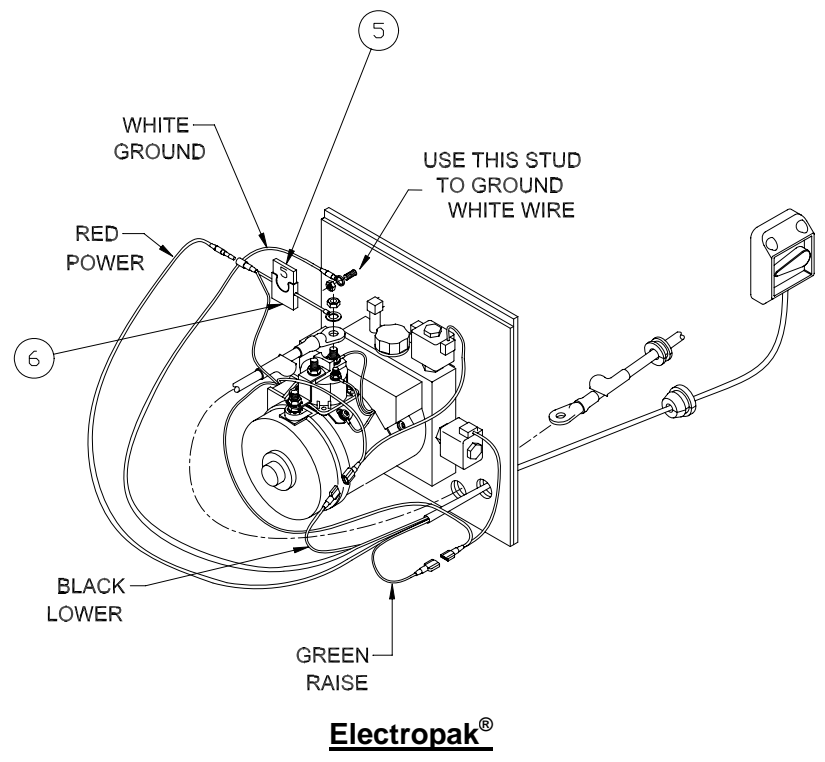
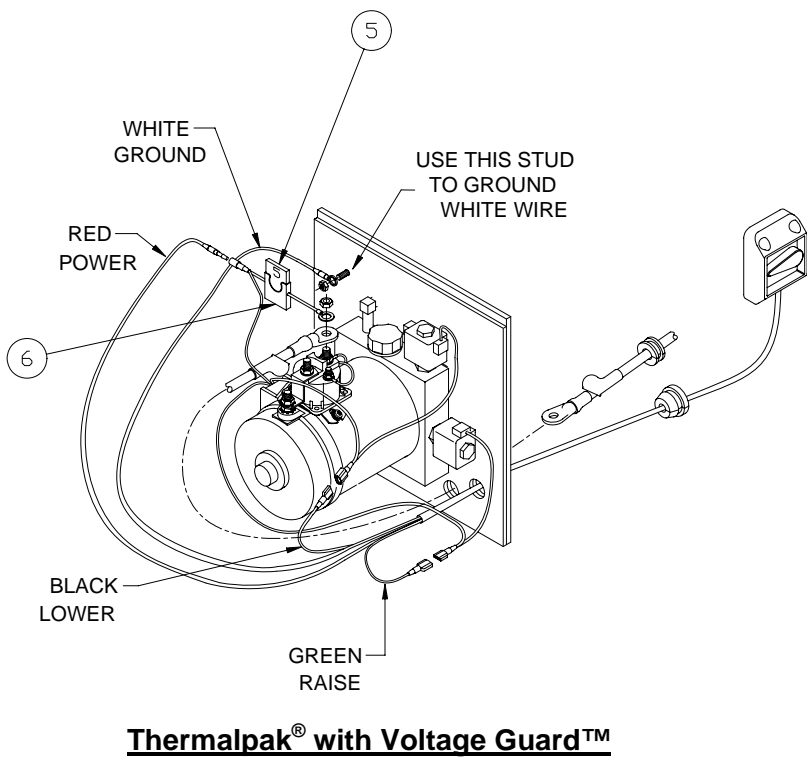
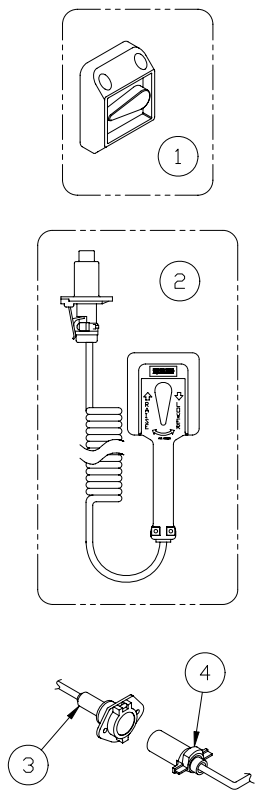
^a Included in Switch Kit 80000428.

^b Included in Switch Dual Control Kit 80000434.

^c Included in Switch Hand Held Remote Kit 80000430.



ELECTRIC CONTROL OPTIONS – Power Down
(Built thru 7-08)



WALTCO
TRUCK EQUIPMENT CO.

REVISED: 12-1-03
E.O. 5221
REV. 01

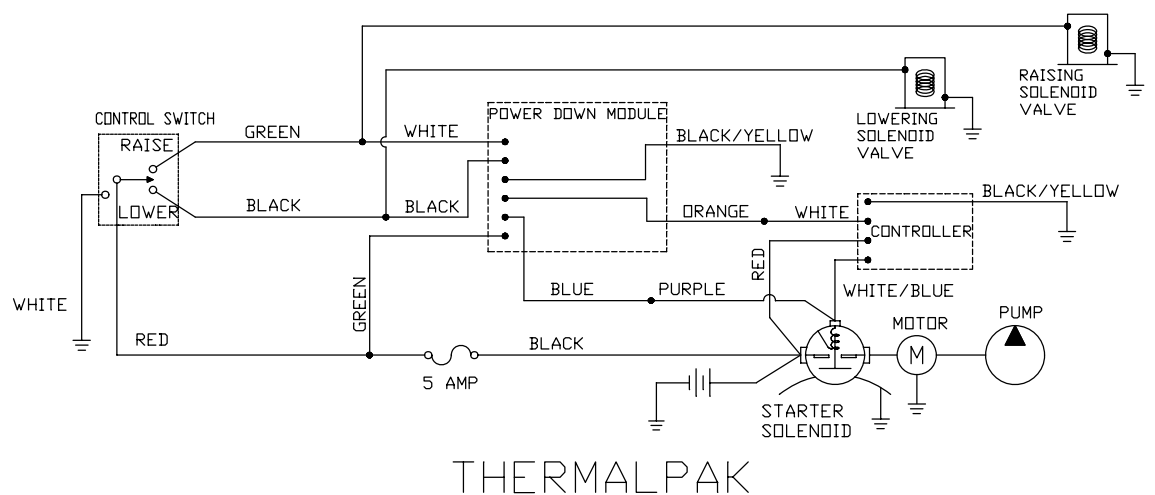
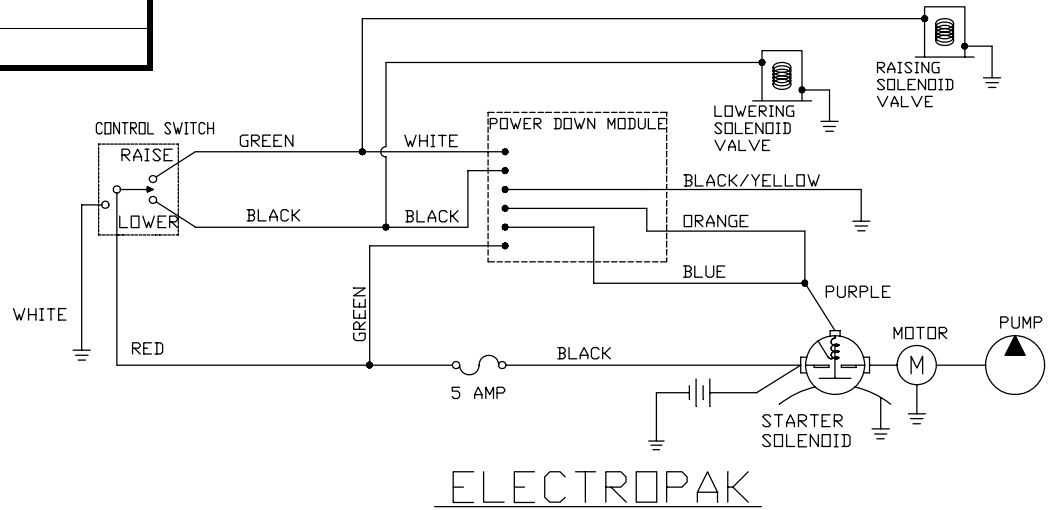
PM-618

ITEM	PART NUMBER	QTY	DESCRIPTION
1	10099322 ^a	1	SuperSwitch™ (for curb side)
	10099323 ^b	1	SuperSwitch™ (for Dual Control Harness)
2	10099325 ^c	1	SuperSwitch™ (Hand Held Remote)
3	75082038	1	Trailer Socket
4	75082037	1	Trailer Plug
5	75089853	1	5 Amp Fuse
6	75089850	1	Fuse Holder

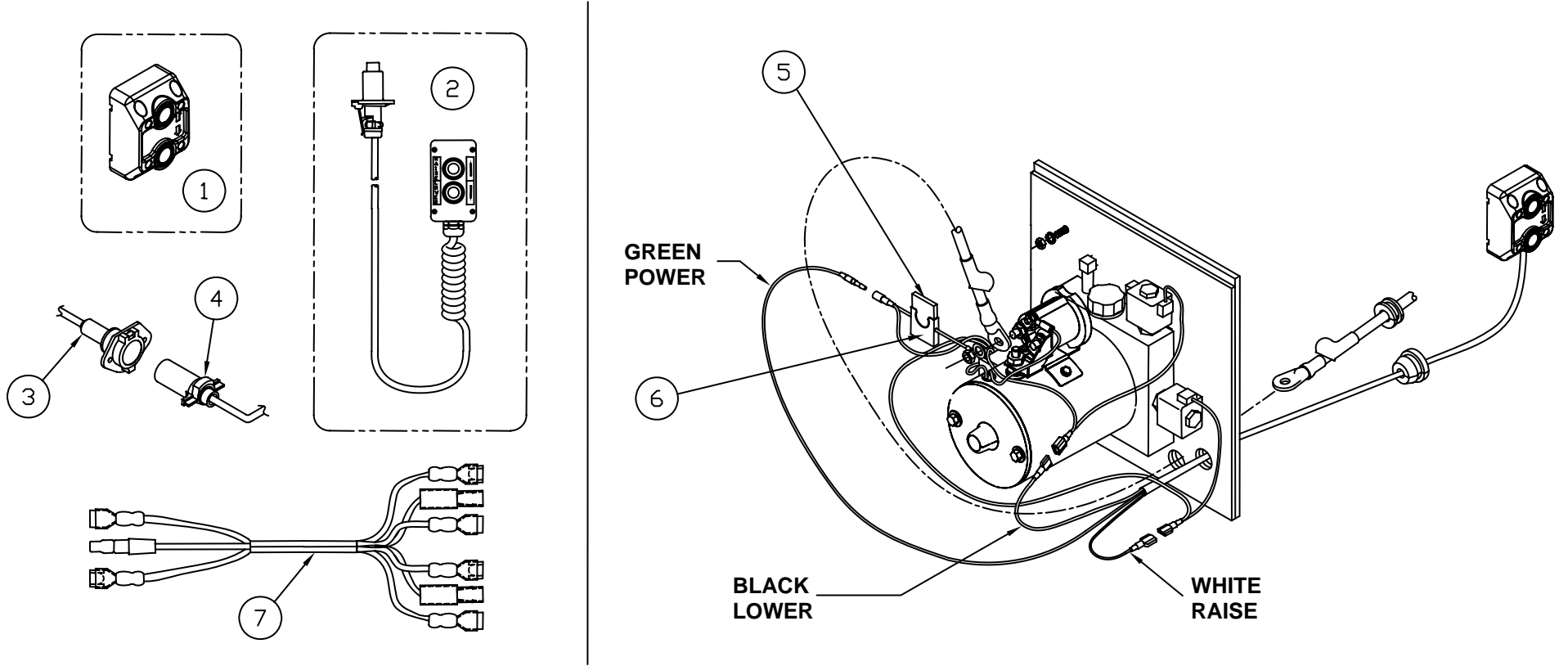
^a Included in SuperSwitch™ Kit 80000428.

^b Included in SuperSwitch™ Dual Control Kit 80000434.

^c Included in SuperSwitch™ Hand Held Remote Kit 80000430.



ELECTRIC CONTROL OPTIONS – Power Down
(Built 7-08 thru 10-08)



WALTCO LIFT CORP.

REVISED: 7-1-08
E.O. 6046
REV. 01

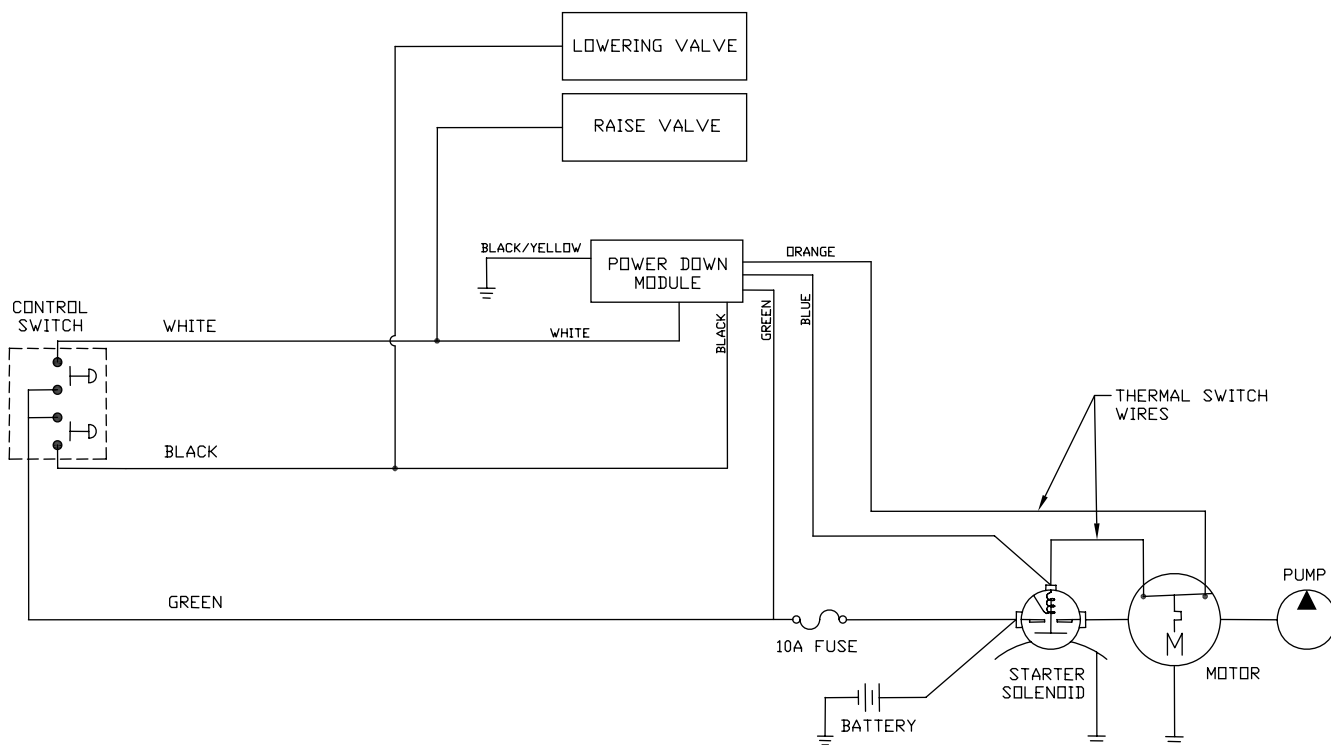
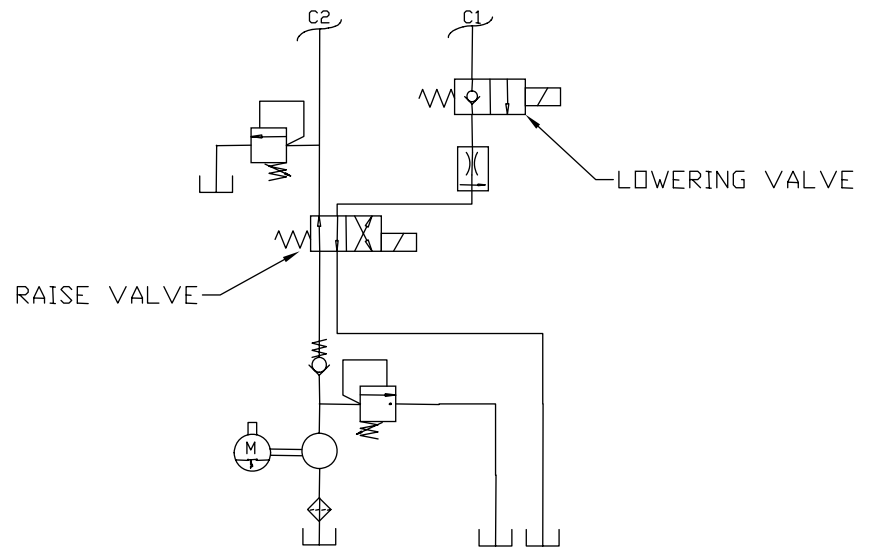
PM-618A

ITEM	PART NUMBER	QTY	DESCRIPTION
1	10099322 ^a	1	Switch w/10ft Cord (for curb side)
	10099323 ^b	1	Switch w/15ft Cord (for Dual Control)
2	10099325 ^c	1	Switch (Hand Held Remote)
3	75082038	1	Trailer Socket
4	75082037	1	Trailer Plug
5	75089851	1	10 Amp Fuse
6	75089850	1	Fuse Holder
7	10098413	1	Dual Control Harness

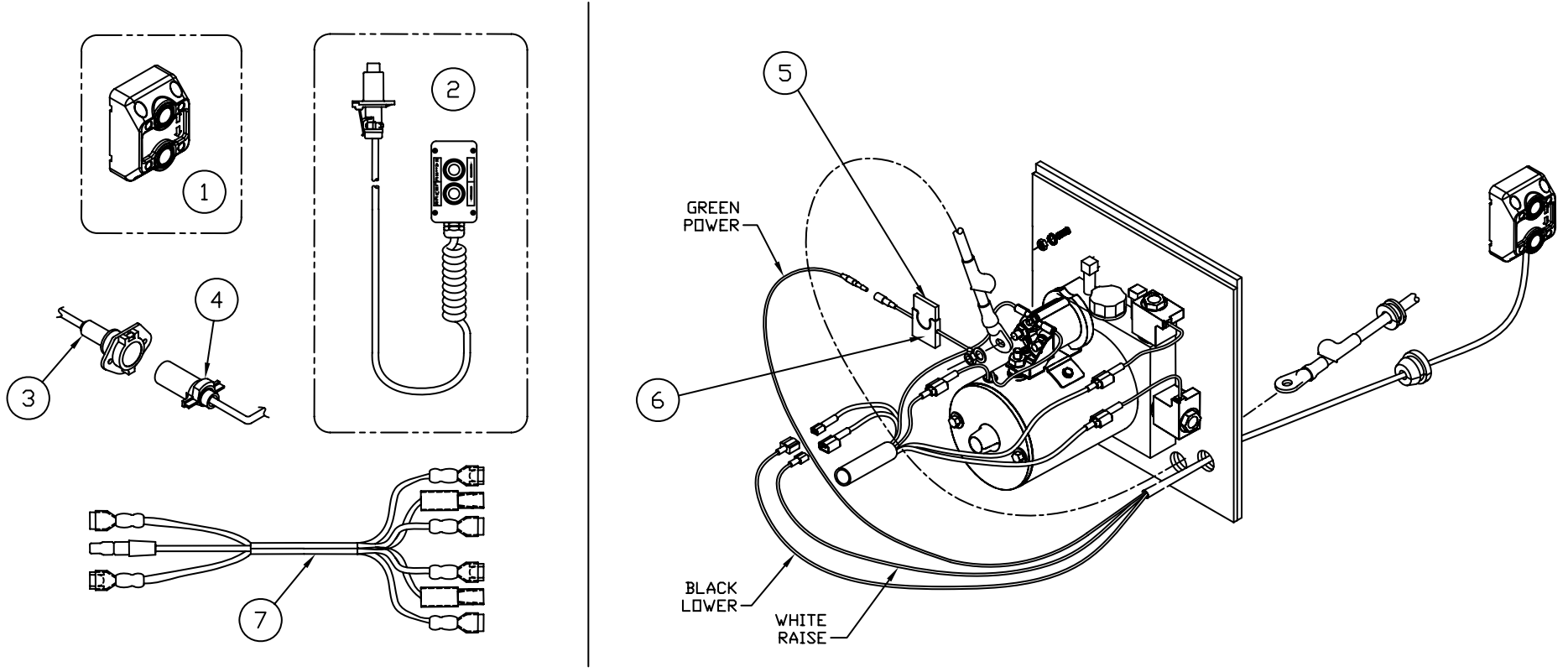
^a Included in Switch™ Kit 80000428.

^b Included in Switch™ Dual Control Kit 80000434.

^c Included in Switch™ Hand Held Remote Kit 80000430.



ELECTRIC CONTROL OPTIONS – Power Down
 (Built from 10-08 thru 8-09)



WALTCO LIFT CORP.

REVISED: 9-26-08
 E.O. 6076A
 REV. 01

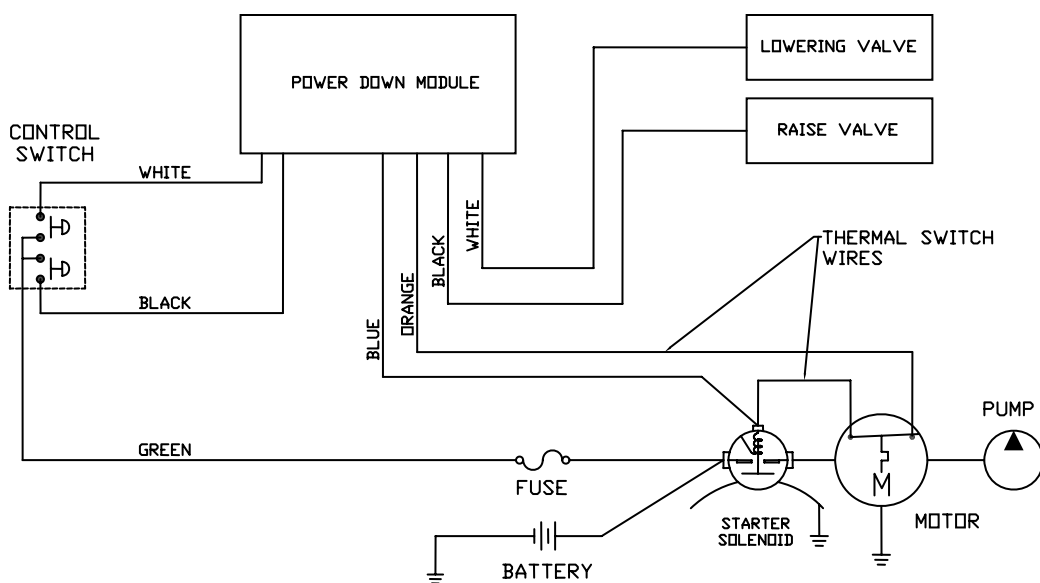
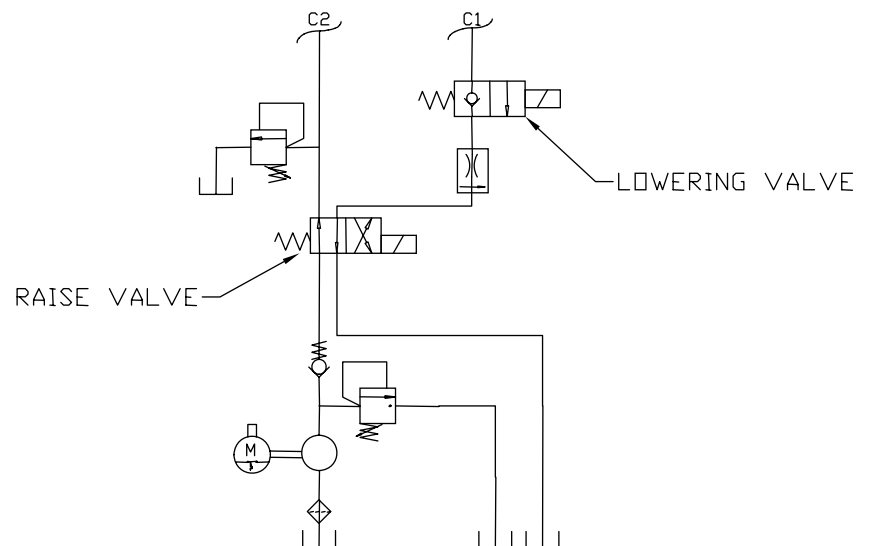
PM-618B

ITEM	PART NUMBER	QTY	DESCRIPTION
1	10099322 ^a	1	Switch w/10ft Cord (for curb side)
	10099323 ^b	1	Switch w/15ft Cord (for Dual Control)
2	10099325 ^c	1	Switch (Hand Held Remote)
3	75082038	1	Trailer Socket
4	75082037	1	Trailer Plug
5	75089853	1	5 Amp Fuse
6	10099309	1	Fuse Holder
7	10098413	1	Dual Control Harness

^a Included in Switch™ Kit 80000428.

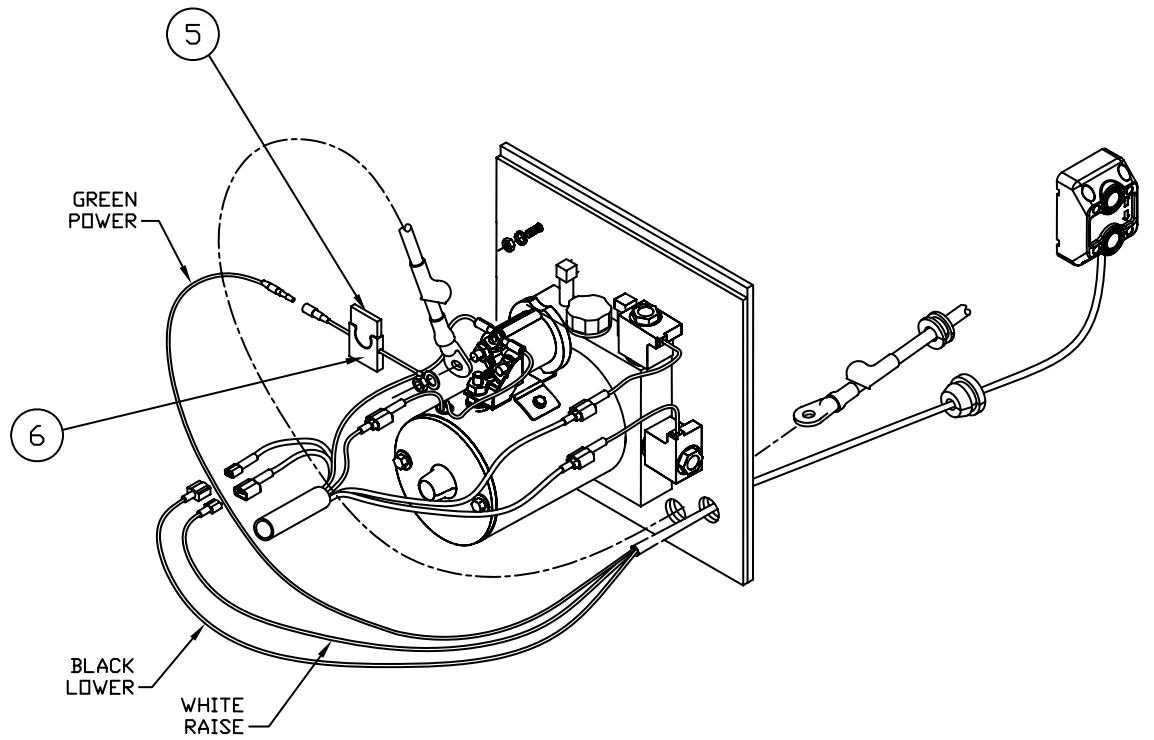
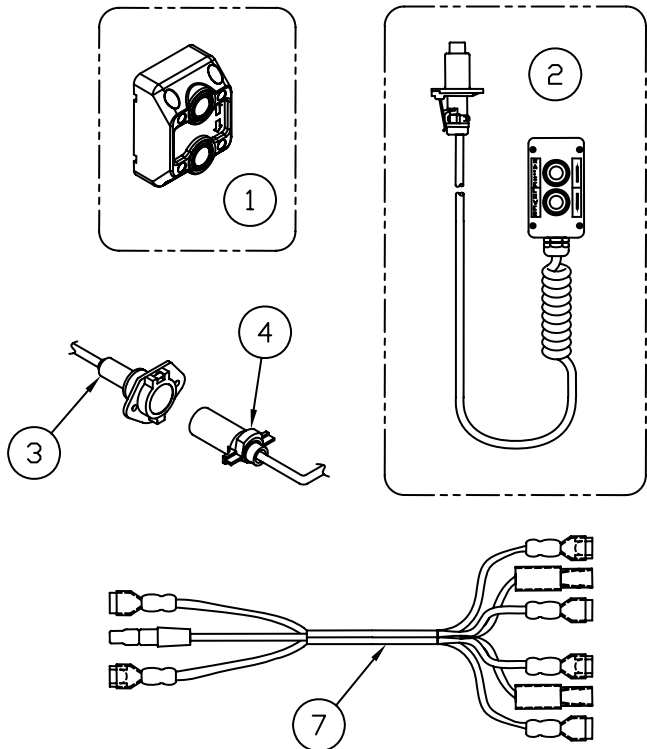
^b Included in Switch™ Dual Control Kit 80000434.

^c Included in Switch™ Hand Held Remote Kit 80000430.



ELECTRIC CONTROL OPTIONS – POWER DOWN

(Built from 8-09)



WALTCO LIFT CORP.

REVISED: 12-11-09
E.O. 6339
REV. 02

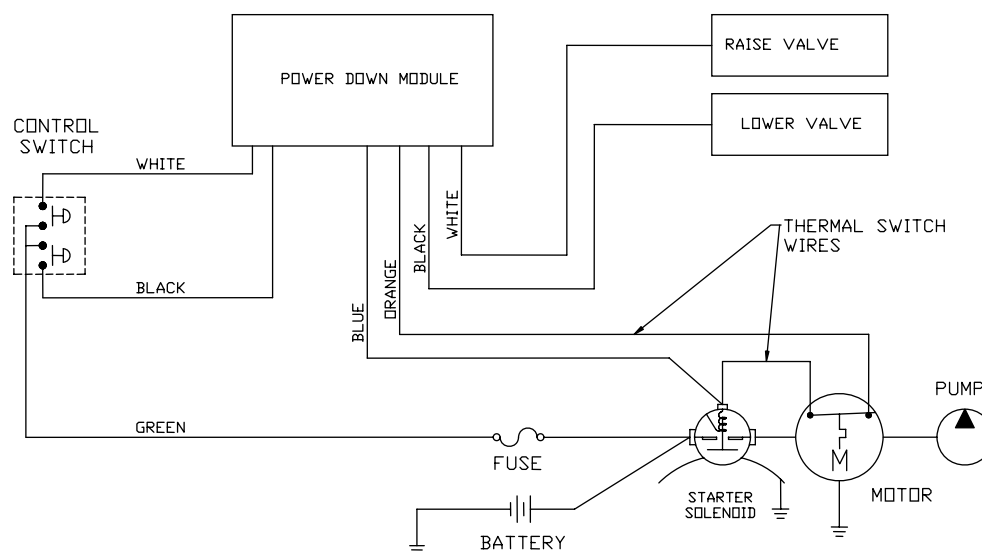
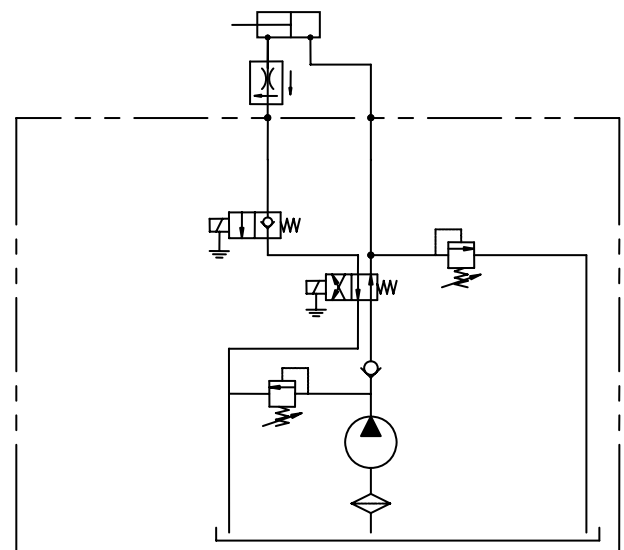
PM-618C

ITEM	PART NUMBER	QTY	DESCRIPTION
1	10099322 ^a	1	Switch w/10ft Cord (for curb side)
	10099323 ^b	1	Switch w/15ft Cord (for Dual Control)
2	10099325 ^c	1	Switch (Hand Held Remote)
3	75082038	1	Trailer Socket
4	75082037	1	Trailer Plug
5	75089854	1	15 Amp Fuse
6	10099309	1	Fuse Holder
7	10098413	1	Dual Control Harness

^a Included in Switch™ Kit 80000428.

^b Included in Switch™ Dual Control Kit 80000434.

^c Included in Switch™ Hand Held Remote Kit 80000430.





Schematics

EZL Series Electrical Schematics

[Gravity Down Electrical Schematic](#)
(Built from 6-04 thru 7-08)

[Gravity Down Electrical Schematic](#)
(Built from 7-08)

[Power Down Electrical Schematic](#)
(Built from 6-04 thru 7-08)

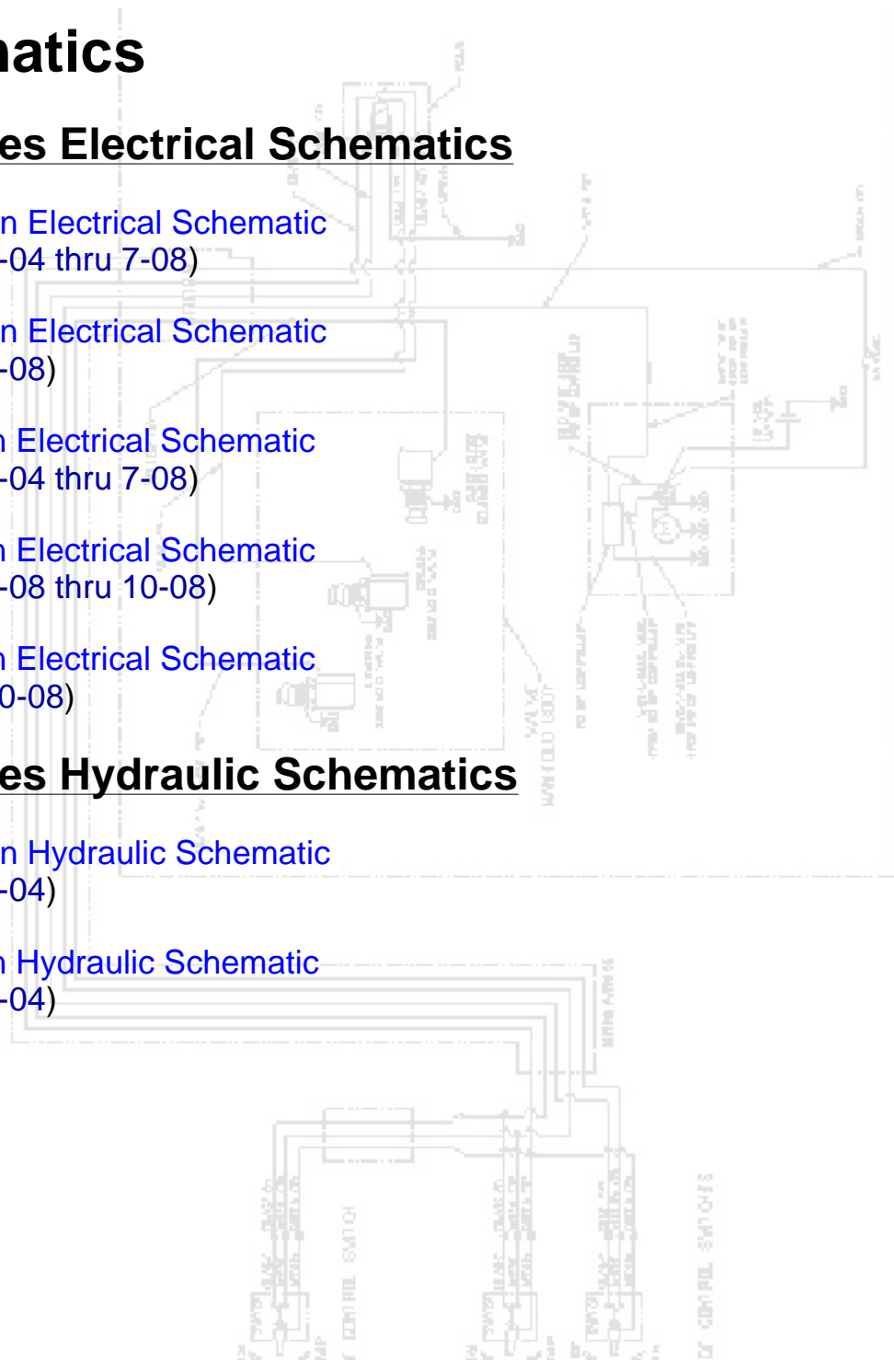
[Power Down Electrical Schematic](#)
(Built from 7-08 thru 10-08)

[Power Down Electrical Schematic](#)
(Built from 10-08)

EZL Series Hydraulic Schematics

[Gravity Down Hydraulic Schematic](#)
(Built from 6-04)

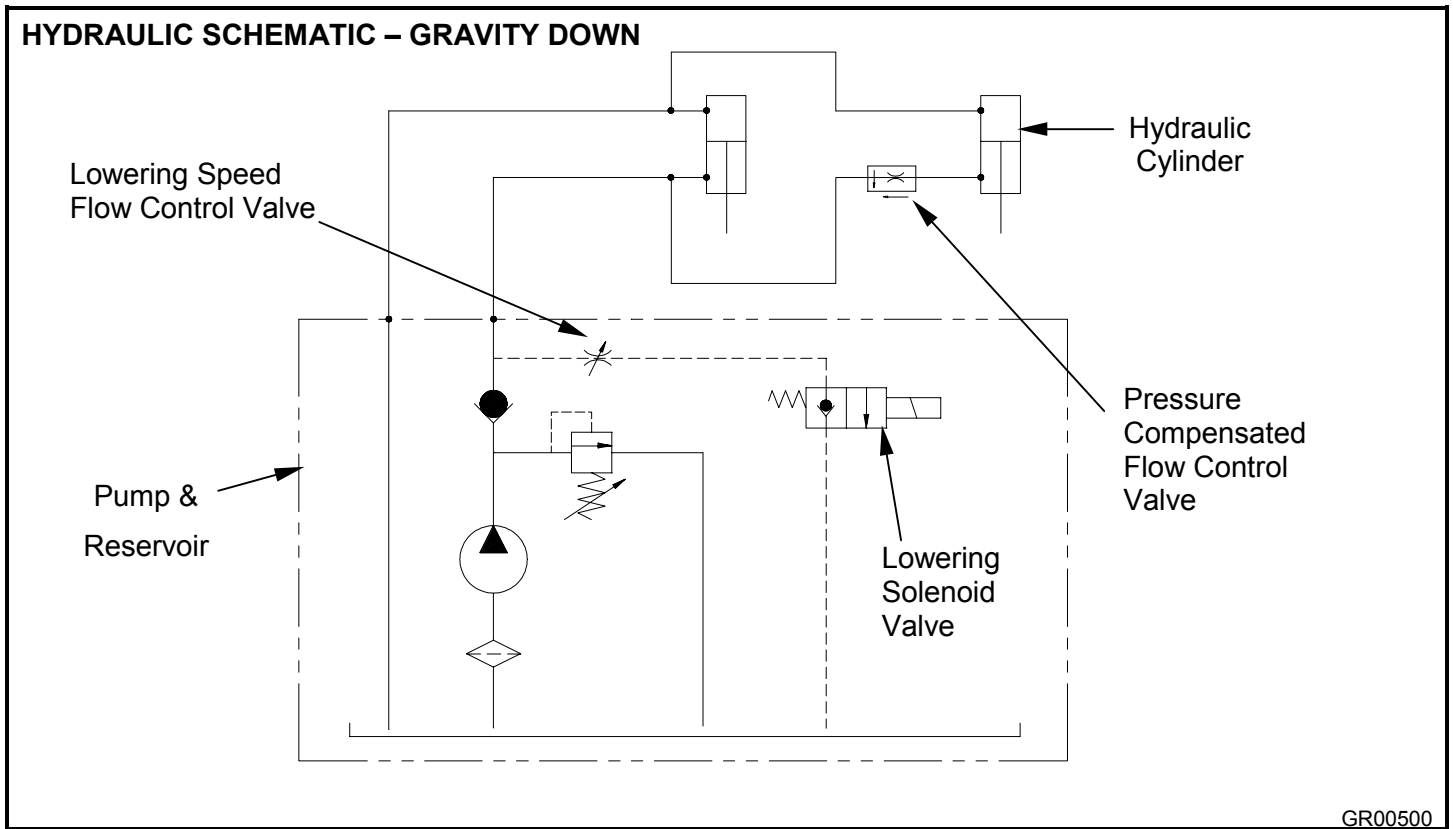
[Power Down Hydraulic Schematic](#)
(Built from 6-04)



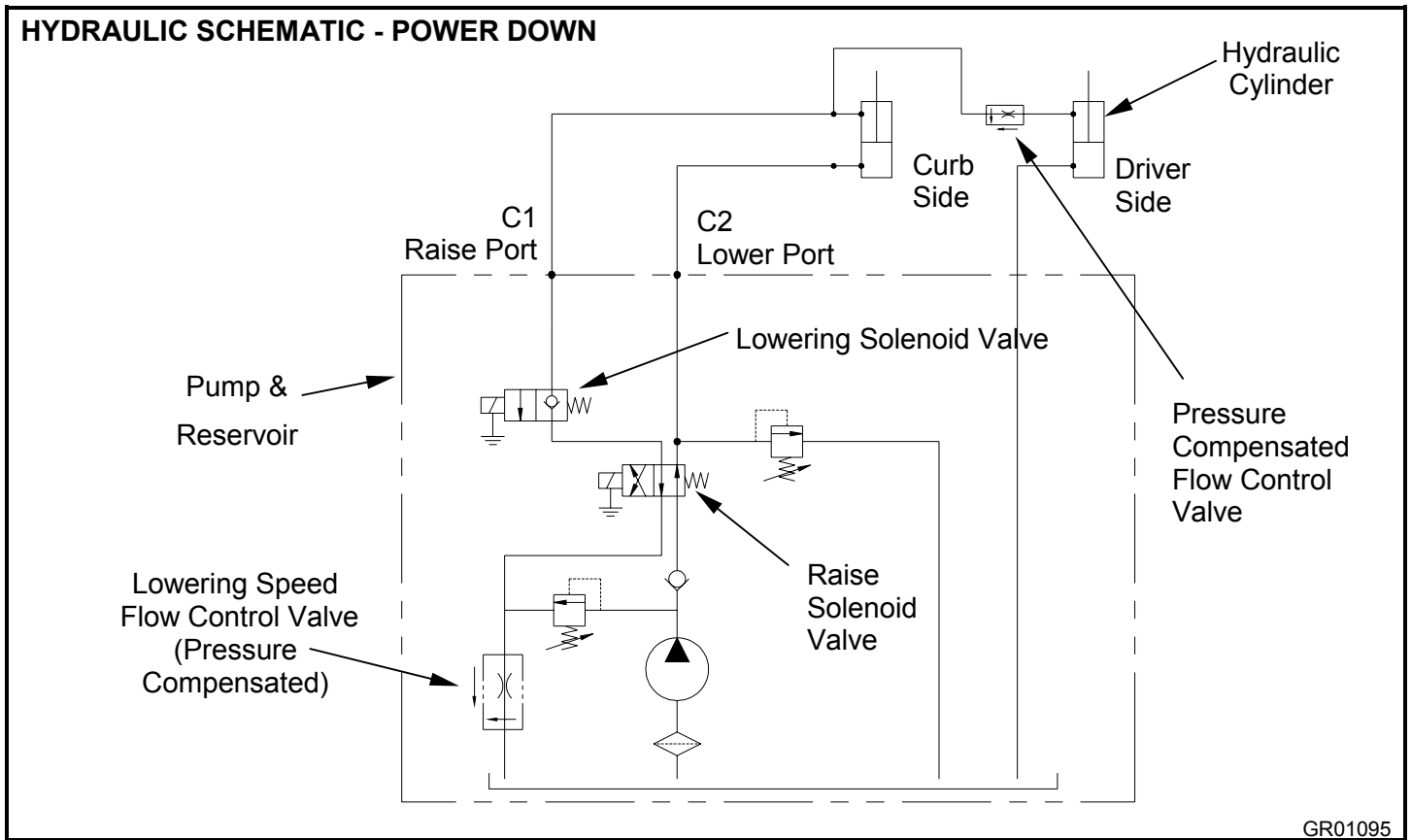
[Click here for a list of liftgate serial numbers, organized by approximate ship dates.](#)

EZL Series

EZL SERIES GRAVITY DOWN HYDRAULIC SCHEMATIC - Built from 6-04



EZL SERIES POWER DOWN HYDRAULIC SCHEMATIC - Built from 6-04



EZL-SERIES PUMPS & CYLINDER Parts Drawings

If unsure of the correct pump or cylinder part number, [click here](#).

QUICK TIP:

Most pumps have a pump pressure decal on them that also includes the pump part number. This number will always be an 8-digit part number. If still unsure, please contact Waltco for assistance.

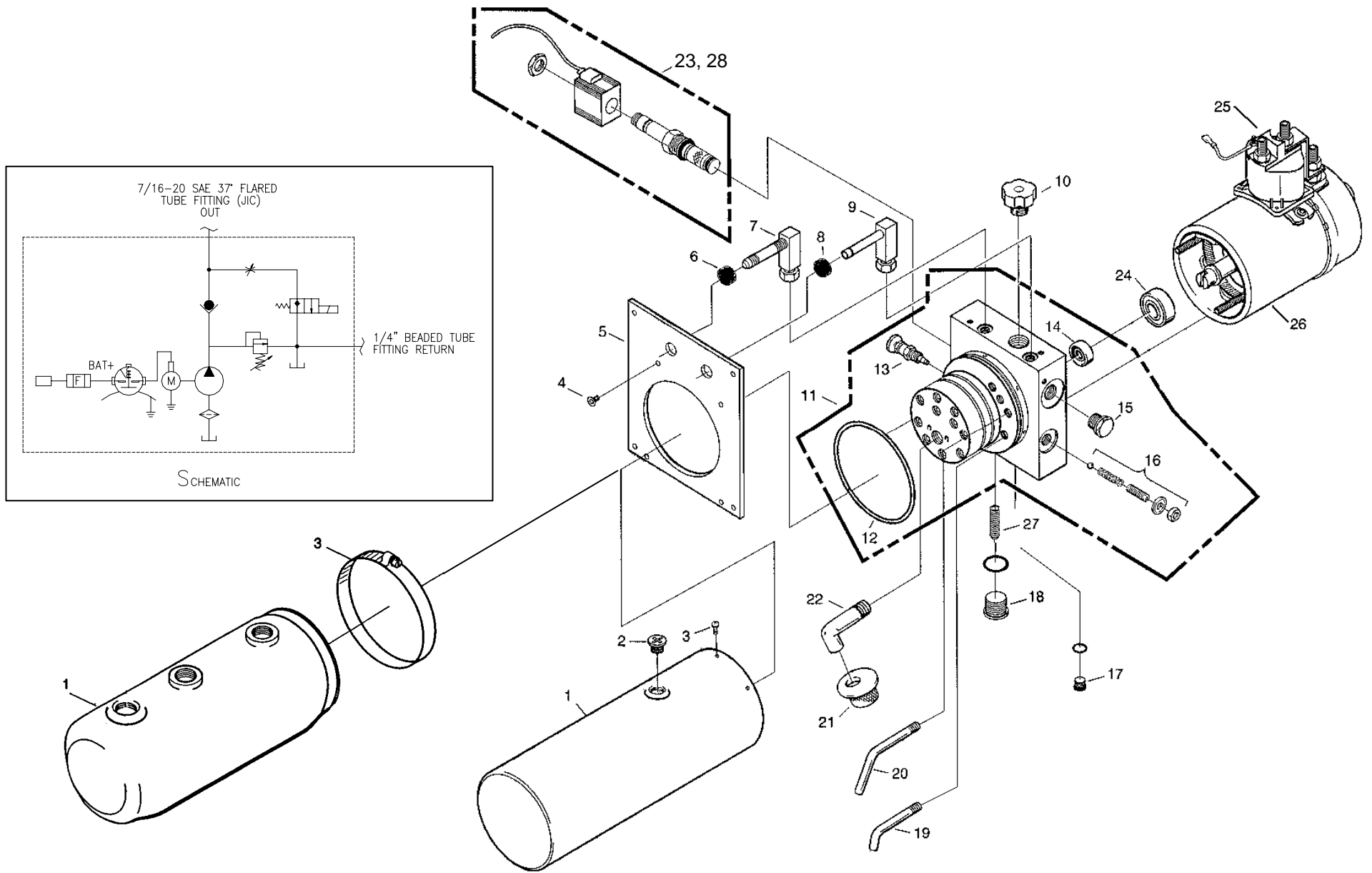
CYLINDERS

Part Number	Description	PM No.
23580010	Lift Cylinder	PM-629

HYDRAULIC PUMPS

Part Number	Description	Pump Mfr.	PM No.
70401900	Hydraulic Pump Assembly	Monarch	PM-555
70401925	Hydraulic Pump Assembly	Monarch	PM-556
70401950	Hydraulic Pump Assembly	Monarch	PM-555
70401975	Hydraulic Pump Assembly	Monarch	PM-556
70430320	Hydraulic Pump Assembly	Monarch	PM-555
70430430	Hydraulic Pump Assembly	Monarch	PM-556

**70401400, 70401450, 70401700, 70401750, 70401900, 70401950, 70430320 GRAVITY DOWN ELECTROPAK
(All Years)**



WALTCO
TRUCK EQUIPMENT CO.
F, C, E, EZL

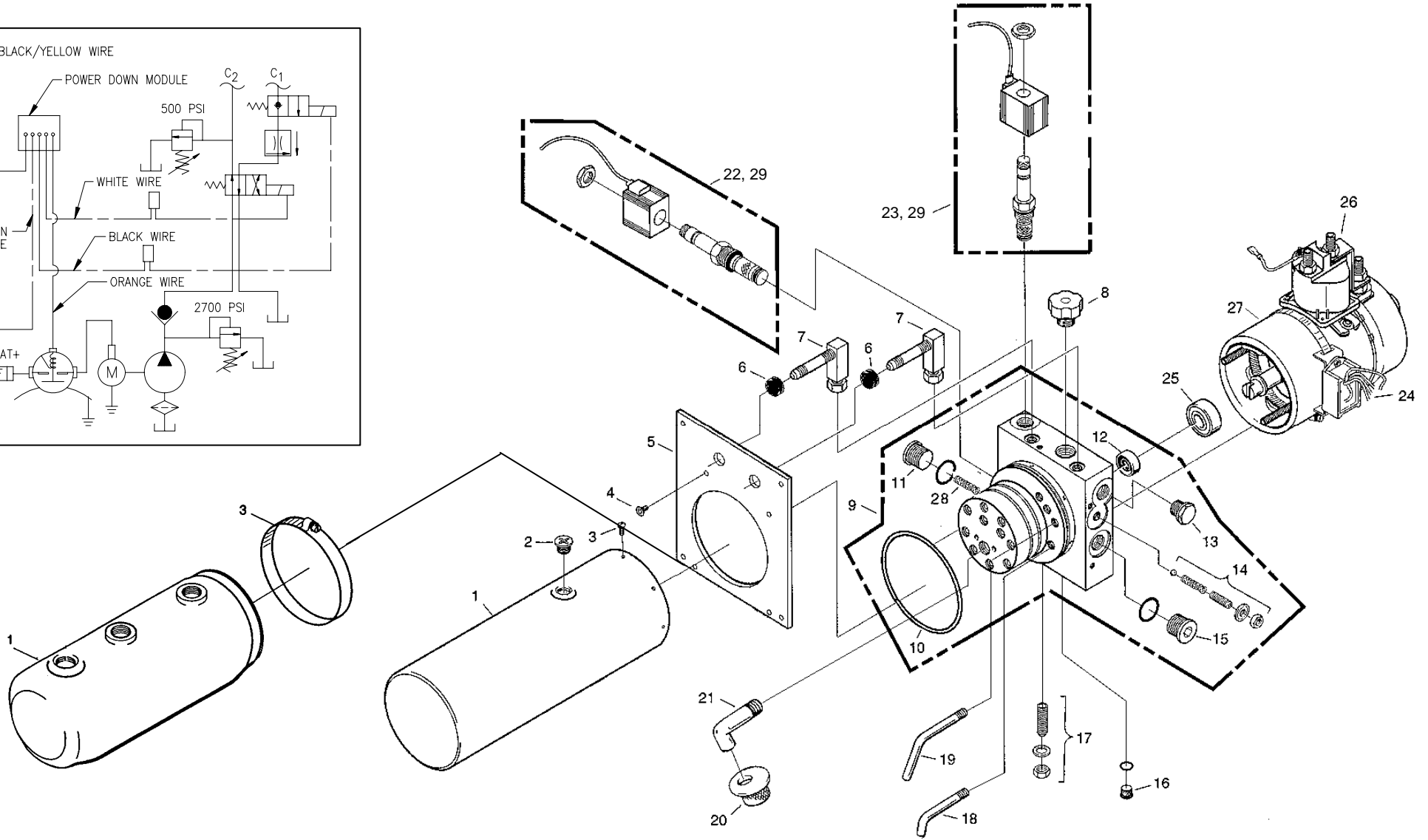
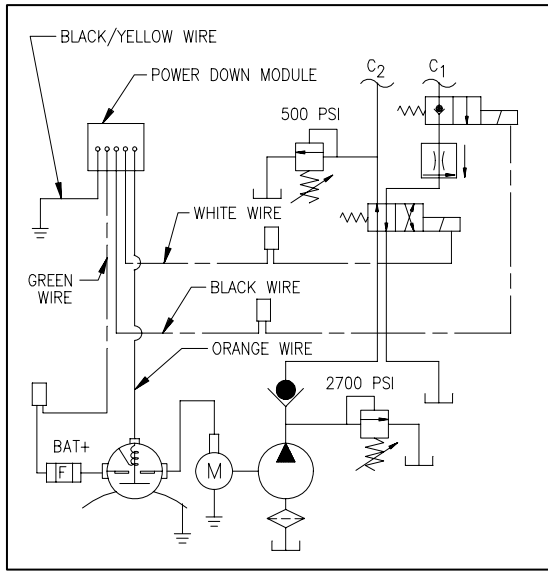
REVISED: 8-1-09
E.O. 6251
REV. 07

PM-555

ITEM	PART NUMBER	QTY	DESCRIPTION
1	70401456 ^B	1	Reservoir (Metal)
	70400001 ^C	1	Reservoir (Plastic)
2	70400055	1	Breather Plug
3	70091738 ^B	6	Screw, 10-24 x 3/8" lg. (For Metal Reservoir)
	70400002 ^C	1	Clamp (For Plastic Reservoir)
4	75086000 ^A	4	Screw, socket flat head cap, 1/4-20
5	70401407 ^A	1	Plate
6	70401408	1	Grommet
7	70401435	1	Fitting, male 7/16" SAE 37° Flare
8	70401409	1	Grommet
9	70401430	1	Fitting, barbed
10	70091734	1	Breather
11	70401410	1	Pump Assembly
12	70091717	1	O-ring
13	70401411 ^D	1	Flow Control Valve, NPT Threads
	70401711 ^E	1	Flow Control Valve, SAE Threads w/ "O" Ring
14	70400006	1	Seal
15	70401412	1	Sight Glass
16	70401413	1	Relief Valve
17	70401415	1	Drain Plug
18	70401414	1	Plug, Check valve
19	70401406	1	Return Tube
20	70401405	1	Return Tube
21	70091730	1	Filter
22	70091731	1	Suction Tube
23	70092503	1	Valve Assy, 2-way/2pos with Coil
24	70091721	1	Bearing
25	75089833	1	Starter Solenoid
26	7043001-1	1	Motor
27	70401416	1	Check Valve
28	70402303	1	Coil, 10V, 25A

- A Used on 70401400, 70401450 only.
 B Used on 70401400, 70401450 and 70401700, 70401750 only.
 C Used on 70401900, 70401950, 70430320 only.
 D Used until 3/04 only.
 E Used since 3/04 only, and on all current replacement pump assemblies.

70401425, 70401475, 70401725, 70401775, 70401925, 70401975, 70430430 POWER DOWN
(All Years)



WALTCO
TRUCK EQUIPMENT CO.
F, C, E, EZL

REVISED: 8-1-09
E.O. 6251
REV. 07

PM-556

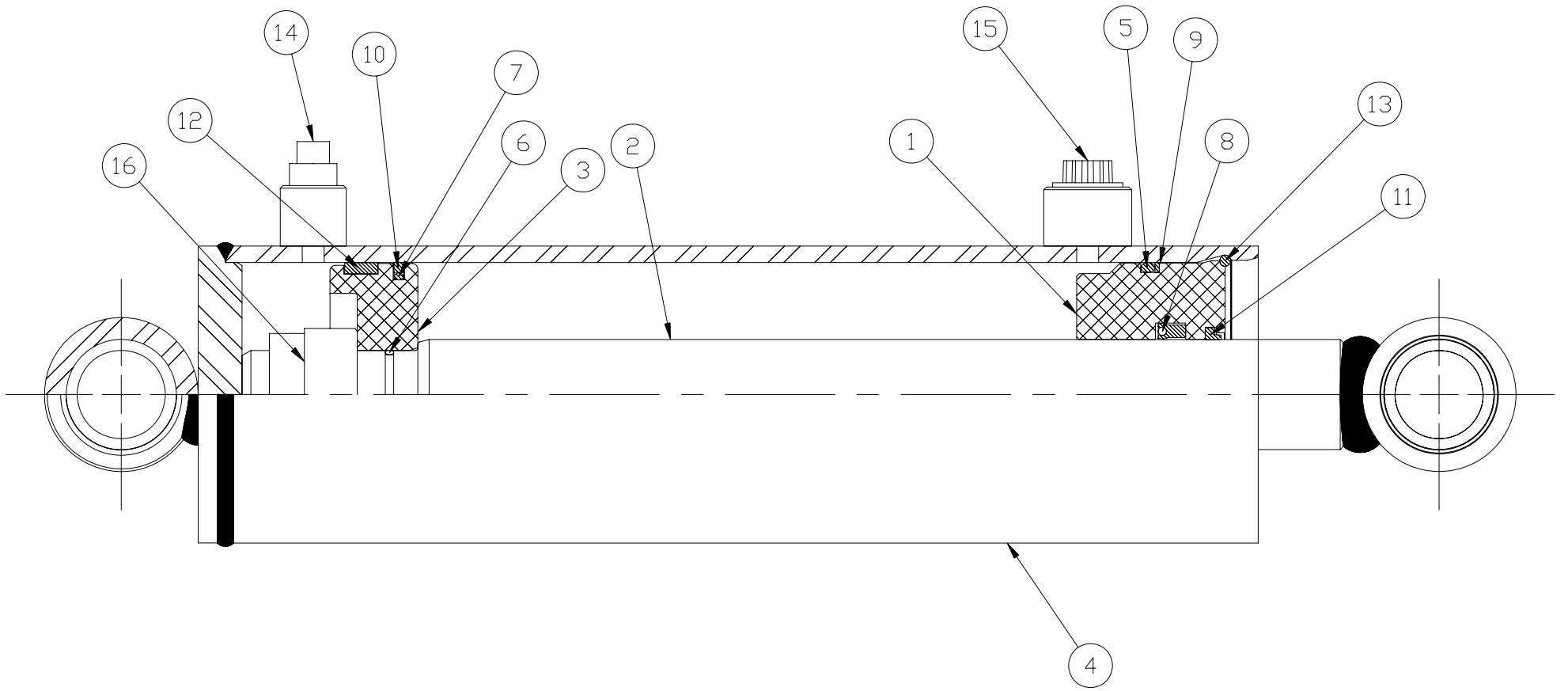
ITEM	PART NUMBER	QTY	DESCRIPTION
1	70401456 ^B	1	Reservoir (Metal)
	70400001 ^C	1	Reservoir (Plastic)
2	70400055	1	Breather Plug
3	70091738 ^B	6	Screw, 10-24 x 3/8" lg. (For Metal Reservoir)
	70400002 ^C	1	Clamp (For Plastic Reservoir)
4	75086000 ^A	4	Screw, socket flat head cap, 1/4-20
5	70401407 ^A	1	Plate
6	70401408	1	Grommet
7	70401435	1	Fitting, male 7/16" SAE 37° Flare
8	70091734	1	Breather
9	70401419	1	Pump Assembly
10	70091717	1	O-ring
11	70401414	1	Plug, Check valve
12	70400006	1	Seal
13	70401412	1	Sight Glass
14	70401413	1	Relief Valve
15	70092400	1	Plug
16	70401415	1	Drain Plug
17	70401413	1	Relief Valve
18	70401406	1	Return Tube
19	70401405	1	Return Tube
20	70091730	1	Filter
21	70091731	1	Suction Tube
22	70400014	1	Valve Assy, 4-way/2pos w/ Coil
23	70092503	1	Valve Assy, 2-way/2pos w/ Coil
24	80001032	1	Power Down Module
25	70091721	1	Bearing
26	75089833	1	Starter Solenoid
27	7043001-1	1	Motor
28	70401416	1	Check Valve
29	70402303	2	Coil, 10V, 25A

^A Used on 70401425, 70401475 only.

^B Used on 70401425, 70401475 and 70401725, 70401775 only.

^C Used on 70401925, 70401975, 70430430 only.

23580010
(All Years)



WALTCO
TRUCK EQUIPMENT CO.
23580010

REVISED: 5-28-04
E.O. 5140B
REV. 01

PM-629

ITEM	PART NUMBER	QTY	DESCRIPTION
1	11354-0200	1	Gland
2	11416-1000	1	Rod Assembly
3	11354-1500	1	Piston
4	11416-2000	1	Barrel Assembly
5	-----*	1	"O" Ring
6	-----*	1	"O" Ring
7	-----*	1	"O" Ring
8	-----*	1	Rod Seal
9	-----*	1	Backup Ring
10	-----*	1	Piston Seal
11	-----*	1	Rod Wiper
12	-----*	1	Wear Ring
13	4051	1	Retaining Ring
14	4179	1	Caplug
15	4247	1	Caplug
16	4406	1	Locknut

* Indicates parts included in repair kit number 35480095.

NOTE: Refer to cylinder serial number located on the cylinder barrel when ordering parts.

Example: 11416-XXXXX

Gardena

Ser No	Date
116000	01/83
117000	05/83
118000	09/83
119000	12/83
130000	03/84
131000	05/84
132000	07/84
133000	10/84
134000	12/84
135000	03/85
136000	04/85
137000	07/85
138000	10/85
139000	11/85
150000	03/86
151000	05/86
152000	09/86
153000	12/86
154000	03/87
155000	05/87
156000	07/87
157000	10/87
158000	11/87
159000	12/87
170000	02/88
171000	04/88
172000	06/88

Ser No	Date
173000	08/88
174000	10/88
175000	11/88
176000	01/89
177000	03/89
178000	04/89
179000	07/89
190000	09/89
191000	11/89
192000	01/90
193000	03/90
194000	05/90
195000	07/90
196000	10/90
197000	12/90
198000	03/91
199000	06/91
210000	09/91
211000	12/91
212000	04/92
213000	06/92
214000	09/92
215000	12/92
216000	02/93
217000	05/93
218000	08/93
219000	12/93

Ser No	Date
230000	02/94
231000	05/94
232000	08/94
233000	10/94
234000	12/94
235000	02/95
236000	05/95
237000	08/95
238000	11/95
239000	01/96
250000	03/96
251000	06/96
252000	09/96
253000	12/96
254000	03/97
255000	05/97
256000	08/97
257000	10/97
258000	01/98
259000	03/98
270000	05/98
271000	07/98
272000	10/98
273000	12/98
274000	02/99
275000	04/99
276000	06/99

Ser No	Date
277000	08/99
278000	10/99
279000	12/99
290000	02/00
291000	04/00
292000	06/00
293000	08/00
294000	11/00
295000	02/01
296000	05/01
297000	07/01
298000	09/01
299000	01/02
310000	04/02
311000	07/02
312000	10/02
313000	01/03
314000	04/03
315000	07/03
316000	11/03
317000	03/04
318000	04/04
330000	04/04
331000	07/04
332000	10/04
333000	12/04
334000	04/05

Ser No	Date
335000	05/05
336000	11/05
337000	11/05
338000	03/06
339000	04/06
350000	08/06
351000	01/07
352000	04/07
353000	09/07
354000	01/08
355000	08/08

***All Serial Number Dates are approximate**

Shipped From Warehouses

Marietta (Georgia)

Ser No	Date
M1000	12/87
M1100	12/88
M1500	04/89
M2000	03/90
M2500	12/90
M3000	09/91
M3500	07/92
M4000	04/93
M4500	02/94
M5000	06/94
M5500	11/94
M6000	04/95
M6500	09/95
M7000	04/96
M7500	10/96
M8000	04/97
M8500	09/97

Ser No	Date
M9000	02/98
M9500	06/98
M10000	09/98
M10500	01/99
M11000	04/99
M11500	08/99
M12000	01/00
M12500	09/00
M13000	10/00
M13500	02/01
M14000	07/01
M14500	01/02
M15000	06/02
M15500	01/03
M16000	07/03
M16500	11/03
M17000	04/04

Ser No	Date
M17500	07/04
M18000	10/04
M19000	01/05
M19500	04/05
M20000	01/06
M20500	03/06
M21000	08/06
M21500	01/07
M21600	03/07
M21700	04/07
M21800	05/07
M21900	07/07
M22000	08/07
M22100	11/07
M22200	12/07
M22300	01/08
M22600	06/08

Others

Ser No	Date
D1000	01/91
D2000	06/92
D3000	03/94
D4000	03/95
D5000	11/96
D6000	04/98
D7000	04/99
F1000	02/00
S1000	04/00
A1000	04/00
T8000	05/00
T9000	09/02
T9500	11/03
T9900	06/04

Burlington (Wisconsin)

Ser No	Date
W1000	11/94
W1100	02/95
W1200	04/95
W1300	06/95
W1400	08/95
W1500	10/95
W1600	12/95
W1700	03/96
W1800	05/96
W1900	08/96
W2000	09/96
W2100	12/96
W2200	02/97
W2300	04/97
W2400	06/97
W2500	08/97

Ser No	Date
W2600	10/97
W2700	12/97
W2800	01/98
W2900	06/98
W3000	07/98
W3100	09/98
W3200	12/98
W3300	03/99
W3400	05/99
W3500	07/99
W3600	09/99
W3700	10/99
W3800	12/99
W3900	03/00
W4000	04/00
W4100	05/00

Ser No	Date
W4200	07/00
W4300	09/00
W4400	11/00
W4500	01/01
W4600	03/01
W4700	05/01
W4800	07/01
W4900	10/01
W5000	12/01
W5100	12/01
W5200	02/02
W5300	03/02
W5400	06/02
W5500	07/02
W5600	09/02
W5700	01/03

Ser No	Date
W5800	01/03
W5900	02/03
W6000	04/03
W6100	06/03
W6200	08/03
W6300	10/03
W6400	01/04
W6500	03/04
W6600	06/04
W6700	09/04
W6800	12/04
W6900	02/05
W7000	05/05

***All Serial Number Dates are approximate**

MISC.

Ser No	Date
CMC100	05/07
CMC200	07/07
CMC300	09/07
CMC400	10/07
CMC500	12/07
CMC600	01/08
CMC700	06/08

Ser No	Date
CMT100	05/07
CMT200	
CMT300	
CMT400	
CMT500	
CMT600	