

---

# RA-18-10

## Table of Contents

---

<b>Book Page</b>	<b>Page Number</b>
Final Assembly	3
Frame Assembly CSMP	5
Frame Assembly CMP	9
Slider Assembly CSMP	13
Slider Assembly CMP	17
Lift Frame Assembly	21
Installation Frame Assembly 47 Wide	23
Installation Frame Assembly 34 Wide	25
Platform Flipover DTB	27
Platform Flipover STB	30
Platform SRR	33
Platform DRR	35
Flipover SRR DTB	37
Flipover SRR STB	40
Flipover DRR DTB	43
Flipover DRR DTB 2025 09	46
Single Retention Ramp	49
Right Dual Retention Ramp	52
Left Dual Retention Ramp	55
Hydraulic Systems	58
Hydraulic Systems GD SMP	59
Hydraulic Systems GD CMP	62
Hydraulic Systems PD SMP	65
Hydraulic Sysytems PD CMP	68

Pump Assembly	71
Single Pump Assembly	72
Single Pump Assembly 2025 08	76
Single Pump Assembly ECU	79
Single Pump Assembly ECU 2025 08	83
Dual Pump Assembly	86
Dual Pump Assembly 2025 08	90
Dual Pump Assembly ECU	93
Dual Pump Assembly ECU 2025 08	97
Terminal Block Bracket Assembly	100
12 VDC Power Unit	102
24 VDC Power Unit	104
Dual 12 VDC Power Unit	106
Dual 24 VDC Power Unit	108
Electrical Systems	110
J Box and Main Switch Assembly	113
J Box Assembly	115
Decals	118

FINAL ASSEMBLY

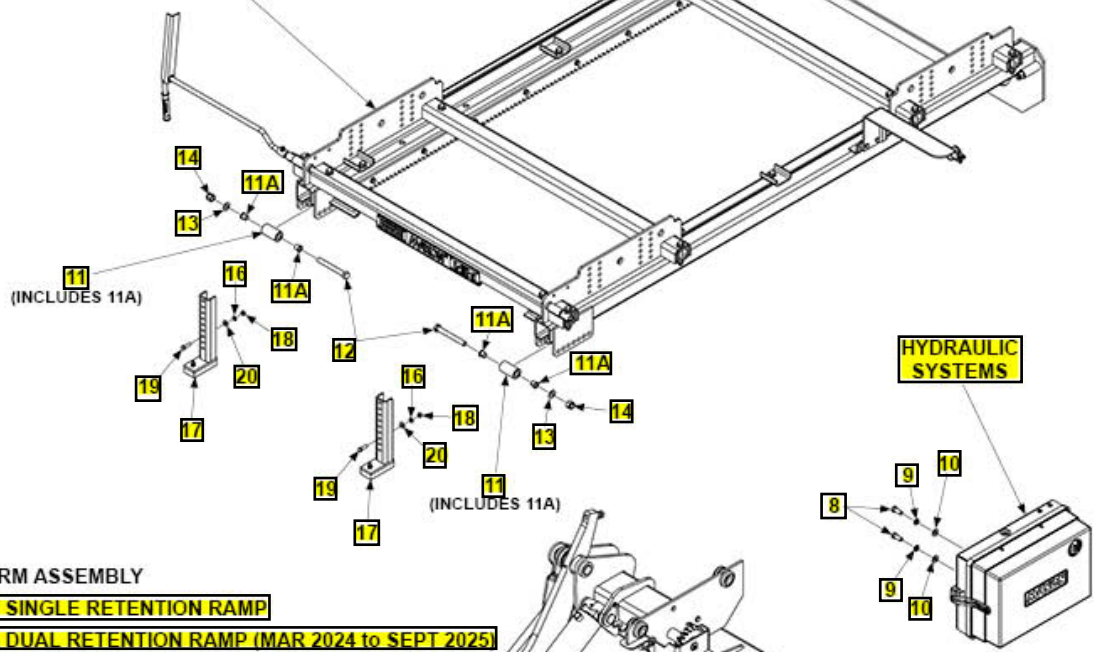
LAST UPDATED  
MAR 2024 to present

INSTALLATION FRAME ASSEMBLY

- 47" WIDE
- 34" WIDE

FRAME ASSEMBLY

- FOR CURB SIDE MOUNTED PUMP
- FOR CENTER MOUNTED PUMP



PLATFORM ASSEMBLY

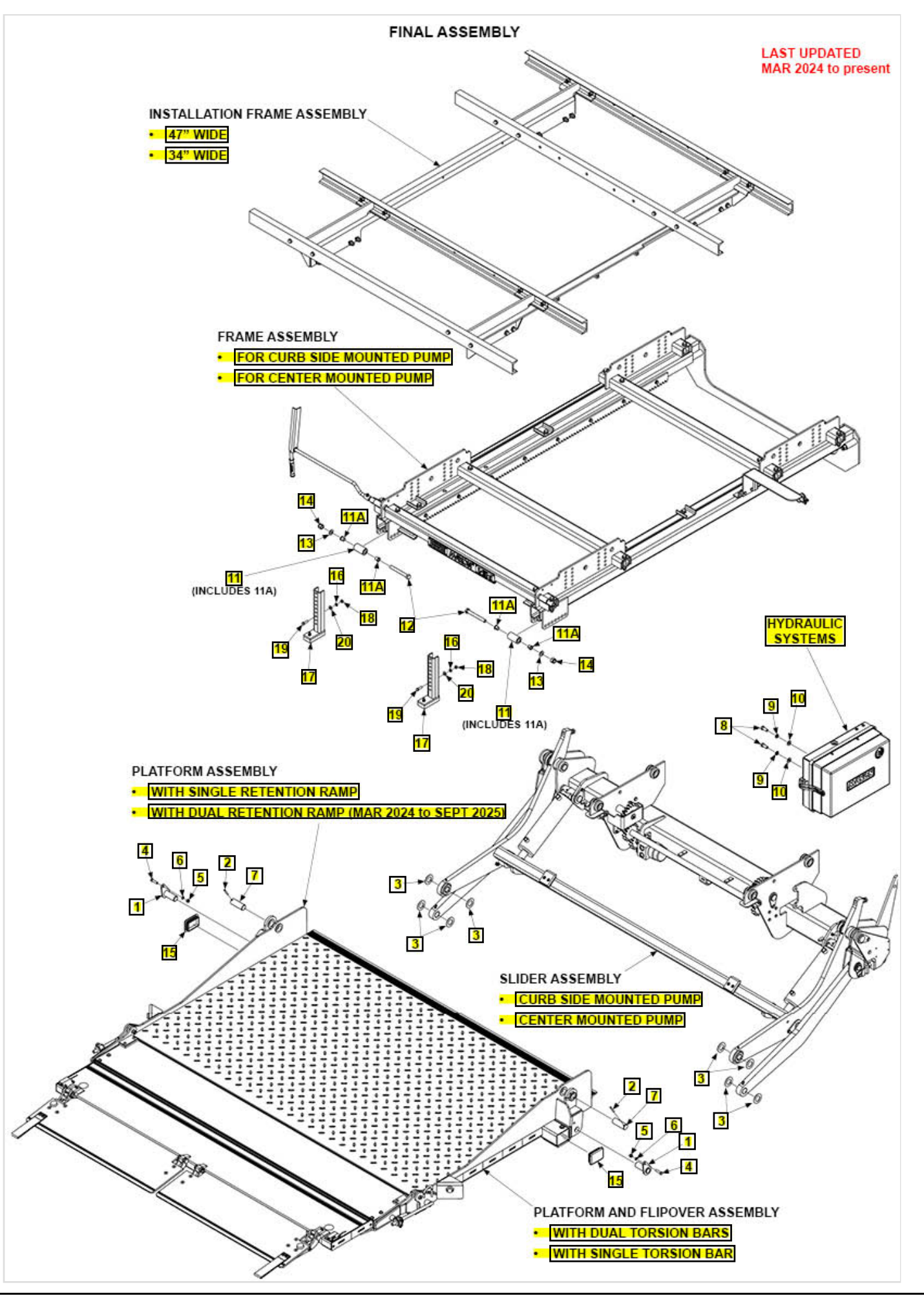
- WITH SINGLE RETENTION RAMP
- WITH DUAL RETENTION RAMP (MAR 2024 to SEPT 2025)

SLIDER ASSEMBLY

- CURB SIDE MOUNTED PUMP
- CENTER MOUNTED PUMP

PLATFORM AND FLIPOVER ASSEMBLY

- WITH DUAL TORSION BARS
- WITH SINGLE TORSION BAR



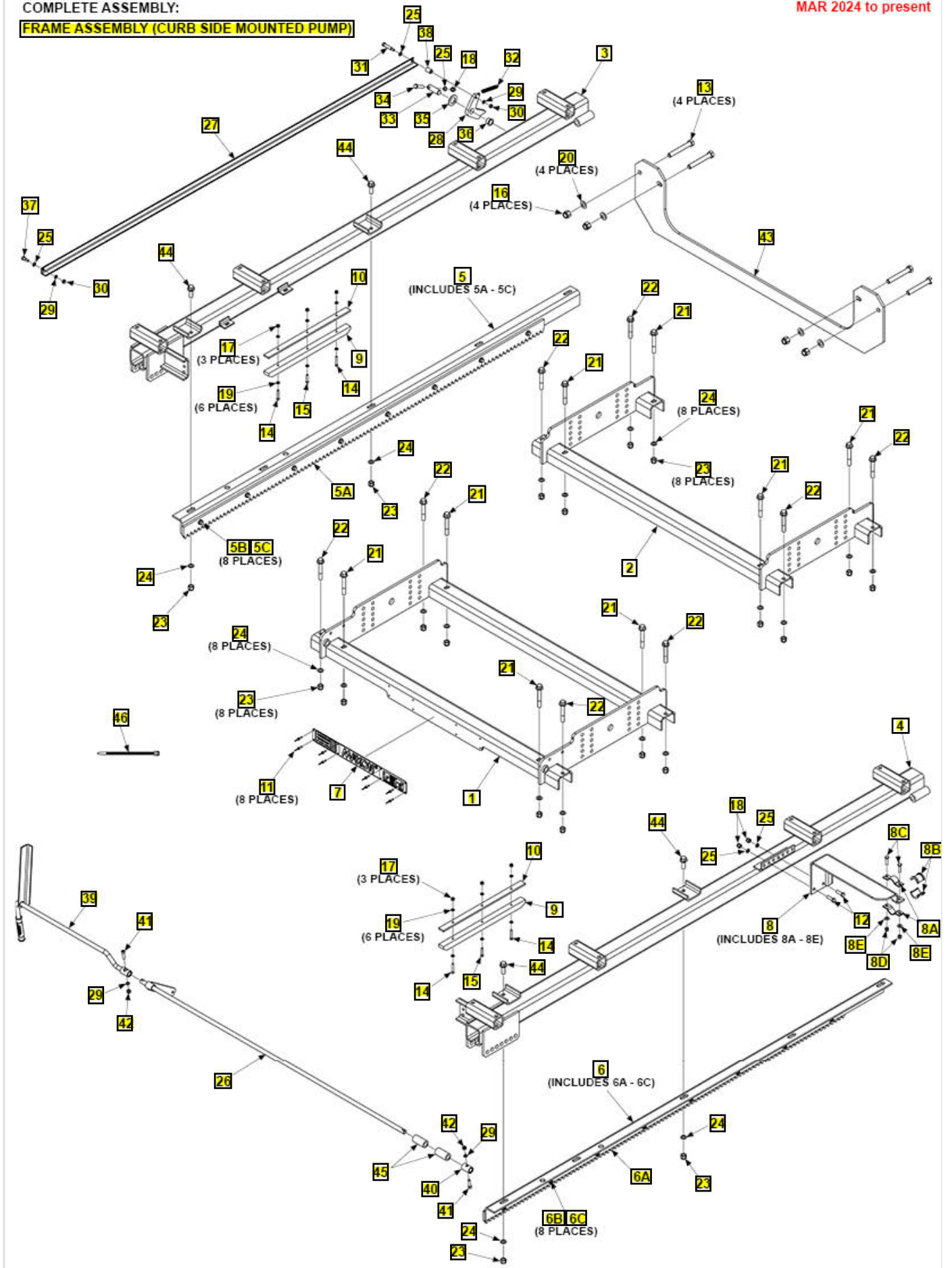
Pos	SKU	Description	Qty	Remark
1	288058-01	PIN WLDMT, 1.25OD X 3.5 LGQ	2	
2	905033-5	ROLL PIN .250 O.D.X2.00"LG	2	
3	908078-02	FB THRUST BEARING, 1.25 ID	8	
4	900764-09	SCREW, HEX CAP .38-16X1.5, SS	2	
5	903134-01	NUT, NYL INSRT STOP .375-16 SS	2	
6	902000-9	WASHER, FLAT.375X.032 THK	2	
7	289347-01	PIN, Ø1.25 X 3.5	2	
8	900734-05	SCREW,HXHD.5-13X1.25,UNC-2A,SS		
9	902019-7	WASHER,LOCK S/ST .869ODX.512ID	2	
10	903409-04	WASHER,FEND .50 X1.13OD,SS	2	
11	289036-01	ROLLER ASSY, SLIDER STOP	2	
11A	908217-04	BEARING, FLNGD, SELF LUB .63 DIA SHX.75 LG	2	
12	900055-17	SCREW,HEX HEAD.625-11UNC X5.25	2	
13	902000-18	WASHER, FLAT .625 .063 THK	2	
14	040156	NUT, LOCK 5/8-11 GR8	2	
15	905240-01	PLUG, 3 X 4, 6-8GA, TUBE	2	
16	902011-4	WASHER, LOCK 3/8X.094 ZC	2	
17	287630-02G	STOP ASSY. PLATFORM, SHORT	2	
18	901011-5	NUT, HEX HEAD .375-16 UNC-2B	2	
19	900014-5	SCREW,HEX CAP.38-16X1.25,G8,ZC	2	
20	902001-2	WASHER, FLAT 3/8X1/16 ZC	2	

### FRAME ASSEMBLY (CURB SIDE MOUNTED PUMP)

COMPLETE ASSEMBLY:

**FRAME ASSEMBLY (CURB SIDE MOUNTED PUMP)**

LAST UPDATED  
MAR 2024 to present



Pos	SKU	Description	Qty	Remark
REF	288800-11G	FRAME ASSY, SLDR, 47.1W X 95LG, TRLR, G	1	
1	288850-01G	FRAME WLDMT, FRONT, TRLR, 47.13IN W, G	1	
2	288850-04G	FRAME WLDMT, BACK, TRLR, 47.13IN W, G	1	
3	288870-11	FRAME WLDMT, 94.88IN LG, LH	1	
4	288870-12	FRAME WLDMT, 94.88IN LG, RH	1	
5	287510-05G	GEAR RACK ASSY, 85IN LG, LH, GAL	1	
5A	211512-03G	RACK, STEEL, RECT, .38 X 77 LG, ZC	1	
5B	901624-05	BOLT HEX FRAME .38-16X1.25IN LG	8	
5C	903136-03	FLANGE LOCK NUT, .38-16, PL	8	
6	287510-06G	GEAR RACK ASSY, 85IN LG, RH, GAL	1	
6A	211512-03G	RACK, STEEL, RECT, .38 X 77 LG, ZC	1	
6B	901624-05	BOLT HEX FRAME .38-16X1.25IN LG	8	
6C	903136-03	FLANGE LOCK NUT, .38-16, PL	8	
7	280004-01	PLATE, MAXON NAME & DECALS	1	
8	211244-01	BRACKET ASSY, FLEX CABLE, LONG	1	
8A	211148-01	BRACKET, FLEX CABLE CLAMPING	2	
8B	211149-01	CUSHION, FLEX CABLE CLAMPING	2	
8C	901602-07	BOLT, HEX.313-18 X1.25,18-8 SS	2	
8D	903106-10	NUT, NYL INSRT STOP.313 -18 SS	2	
8E	903409-02	WASHER,FEND .34 X.75OD,SS	2	

Pos	SKU	Description	Qty	Remark
9	289219-01	BUMPER, F/O SUPPORT	2	
10	289223-01	FLAT, F/O BUMPER MOUNT	2	
11	904005-2	RIVET,BLIND SSTL DOME.187X.565	8	
12	900014-5	SCREW,HEX CAP.38-16X1.25,G8,ZC	2	
13	900055-14	SCREW,HEX HEAD.625-11UNC X4.5	4	
14	900025-6	SCREW, SOC 1/4-20X1-1/2 ALLOY	4	
15	900025-5	SCREW, SOC 1/4-20X1-1/4 ALLOY	2	
16	040156	NUT, LOCK 5/8-11 GR8	4	
17	901000	NUT, NYLON 1/4-20 ZINC	6	
18	901002	NUT, NYLON 3/8-16 ZINC	3	
19	902000-1	WASHER, FLAT 1/4X1/16 USS ZC	12	
20	902000-18	WASHER, FLAT .625 .063 THK	4	
21	901024-10	BOLT HEX FRAME .5-13X3.5"LG	8	
22	901024-6	BOLT HEX FRAME .5-13 X 3.25"LG	8	
23	901010	NUT, NYLON LOCK 1/2-13 ZC	20	
24	902000-14	WASHER, FLAT .500X.063 THK	20	
25	902000-9	WASHER, FLAT.375X.032 THK	5	
26	289155-03G	ARM WLDMT, SLIDER LOCK, 56.38 LG, GAL	1	
27	289152-06	ARM, SLIDER LOCK, 95.5IN FRAME, 79.5IN LG	1	
28	288814-01	LEVER, SLIDER STOW LOCK	1	
29	902000-7	WASHER, FLAT .312 .032 THK	4	
30	901016-3	NUT HEX THN HD LKG.313-18UNC	2	

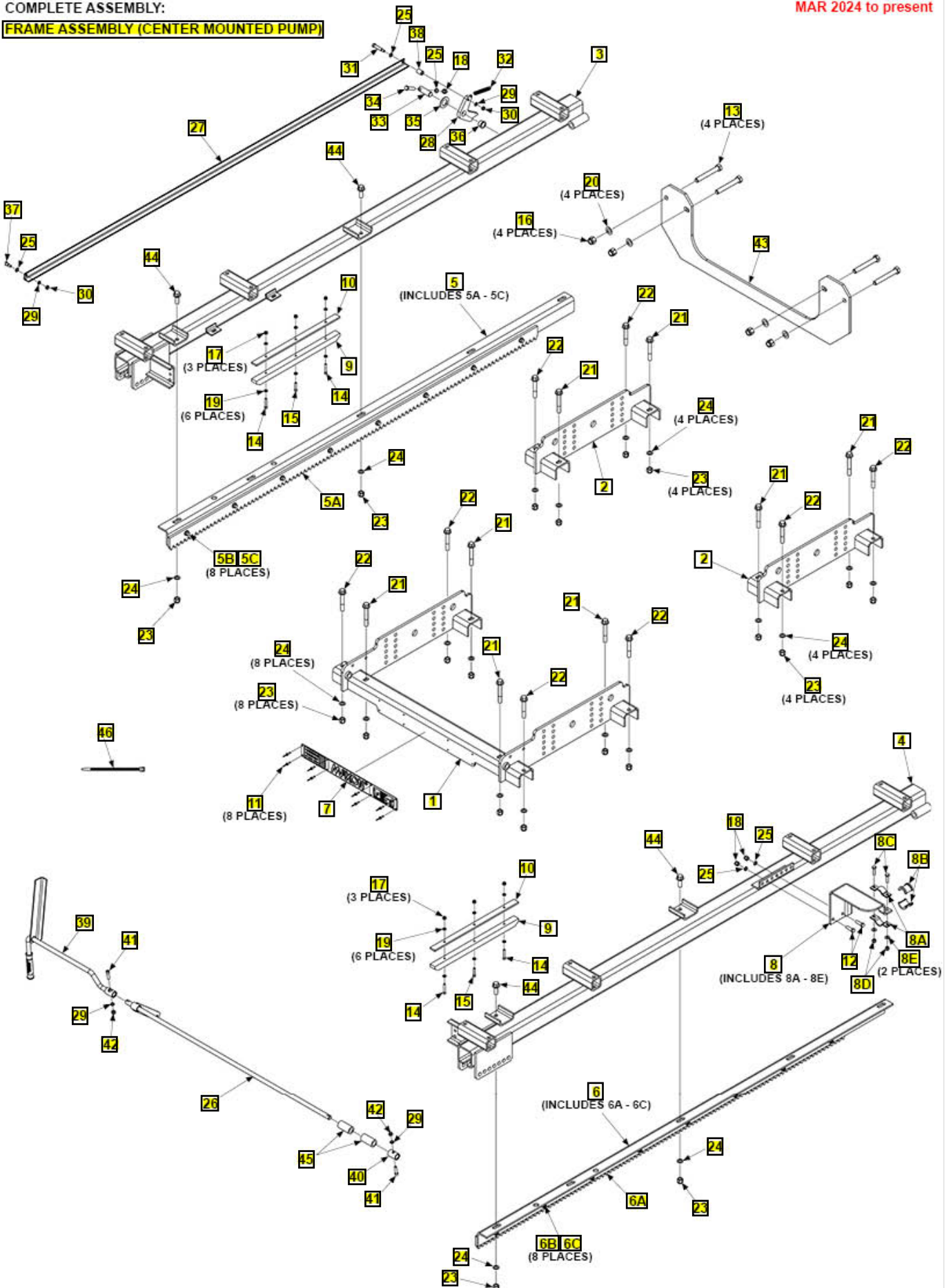
Pos	SKU	Description	Qty	Remark
31	900723-08	SCREW,SHLDR.38 X1.5 LG,SS	1	
32	908176-04	SPRING,EXT,.5ODX.063WRX2.25LG,SS		
33	289343-01	PIN, LOCKING BRACKET	1	
34	900014-7	SCREW,HEX CAP.38-16X1.75,G8,ZC	1	
35	903458-04	WASHER, UHMW PE, 1IDX1.75OD	1	
36	261837-16	BUSHING, FLNG,PLST .754 IDX.63	1	
37	900723-02	SCREW,SHLDR.38 X.38 LG,SS	1	
38	092023-15	RD TUBE.63"OD X.13IN W X.88IN LG, ZC	1	
39	289161-02	HANDLE ASSY, SLIDER, 23IN LG	1	
40	289346-02	BUSHING, HANDLE, ZC	1	
41	900831-07	SCREW, SOC HD CAP .312-18 X1.25, ZC	2	
42	901001	NUT, NYLON 5/16-18 ZINC	2	
43	211247-01G	PLATE, FRAME END, 53 X 12, GAL	1	
44	901024-5	BOLT HEX FRAME .5-13 X 1.50" LG	4	
45	289356-01	SPACER, HANDLE	2	
46	205780	TIE, PLASTIC 7" (50 LB)	2	

### FRAME ASSEMBLY (CENTER MOUNTED PUMP)

COMPLETE ASSEMBLY:

**FRAME ASSEMBLY (CENTER MOUNTED PUMP)**

LAST UPDATED  
MAR 2024 to present



Pos	SKU	Description	Qty	Remark
REF	288800-12G	FRAME ASSY, SLDR, 33.4 WX 95LG, TRLR, G	1	
1	288850-02G	FRAME WLDMT, FRONT, TRLR, 41.13IN W, G	1	
2	288851-01G	FRAME WLDMT, BACK, G	2	
3	288870-11	FRAME WLDMT, 94.88IN LG, LH	1	
4	288870-12	FRAME WLDMT, 94.88IN LG, RH	1	
5	287510-05G	GEAR RACK ASSY, 85IN LG, LH, GAL	1	
5A	211512-03G	RACK, STEEL, RECT, .38 X 77 LG, ZC	1	
5B	901624-05	BOLT HEX FRAME .38-16X1.25IN LG	8	
5C	903136-03	FLANGE LOCK NUT, .38-16, PL	8	
6	287510-06G	GEAR RACK ASSY, 85IN LG, RH, GAL	1	
6A	211512-03G	RACK, STEEL, RECT, .38 X 77 LG, ZC	1	
6B	901624-05	BOLT HEX FRAME .38-16X1.25IN LG	8	
6C	903136-03	FLANGE LOCK NUT, .38-16, PL	8	
7	280004-01	PLATE, MAXON NAME & DECALS	1	
8	211244-02	BRACKET ASSY, FLEX CABLE, SHORT	1	
8A	211148-01	BRACKET, FLEX CABLE CLAMPING	2	
8B	211149-01	CUSHION, FLEX CABLE CLAMPING	2	
8C	901602-07	BOLT, HEX.313-18 X1.25,18-8 SS	2	
8D	903106-10	NUT, NYL INSRT STOP.313 -18 SS	2	
8E	903409-02	WASHER,FEND .34 X.75OD,SS	2	

Pos	SKU	Description	Qty	Remark
9	289219-01	BUMPER, F/O SUPPORT	2	
10	289223-01	FLAT, F/O BUMPER MOUNT	2	
11	904005-2	RIVET,BLIND SSTL DOME.187X.565	8	
12	900014-5	SCREW,HEX CAP.38-16X1.25,G8,ZC	2	
13	900055-14	SCREW,HEX HEAD.625-11UNC X4.5	4	
14	900025-6	SCREW, SOC 1/4-20X1-1/2 ALLOY	4	
15	900025-5	SCREW, SOC 1/4-20X1-1/4 ALLOY	2	
16	040156	NUT, LOCK 5/8-11 GR8	4	
17	901000	NUT, NYLON 1/4-20 ZINC	6	
18	901002	NUT, NYLON 3/8-16 ZINC	3	
19	902000-1	WASHER, FLAT 1/4X1/16 USS ZC	12	
20	902000-18	WASHER, FLAT .625 .063 THK	4	
21	901024-10	BOLT HEX FRAME .5-13X3.5"LG	8	
22	901024-6	BOLT HEX FRAME .5-13 X 3.25"LG	8	
23	901010	NUT, NYLON LOCK 1/2-13 ZC	20	
24	902000-14	WASHER, FLAT .500X.063 THK	20	
25	902000-9	WASHER, FLAT.375X.032 THK	5	
26	289155-04G	ARM WLDMT, SLIDER LOCK, 42.63LG, GAL	1	
27	289152-06	ARM, SLIDER LOCK, 95.5IN FRAME, 79.5IN LG	1	
28	288814-01	LEVER, SLIDER STOW LOCK	1	
29	902000-7	WASHER, FLAT .312 .032 THK	4	
30	901016-3	NUT HEX THN HD LKG.313-18UNC	2	

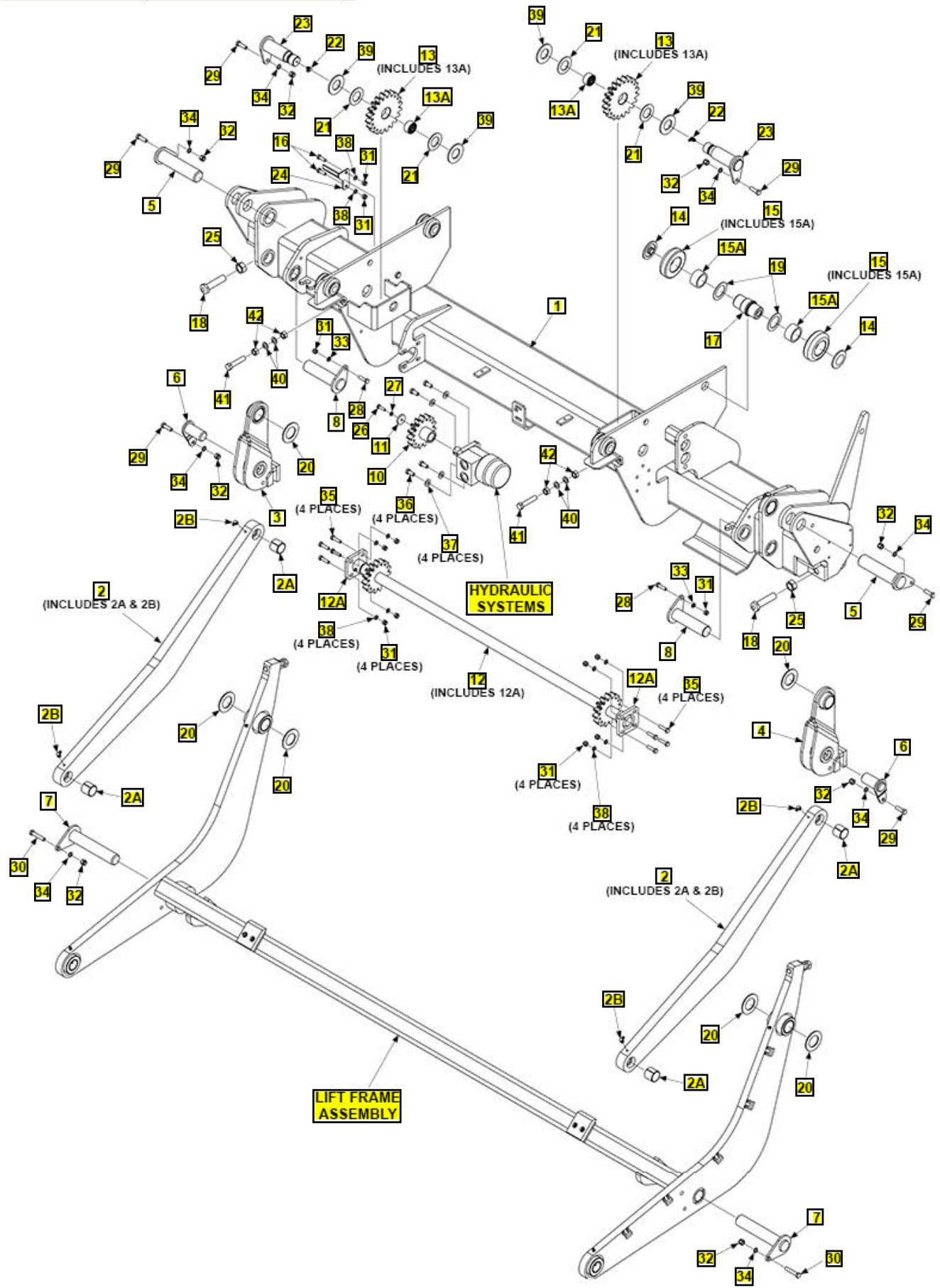
Pos	SKU	Description	Qty	Remark
31	900723-08	SCREW,SHLDR.38 X1.5 LG,SS	1	
32	908176-04	SPRING,EXT,.5ODX.063WRX2.25LG,SS		
33	289343-01	PIN, LOCKING BRACKET	1	
34	900014-7	SCREW,HEX CAP.38-16X1.75,G8,ZC	1	
35	903458-04	WASHER, UHMW PE, 1IDX1.75OD	1	
36	261837-16	BUSHING, FLNG,PLST .754 IDX.63	1	
37	900723-02	SCREW,SHLDR.38 X.38 LG,SS	1	
38	092023-15	RD TUBE.63"OD X.13IN W X.88IN LG, ZC	1	
39	289161-01	HANDLE ASSY, SLIDER, 17IN LG	1	
40	289346-02	BUSHING, HANDLE, ZC	1	
41	900831-07	SCREW, SOC HD CAP .312-18 X1.25, ZC	2	
42	901001	NUT, NYLON 5/16-18 ZINC	2	
43	211247-02G	PLATE, FRAME END, 39.25 X 12, GAL	1	
44	901024-5	BOLT HEX FRAME .5-13 X 1.50" LG	4	
45	289356-01	SPACER, HANDLE	2	
46	205780	TIE, PLASTIC 7" (50 LB)	2	

SLIDER ASSEMBLY (CURB SIDE MOUNTED PUMP)

COMPLETE ASSEMBLY:

LAST UPDATED  
MAR 2024 to present

**SLIDER ASSEMBLY (CURB SIDE MOUNTED PUMP)**



Pos	SKU	Description	Qty	Remark
REF	288200-01G	SLIDER ASSY, 96IN, GALV	1	
1	288202-01G	MAIN FRAME WLDMT, 96IN LG, GAL	1	
2	288035-01G	TILT ARM ASSY, SLIDER, GALV	2	
2A`	905114-03	BEARING, SELF LUBE 1-1/4X1-1/4	2	
2B	906760-01	GREASE FITTING, THD FORMING, 90DIA ELBOW	2	
3	287708-02G	SWING BRACKET WLDMT, RH, GALV	1	
4	287708-01G	SWING BRACKET WLDMT, LH, GALV	1	
5	288085-02	PIN WLDMT, 1.5OD X 6.69 LG	2	
6	289682-01	PIN WLDMT, SWING ARM	2	
7	289043-02	PIN WLDMT, 1.38OD X 7.75 LG	2	
8	288514-01	PIN WLDMT, .38OD X 5.75LG`	2	
10	287590-01G	PINION WLDMT, HYD. MOTOR, ZC	1	
11	289673-01	WASHER, OVERSIZED, 1.25ODX.28IDX.19THK	1	
12	287580-01G	PINION DRIVE ASSY, 46.38 WIDE, GAL	1	
12A	288550-01	PLATE ASSY, PINION MOUNT	2	
13	287560-01G	PINION ASSEMBLY, 20 TEETH, ZC	2	
13A	908177-01	BEARING,PRE LUBRICATING 1.25ID X .75 LG	1	
14	289251-01	ROLLER INSERT	8	
15	288388-01	ROLLER ASSY	8	
15A	295224-01	HIGH SHOCK LOAD, BUSHES 1/8"	1	
16	900009-2	SCREW, CAP.31-18X1 GR8 ZC	2	
17	289236-01	SHAFT ROLLER 1.00 DIA X 2.219 IN LG	4	
18	288219-03	BOLT, .75-10 X 3LG	2	

Pos	SKU	Description	Qty	Remark
19	903460-01	WASHER, SHIM 1.00 ID X 1.50 OD SS	8	
20	908078-04	FB THRUST BEARING 1.5 ID	6	
21	908078-02	FB THRUST BEARING, 1.25 ID	4	
22	906760-01	GREASE FITTING, THD FORMING, 90DIA ELBOW	2	
23	211109-01	PIN WLDMT, PINION	2	
24	211096-01	BRACKET, LIMIT SWITCH MOUNTING	1	Aug 2025 & Before
24	287825-01	BRACKET WLDMT, SENSOR MOUNTING	1	Sept 2025 & After
25	030336	NUT 3/4-10NC	2	
26	901603-06	BOLT, HEX .250-20X1, 18-8 SS	1	
27	902011-2	WASHER, LOCK .25 X .062 THK	1	
28	900009-5	SCREW, CAP 5/16-18X1-1/4 G8 ZC	2	
29	900014-5	SCREW,HEX CAP.38-16X1.25,G8,ZC	6	
30	900014-8	SCREW,HEX CAP.38-16X2,G8,ZC	2	
31	901001	NUT, NYLON 5/16-18 ZINC	12	
32	901002	NUT, NYLON 3/8-16 ZINC	8	
33	902000-8	WASHER, FLAT .312 .063 THK	2	
34	902000-9	WASHER, FLAT.375X.032 THK	8	
35	901602-07	BOLT, HEX.313-18 X1.25,18-8 SS	8	
36	900764-05	SCREW, HEX CAP .38-16X.88, SS	4	
37	903409-03	WASHER,FEND .41 X.88OD,SS	4	
38	902000-7	WASHER, FLAT .312 .032 THK	10	
39	902013-20	WASHER, FLAT 1-1/4" ZC	4	

---

Pos	SKU	Description	Qty	Remark
40	902028-8	WASHER,FLAT .531 OD X .260 ID	4	
41	900773-08	SCREW,HXHD.5-13X2.5,UNC- 2A,GR8 ZC,FULL THD	2	
42	901011-9	NUT, HEX HEAD .500-13 UNC-2B	4	

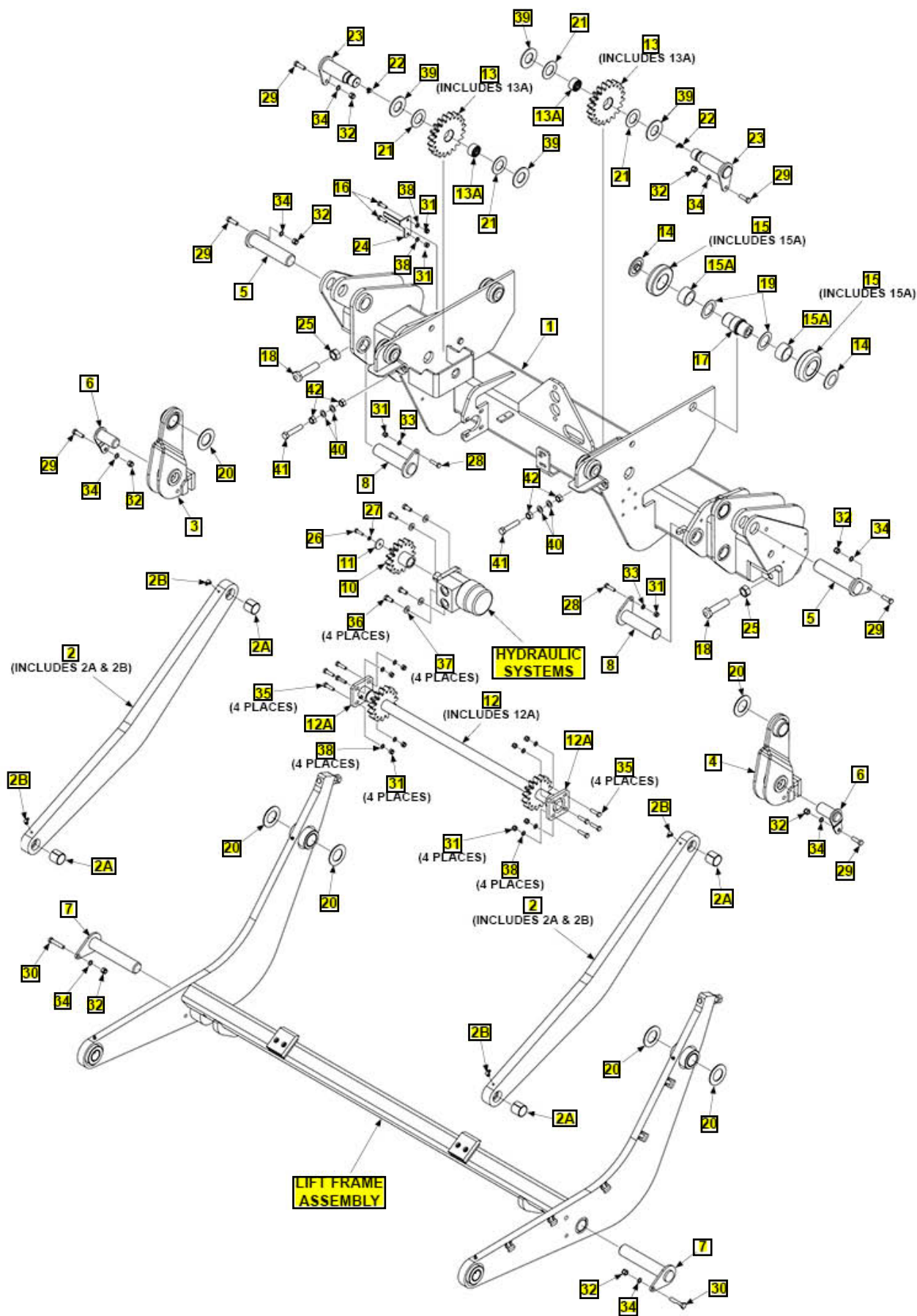
---

### SLIDER ASSEMBLY (CENTER MOUNTED PUMP)

COMPLETE ASSEMBLY:

**SLIDER ASSEMBLY (CENTER MOUNTED PUMP)**

LAST UPDATED  
MAR 2024 to present



Pos	SKU	Description	Qty	Remark
REF	288200-11G	SLIDER ASSY, 70IN, GALV	1	
REF	288200-12G	SLIDER ASSY, 62IN, GALV	1	
1	288202-11G	MAIN FRAME WLDMT, 70IN LG, GAL	1	
1	288202-12G	MAIN FRAME WLDMT, 62IN LG, GAL	1	
2	288035-01G	TILT ARM ASSY, SLIDER, GALV	2	
2A`	905114-03	BEARING, SELF LUBE 1-1/4X1-1/4	2	
2B	906760-01	GREASE FITTING, THD FORMING, 90DIA ELBOW	2	
3	287708-02G	SWING BRACKET WLDMT, RH, GALV	1	
4	287708-01G	SWING BRACKET WLDMT, LH, GALV	1	
5	288085-02	PIN WLDMT, 1.5OD X 6.69 LG	2	
6	289682-01	PIN WLDMT, SWING ARM	2	
7	289043-02	PIN WLDMT, 1.38OD X 7.75 LG	2	
8	288514-01	PIN WLDMT, .38OD X 5.75LG`	2	
10	287590-01G	PINION WLDMT, HYD. MOTOR, ZC	1	
11	289673-01	WASHER, OVERSIZED, 1.25ODX.28IDX.19THK	1	
12	287580-02G	PINION DRIVE ASSY, 32.63 WIDE, GAL	1	
12A	288550-01	PLATE ASSY, PINION MOUNT	2	
13	287560-01G	PINION ASSEMBLY, 20 TEETH, ZC	2	
13A	908177-01	BEARING,PRE LUBRICATING 1.25ID X .75 LG	1	
14	289251-01	ROLLER INSERT	8	
15	288388-01	ROLLER ASSY	8	
15A	295224-01	HIGH SHOCK LOAD, BUSHES 1/8"	1	
16	900009-2	SCREW, CAP.31-18X1 GR8 ZC	2	

Pos	SKU	Description	Qty	Remark
17	289236-01	SHAFT ROLLER 1.00 DIA X 2.219 IN LG	4	
18	288219-03	BOLT, .75-10 X 3LG	2	
19	903460-01	WASHER, SHIM 1.00 ID X 1.50 OD SS	8	
20	908078-04	FB THRUST BEARING 1.5 ID	6	
21	908078-02	FB THRUST BEARING, 1.25 ID	4	
22	906760-01	GREASE FITTING, THD FORMING, 90DIA ELBOW	2	
23	211109-01	PIN WLDMT, PINION	2	
24	211096-01	BRACKET, LIMIT SWITCH MOUNTING	1	Aug 2025 & Before
24	287825-01	BRACKET WLDMT, SENSOR MOUNTING	1	Sept 2025 & After
25	030336	NUT 3/4-10NC	2	
26	901603-06	BOLT, HEX .250-20X1, 18-8 SS	1	
27	902011-2	WASHER, LOCK .25 X .062 THK	1	
28	900009-5	SCREW, CAP 5/16-18X1-1/4 G8 ZC	2	
29	900014-5	SCREW,HEX CAP.38-16X1.25,G8,ZC	6	
30	900014-8	SCREW,HEX CAP.38-16X2,G8,ZC	2	
31	901001	NUT, NYLON 5/16-18 ZINC	12	
32	901002	NUT, NYLON 3/8-16 ZINC	8	
33	902000-8	WASHER, FLAT .312 .063 THK	2	
34	902000-9	WASHER, FLAT.375X.032 THK	8	
35	901602-07	BOLT, HEX.313-18 X1.25,18-8 SS	8	
36	900764-05	SCREW, HEX CAP .38-16X.88, SS	4	
37	903409-03	WASHER,FEND .41 X.88OD,SS	4	

---

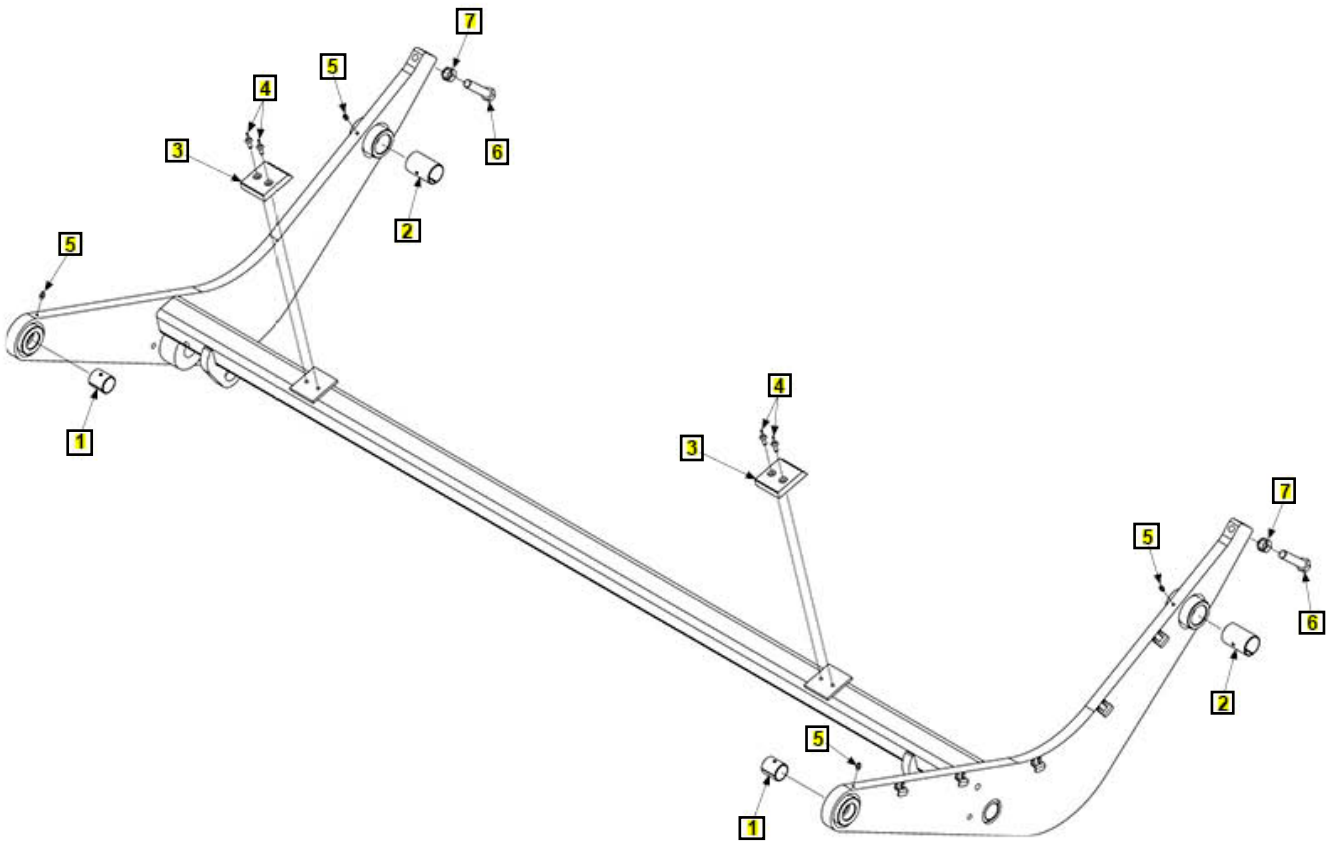
Pos	SKU	Description	Qty	Remark
38	902000-7	WASHER, FLAT .312 .032 THK	10	
39	902013-20	WASHER, FLAT 1-1/4" ZC	4	
40	902028-8	WASHER, FLAT .531 OD X .260 ID	4	
41	900773-08	SCREW, HXHD.5-13X2.5, UNC- 2A, GR8 ZC, FULL THD	2	
42	901011-9	NUT, HEX HEAD .500-13 UNC-2B	4	

---

LIFT FRAME ASSEMBLY

COMPLETE ASSEMBLY:  
**LIFT FRAME ASSEMBLY**

LAST UPDATED  
MAR 2024 to present



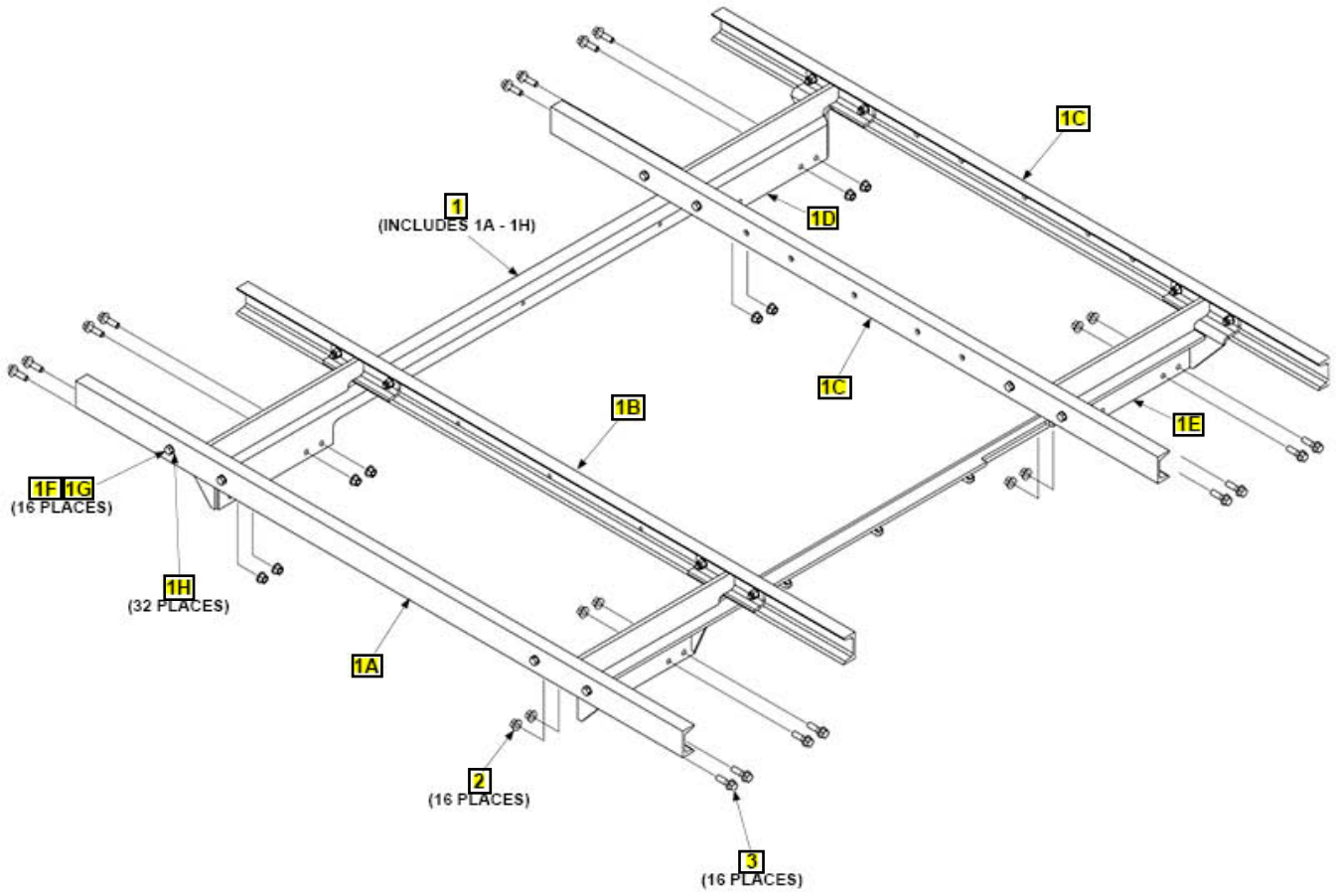
Pos	SKU	Description	Qty	Remark
REF	287730-01G	LIFT FRAME ASSY, 87.63, GAL	1	
REF	287730-02G	LIFT FRAME ASSY, 61.63, GAL	1	
REF	287730-03G	LIFT FRAME ASSY, 53.63, GAL	1	
1	905114-04	BEARING, SELF LUBE 1-1/4X1-1/2	2	
2	905116-04	BEARING, S/LUBE FABROID, 1.5 X 2.5	2	
3	288842-01	SADDLE, P/F OPENER	2	
4	903715-06	RIVET,BL/DM,AL/AL .25X.62-.75	4	
5	224342	FITTING, GREASE 1/4"SELF DRILL	4	
6	287819-01	BOLT, MODIFIED, .63-11 X 3IN LG	2	
7	030329	NUT, 5/8-11 ZINC	2	

### INSTALLATION FRAME ASSEMBLY (47" WIDE)

COMPLETE ASSEMBLY:

**INSTALLATION FRAME ASSEMBLY (47" WIDE)**

LAST UPDATED  
MAR 2024 to present



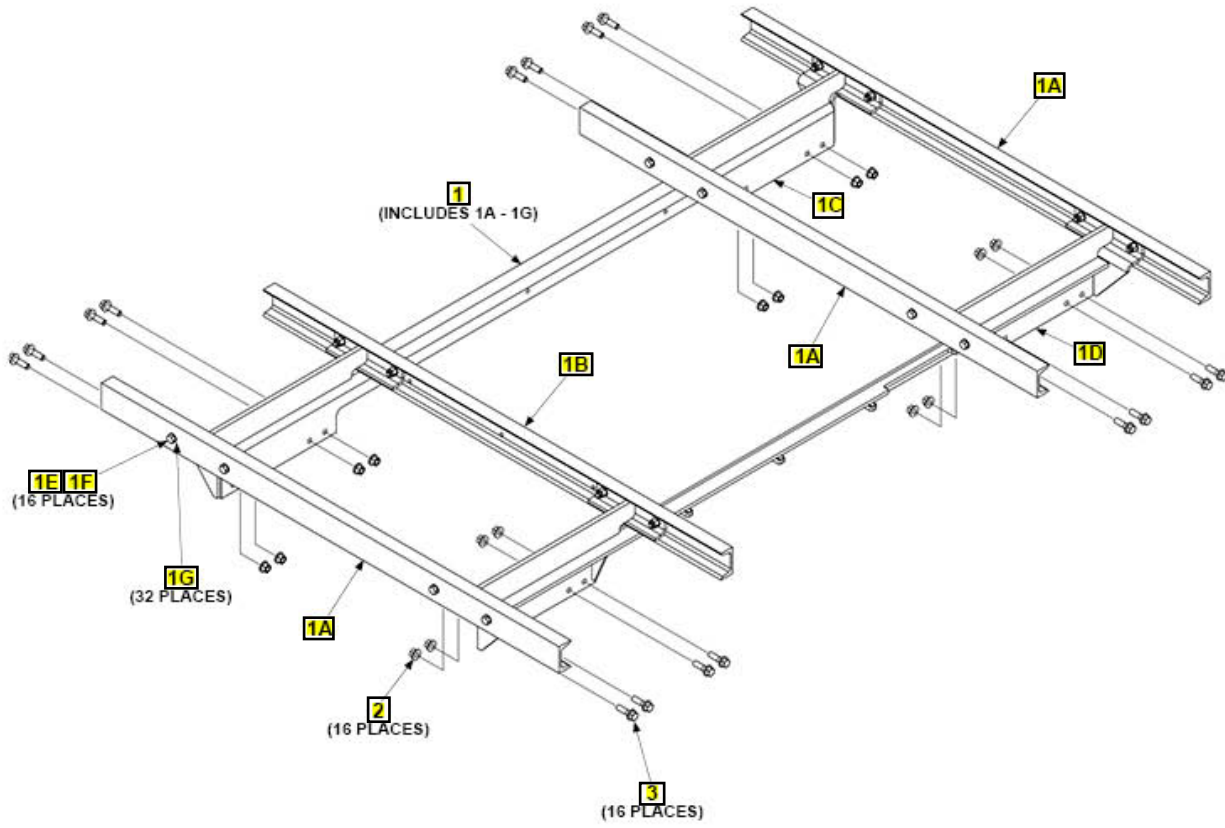
Pos	SKU	Description	Qty	Remark
REF	287900-11	KIT, INSTALLATION FRAME, RA, 47.25IN	1	
1	289250-01G	FRAME ASSY, RA MOUNT, 47.25IN	1	
1A	289319-03	CHANNEL, RA MOUNT FRAME, LONG, FRONT	1	
1B	289319-01	CHANNEL, RA MOUNT FRAME, LONG	1	
1C	289319-04	CHANNEL, RA MOUNT FRAME, LONG, BACK	2	
1D	289306-01G	PLATE WLDMT, RA MNT FRAME, LH, GAL	1	
1E	289306-02G	PLATE WLDMT, RA MNT FRAME, RH, GAL	1	
1F	900035-3	SCREW,CAP HXHD.5-13UNC-2A 1.50	16	
1G	901010	NUT, NYLON LOCK 1/2-13 ZC	16	
1H	902000-14	WASHER, FLAT .500X.063 THK	32	
2	901023	FLANGE LOCK NUT	16	
3	901024-2	BOLT HEX FRAME .5-13 X 1.75"LG	16	

### INSTALLATION FRAME ASSEMBLY (34" WIDE)

COMPLETE ASSEMBLY:

**INSTALLATION FRAME ASSEMBLY (34" WIDE)**

LAST UPDATED  
MAR 2024 to present



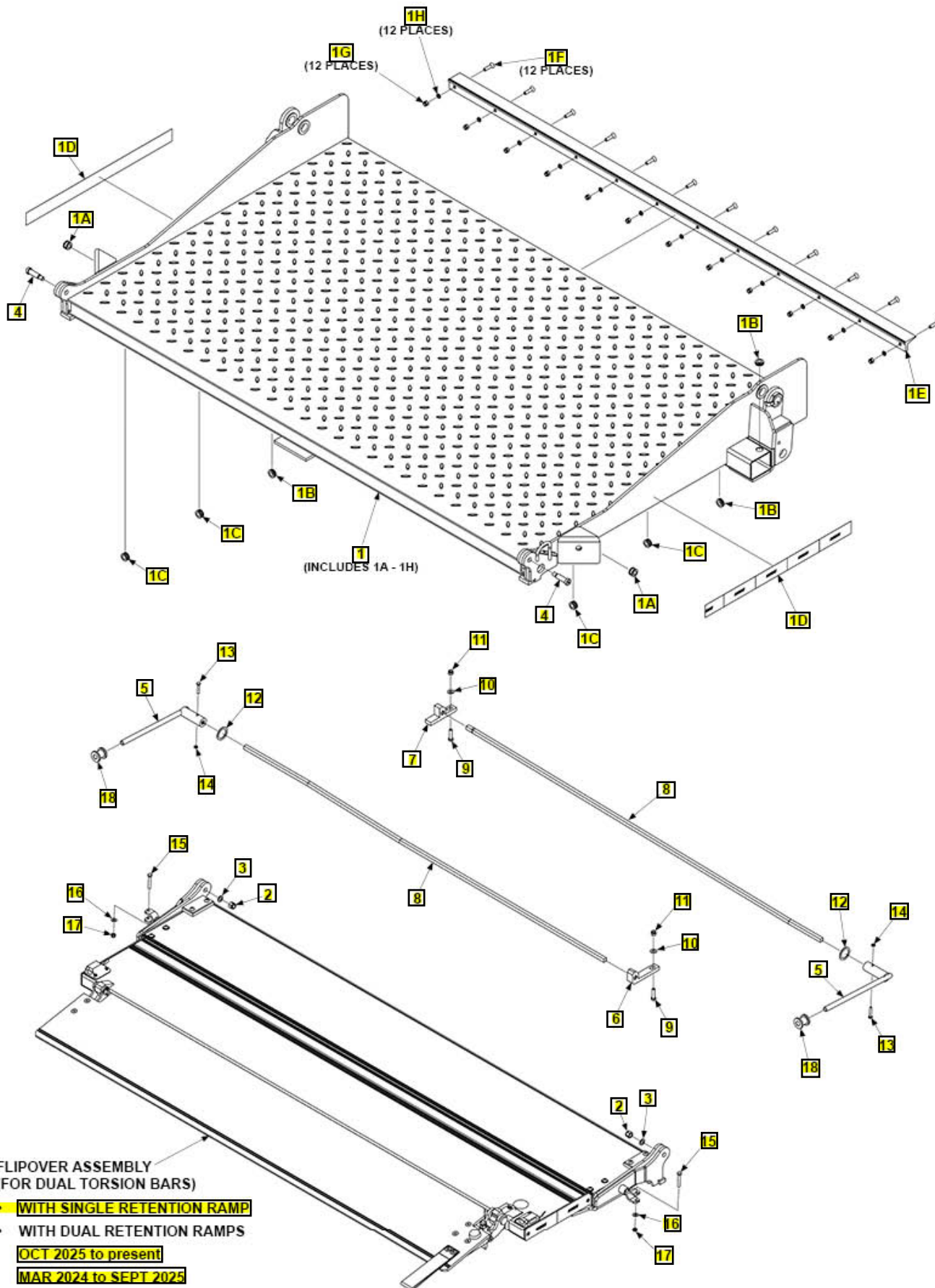
Pos	SKU	Description	Qty	Remark
REF	287900-12	KIT, INSTALLATION FRAME, RA, 33.5IN	1	
1	289250-02G	FRAME ASSY, RA MOUNT, 33.5IN	1	
1A	289319-05	CHANNEL, RA MOUNT FRAME, SHORT, FRONT/BACK	3	
1B	289319-02	CHANNEL, RA MOUNT FRAME, SHORT	1	
1C	289306-01G	PLATE WLDMT, RA MNT FRAME, LH, GAL	1	
1D	289306-02G	PLATE WLDMT, RA MNT FRAME, RH, GAL	1	
1E	900035-3	SCREW,CAP HXHD.5-13UNC-2A 1.50	16	
1F	901010	NUT, NYLON LOCK 1/2-13 ZC	16	
1G	902000-14	WASHER, FLAT .500X.063 THK	32	
2	901023	FLANGE LOCK NUT	16	
3	901024-2	BOLT HEX FRAME .5-13 X 1.75"LG	16	

PLATFORM AND FLIPOVER ASSEMBLY WITH DUAL TORSION BARS

COMPLETE ASSEMBLY:

LAST UPDATED  
MAR 2024 to present

**PLATFORM AND FLIPOVER ASSEMBLY WITH DUAL TORSION BARS**



Pos	SKU	Description	Qty	Remark
REF	289005-41G	P/F ASSY,ST/AL 86X55+24,12IN SRR, GAL	1	
REF	289005-44G	P/F ASSY,ST/AL 86X55+24,12IN DRR, GAL	1	
1	289006-05G	P/F ASSY, STEEL, 86 X 55, GAL	1	
1A	908144-01	RUBBER GROMMET.56ID, DIA .88 X .38THK PANEL	2	
1B	908144-02	RUBBER GROMMET.63ID, DIA.88 X .125THK PANEL	3	
1C	908144-04	RUBBER GROMMET.56ID, DIA .81 X .25THK PANEL	4	
1D	908150-01	TAPE, CONSPICUITY, MAXON (UOM ROLL, 150FT PER)	1	
1E	288775-01	EXTRUSION, PLATFORM END, 85.94 LG	1	
1F	900040-6	SCREW, FLHD SOC 3/8-16X1-1/2ZC	12	
1G	901002	NUT, NYLON 3/8-16 ZINC	12	
1H	902000-10	WASHER, FLAT .375X.063 THK	12	
2	901016-6	NUT HEX THN HD LKG .500-13UNC	2	
3	902000-14	WASHER, FLAT .500X.063 THK	2	
4	900721-04	SCREW, SHOULDER, .63 X 1.75 LG	2	
5	298957-04	ARM WLDMT, 0.5IN TORSION BAR	2	
6	289258-02	SLIDE-BLOCK,TORSION BAR ADJUST,.5X.5	1	
7	289257-02	SLIDE-BLOCK,TORSION BAR ADJUST,.5X.5	1	
8	263041-32	TORSION BAR 68 LG	2	
9	900764-09	SCREW, HEX CAP .38-16X1.5, SS	2	
10	903409-03	WASHER,FEND .41 X.88OD,SS	2	

---

Pos	SKU	Description	Qty	Remark
11	903134-01	NUT, NYL INSRT STOP .375-16 SS	2	
12	903407-04	SHIM, SS, 1.38IDX1.88ODX.06THK	2	
13	901603-10	BOLT, HEX .25-20X1.5,18-8 SS	2	
14	903130-01	NUT, HEX HEAD, WIDE .25-20, SS	2	
15	901602-10	BOLT, HEX .313-18X2.00, 18-8 SS	2	
16	903409-02	WASHER,FEND .34 X.75OD,SS	2	
17	903106-10	NUT, NYL INSRT STOP.313 -18 SS	2	
18	298943-01	BUSHING, TORSION BAR ARM	2	

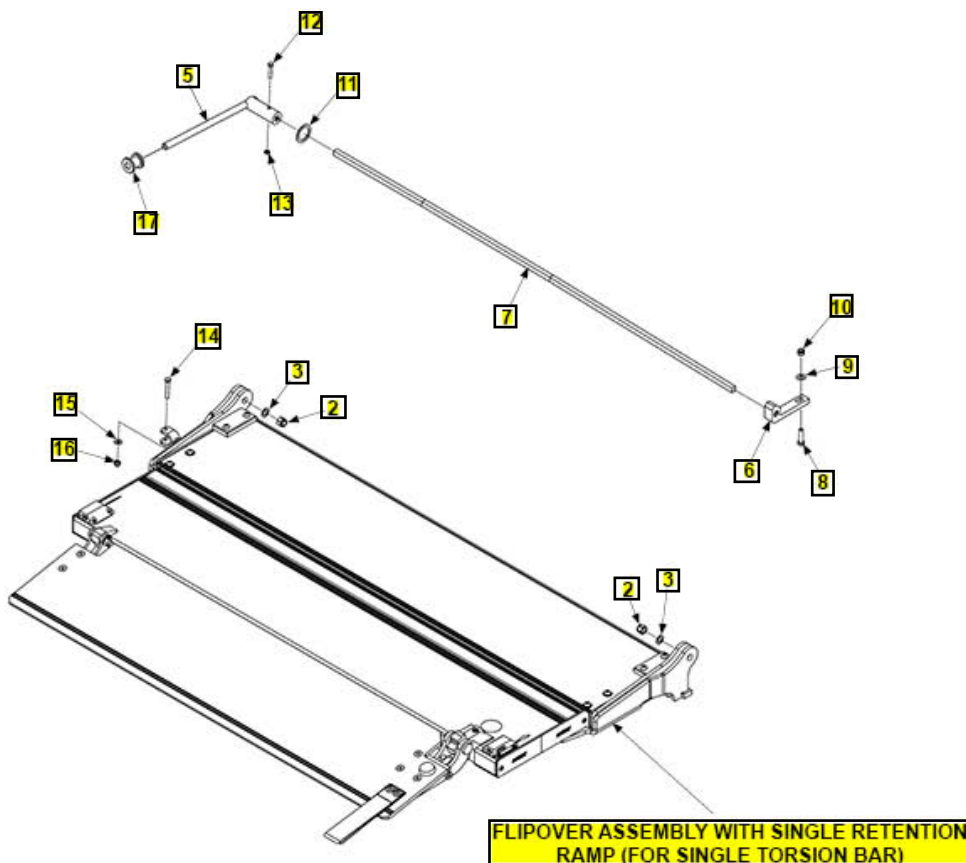
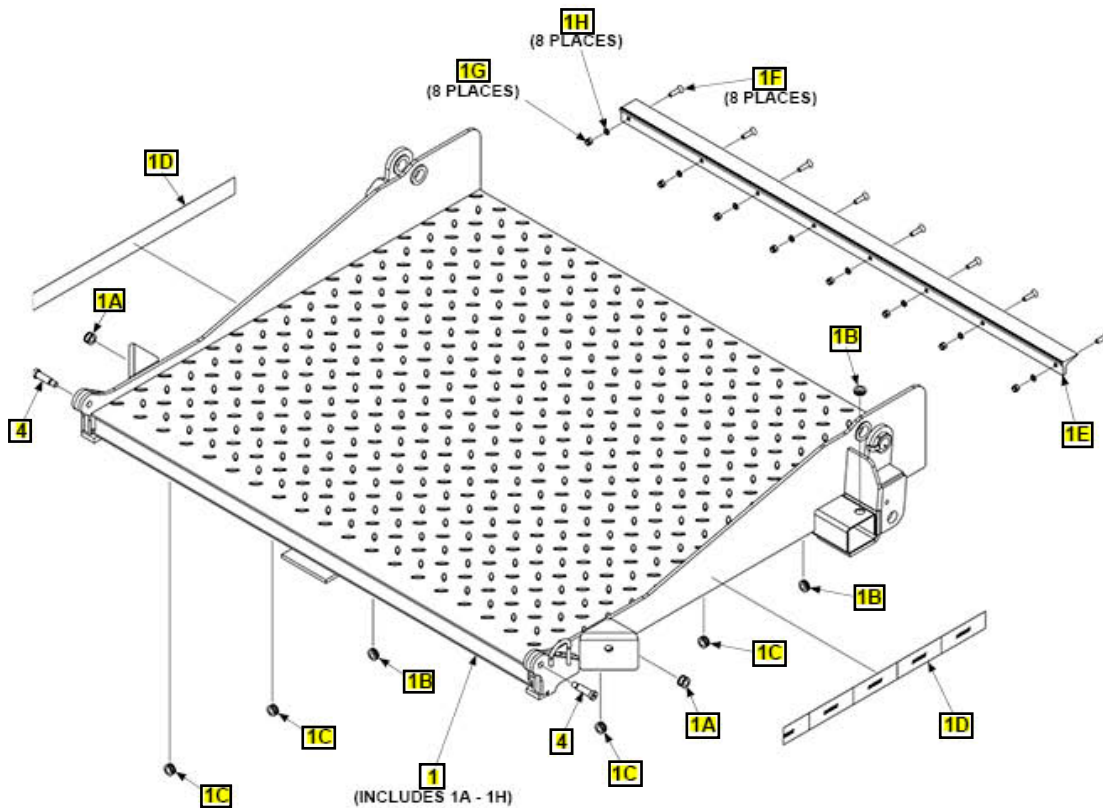
---

PLATFORM AND FLIPOVER ASSEMBLY WITH SINGLE TORSION BAR

COMPLETE ASSEMBLY:

LAST UPDATED  
MAR 2024 to present

**PLATFORM AND FLIPOVER ASSEMBLY WITH SINGLE TORSION BAR**



Pos	SKU	Description	Qty	Remark
REF	289005-42G	P/F ASSY,ST/AL 60X55+24,12IN SRR, GAL	1	
REF	289005-43G	P/F ASSY,ST/AL 52X55+24,12IN SRR, GAL	1	
1	289006-06G	P/F ASSY, STEEL, 60 X 55, GAL	1	
1	289006-07G	P/F ASSY, STEEL, 48 X 55, GAL	1	
1A	908144-01	RUBBER GROMMET.56ID, DIA .88 X .38THK PANEL	2	
1B	908144-02	RUBBER GROMMET.63ID, DIA.88 X .125THK PANEL	3	
1C	908144-04	RUBBER GROMMET.56ID, DIA .81 X .25THK PANEL	4	
1D	908150-01	TAPE, CONSPICUITY, MAXON (UOM ROLL, 150FT PER)	1	
1E	288775-02	EXTRUSION, PLATFORM END, 59.94 LG	1	
1E	288775-03	EXTRUSION, PLATFORM END, 51.94 LG	1	
1F	900040-6	SCREW, FLHD SOC 3/8-16X1-1/2ZC	8	
1G	901002	NUT, NYLON 3/8-16 ZINC	8	
1H	902000-10	WASHER, FLAT .375X.063 THK	8	
2	901016-6	NUT HEX THN HD LKG .500-13UNC	2	
3	902000-14	WASHER, FLAT .500X.063 THK	2	
4	900721-04	SCREW, SHOULDER, .63 X 1.75 LG	2	
5	298957-04	ARM WLDMT, 0.5IN TORSION BAR	1	
6	289258-02	SLIDE-BLOCK,TORSION BAR ADJUST,.5X.5	1	
7	263041-30	TORSION BAR 46.25 LG	1	
7	263041-31	TORSION BAR 54.25 LG	1	
8	900764-09	SCREW, HEX CAP .38-16X1.5, SS	1	

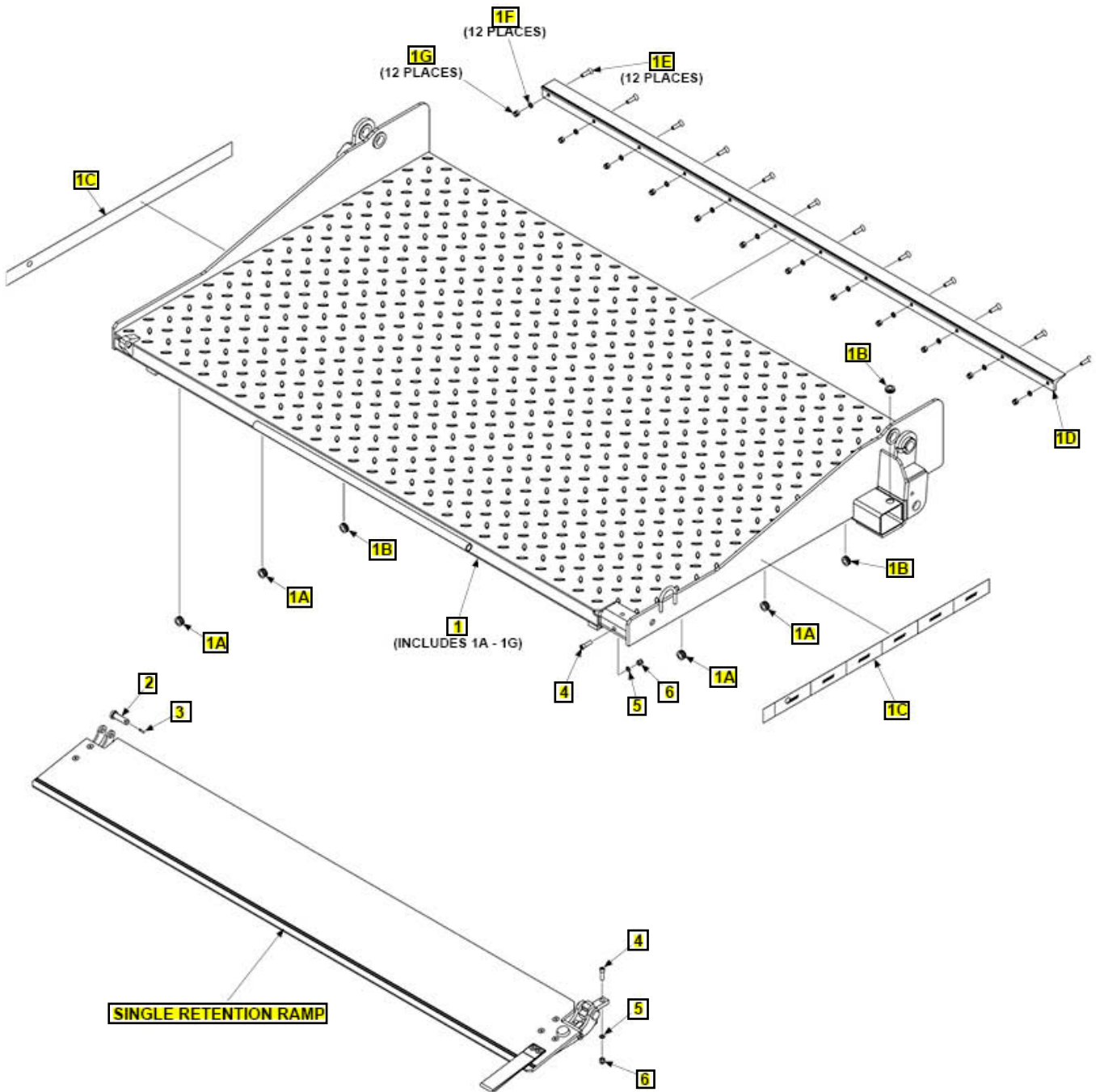
Pos	SKU	Description	Qty	Remark
9	903409-03	WASHER,FEND .41 X.88OD,SS	1	
10	903134-01	NUT, NYL INSRT STOP .375-16 SS	1	
11	903407-04	SHIM, SS, 1.38IDX1.88ODX.06THK	1	
12	901603-10	BOLT, HEX .25-20X1.5,18-8 SS	1	
13	903130-01	NUT, HEX HEAD, WIDE .25-20, SS	1	
14	901602-10	BOLT, HEX .313-18X2.00, 18-8 SS	1	
15	903409-02	WASHER,FEND .34 X.75OD,SS	1	
16	903106-10	NUT, NYL INSRT STOP.313 -18 SS	1	
17	298943-01	BUSHING, TORSION BAR ARM	1	

### PLATFORM ASSEMBLY WITH SINGLE RETENTION RAMP

COMPLETE ASSEMBLY:

LAST UPDATED  
MAR 2024 to present

**PLATFORM ASSEMBLY WITH SINGLE RETENTION RAMP**



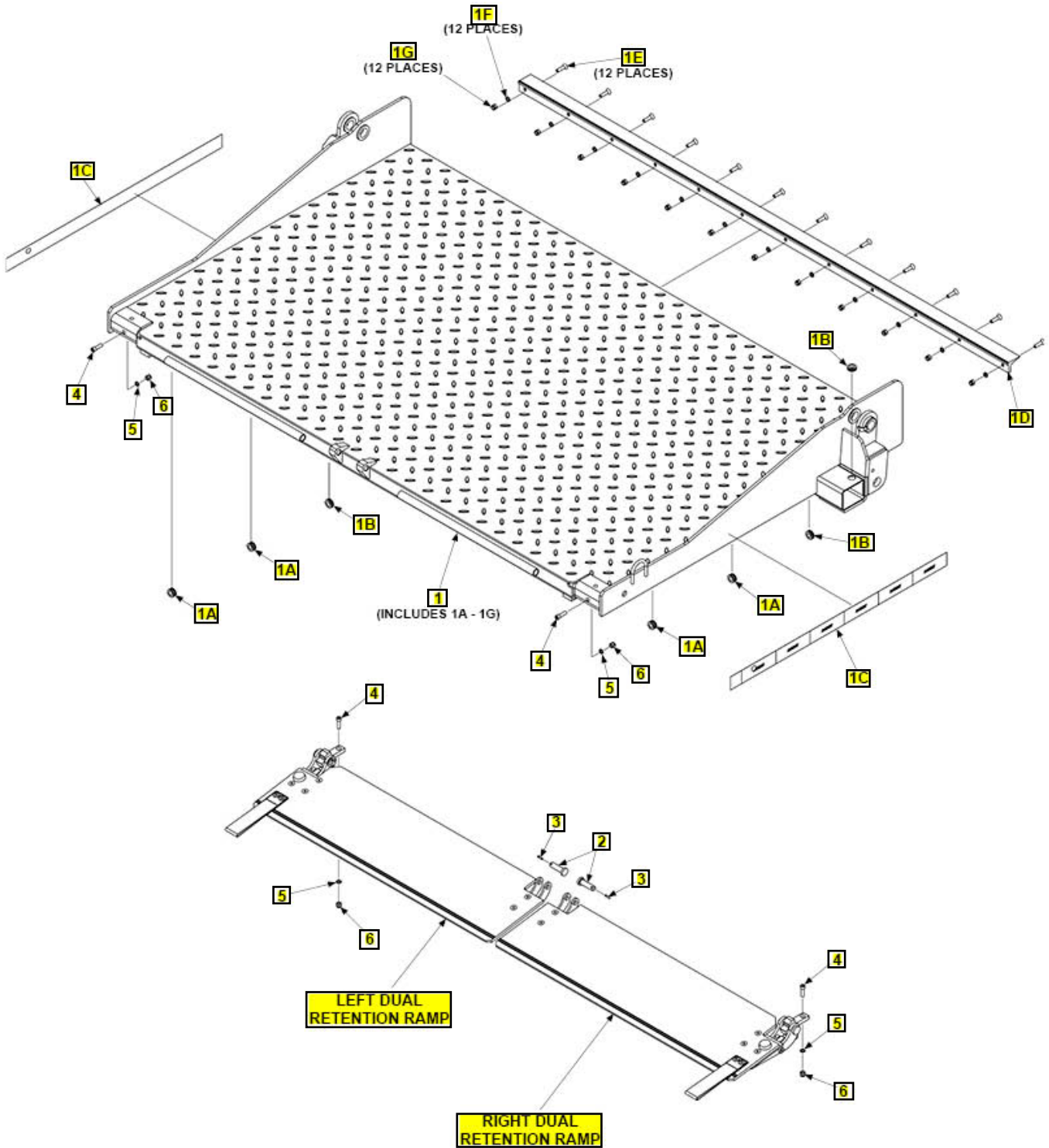
Pos	SKU	Description	Qty	Remark
REF	289005-45G	P/F ASSY,ST 1PC, 86X55,12IN SNGL ARR, GAL	1	
REF	289005-46G	P/F ASSY,ST 1PC, 60X55,12IN SNGL ARR, GAL	1	
REF	289005-47G	P/F ASSY,ST 1PC, 52X55,12IN SNGL ARR, GAL	1	
1	289009-01G	P/F ASSY, STEEL, 86 X 55, GAL	1	
1	289009-02G	P/F ASSY, STEEL, 60 X 55, GAL	1	
1	289009-03G	P/F ASSY, STEEL, 52 X 55, GAL	1	
1A	908144-04	RUBBER GROMMET.56ID, DIA .81 X .25THK PANEL	4	
1B	908144-02	RUBBER GROMMET.63ID, DIA.88 X .125THK PANEL	3	
1C	908150-01	TAPE, CONSPICUITY, MAXON (UOM ROLL, 150FT PER)	1	
1D	288775-01	EXTRUSION, PLATFORM END, 85.94 LG	1	
1D	288775-02	EXTRUSION, PLATFORM END, 59.94 LG	1	
1D	288775-03	EXTRUSION, PLATFORM END, 51.94 LG	1	
1E	900040-6	SCREW, FLHD SOC 3/8-16X1-1/2ZC	12	
1F	902000-10	WASHER, FLAT .375X.063 THK	12	
1G	901002	NUT, NYLON 3/8-16 ZINC	12	
2	288133-01	PIN-RIVET, SOLID FL/HD, .62 DIA X 2.25	1	
3	904719-09	PIN ROLL,.188 X1LG,SS	1	
4	900065-05	SCREW,SCT HD CAP.375-16 X.1.25	2	
5	902000-9	WASHER, FLAT.375X.032 THK	2	
6	901002	NUT, NYLON 3/8-16 ZINC	2	

### PLATFORM ASSEMBLY WITH DUAL RETENTION RAMPS

COMPLETE ASSEMBLY:

**PLATFORM ASSEMBLY WITH DUAL RETENTION RAMPS**

LAST UPDATED  
MAR 2024 to SEPT 2025



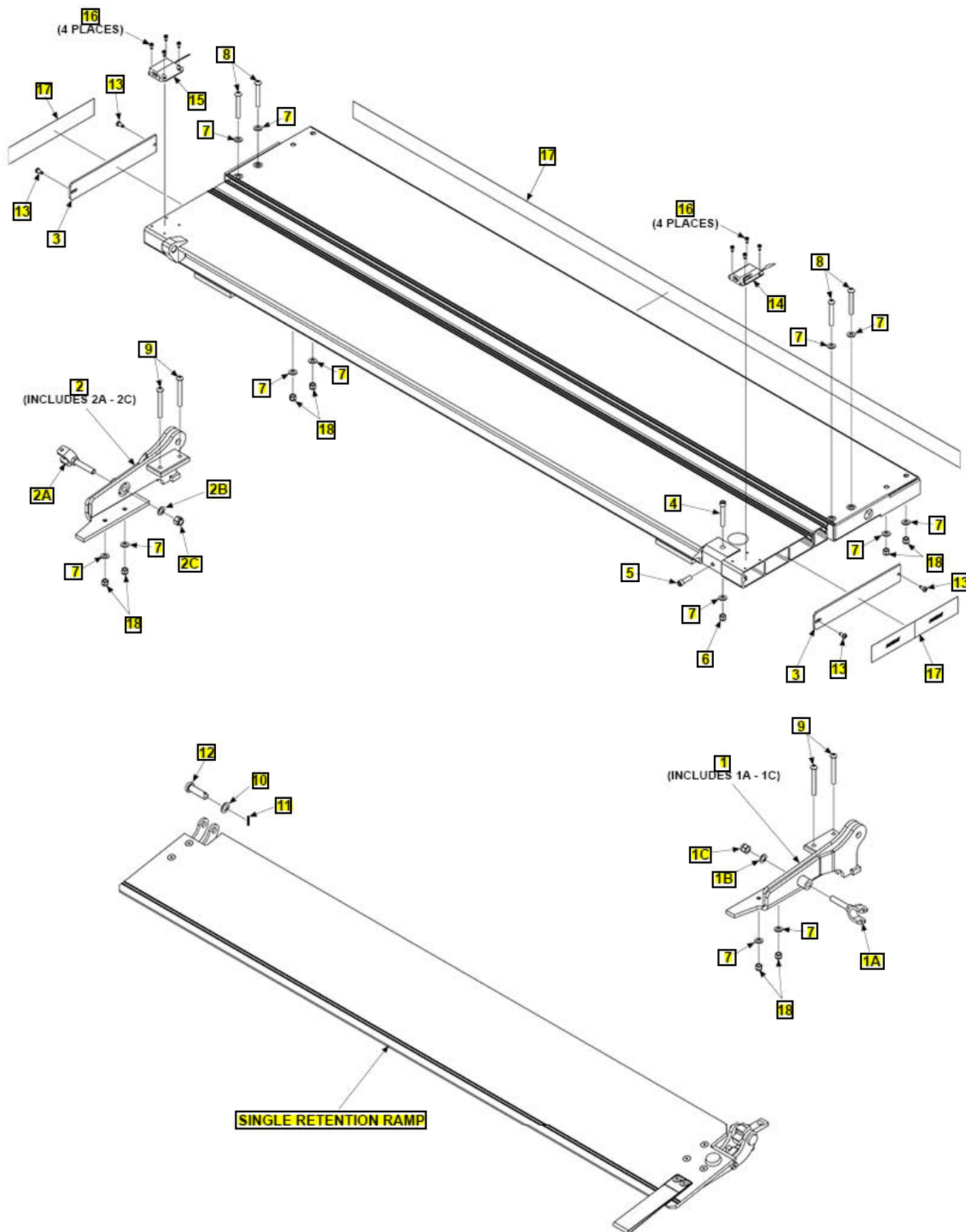
Pos	SKU	Description	Qty	Remark
REF	289005-48G	P/F ASSY,ST 1PC, 86X55,12IN DUAL ARR, GAL	1	
1	289009-04G	P/F ASSY, STEEL, 86 X 55, DRR, GAL	1	
1A	908144-04	RUBBER GROMMET.56ID, DIA .81 X .25THK PANEL	4	
1B	908144-02	RUBBER GROMMET.63ID, DIA.88 X .125THK PANEL	3	
1C	908150-01	TAPE, CONSPICUITY, MAXON (UOM ROLL, 150FT PER)	1	
1D	288775-01	EXTRUSION, PLATFORM END, 85.94 LG	1	
1E	900040-6	SCREW, FLHD SOC 3/8-16X1-1/2ZC	12	
1F	902000-10	WASHER, FLAT .375X.063 THK	12	
1G	901002	NUT, NYLON 3/8-16 ZINC	12	
2	288133-01	PIN-RIVET, SOLID FL/HD, .62 DIA X 2.25	2	
3	904719-09	PIN ROLL,.188 X1LG,SS	2	
4	900065-05	SCREW,SCT HD CAP.375-16 X.1.25	4	
5	902000-9	WASHER, FLAT.375X.032 THK	4	
6	901002	NUT, NYLON 3/8-16 ZINC	4	

FLIPOVER ASSEMBLY WITH SINGLE RETENTION RAMP (FOR DUAL TORSION BARS)

COMPLETE ASSEMBLY:

LAST UPDATED  
MAR 2024 to present

**FLIPOVER ASSEMBLY WITH SINGLE RETENTION RAMP (FOR DUAL TORSION BARS)**



Pos	SKU	Description	Qty	Remark
REF	289080-01	F/O ASSY, AL 24 X 85, 12IN ARR, MAXGRIP	1	
1	289065-02G	HINGE ASSY, FLIP OVER, RH, GAL	1	
1A	289004-02	SLIDER WLDMT, TORSION BAR, 1IN DIA, ZONC	1	
1B	902000-14	WASHER, FLAT .500X.063 THK	1	
1C	901010	NUT, NYLON LOCK 1/2-13 ZC	1	
2	289065-01G	HINGE ASSY, FLIP OVER, LH, GAL	1	
2A	289004-02	SLIDER WLDMT, TORSION BAR, 1IN DIA, ZONC	1	
2B	902000-14	WASHER, FLAT .500X.063 THK	1	
2C	901010	NUT, NYLON LOCK 1/2-13 ZC	1	
3	289042-04	SIDE PLATE, 24" FLIP OVER	2	
4	900065-10	SCREW,SCT HD CAP.375-16 X. 2.5	1	
5	900065-05	SCREW,SCT HD CAP.375-16 X.1.25	1	
6	901002	NUT, NYLON 3/8-16 ZINC	1	
7	902013-11	WASHER, FLAT 3/8" ZC	13	
8	900064-12	SCREW,BTN .38-16X2.75	4	
9	900064-07	SCREW,BTN SCT CAP.375-16 X3.00	4	
10	902028-10	WASHER,FLAT 1.062 OD X .643 ID	1	
11	904719-09	PIN ROLL,.188 X1LG,SS	1	
12	288133-01	PIN-RIVET, SOLID FL/HD, .62 DIA X 2.25	1	
13	900705-02	SCR,SELF TAP,.25-20X0.63 PH,ZC	4	
14	209433-04	LIGHT ASSY,FLASHING,SNGL FLIP, P/F, RH	1	
15	209433-03	LIGHT ASSY,FLASHING,SNGL FLIP, P/F, LH	1	

---

Pos	SKU	Description	Qty	Remark
16	900766-02	SCREW,SELF TAP,10-24X.5 PH,SS	8	
17	908150-01	TAPE, CONSPICUITY, MAXON (UOM ROLL, 150FT PER)	1	
18	901016-4	NUT HEX THN HD LKG.375-16UNC	8	

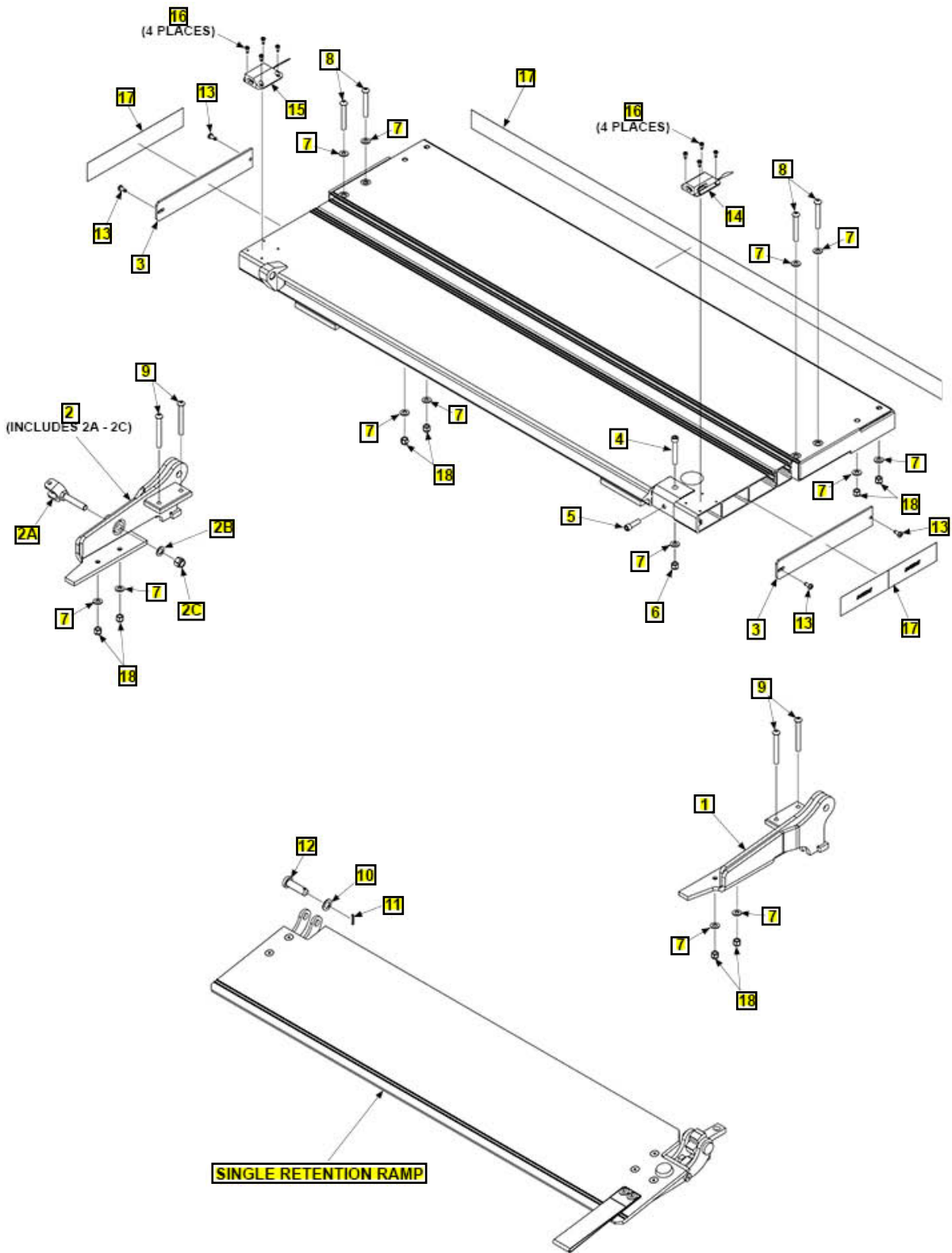
---

**FLIPOVER ASSEMBLY WITH SINGLE RETENTION RAMP (FOR SINGLE TORSION BAR)**

COMPLETE ASSEMBLY:

LAST UPDATED  
MAR 2024 to present

**FLIPOVER ASSEMBLY WITH SINGLE RETENTION RAMP (FOR SINGLE TORSION BAR)**



Pos	SKU	Description	Qty	Remark
REF	289080-02	F/O ASSY, AL 24 X 59, 12IN ARR, MAXGRIP	1	
REF	289080-03	F/O ASSY, AL 24 X 51, 12IN ARR, MAXGRIP	1	
1	289066-04G	HINGE WLDMT, FLIP OVER, NO TB, RH, GAL	1	
2	289065-01G	HINGE ASSY, FLIP OVER, LH, GAL	1	
2A	289004-02	SLIDER WLDMT, TORSION BAR, 1IN DIA, ZONC	1	
2B	902000-14	WASHER, FLAT .500X.063 THK	1	
2C	901010	NUT, NYLON LOCK 1/2-13 ZC	1	
3	289042-04	SIDE PLATE, 24" FLIP OVER	2	
4	900065-10	SCREW,SCT HD CAP.375-16 X. 2.5	1	
5	900065-05	SCREW,SCT HD CAP.375-16 X.1.25	1	
6	901002	NUT, NYLON 3/8-16 ZINC	1	
7	902013-11	WASHER, FLAT 3/8" ZC	13	
8	900064-12	SCREW,BTN .38-16X2.75	4	
9	900064-07	SCREW,BTN SCT CAP.375-16 X3.00	4	
10	902028-10	WASHER,FLAT 1.062 OD X .643 ID	1	
11	904719-09	PIN ROLL,.188 X1LG,SS	1	
12	288133-01	PIN-RIVET, SOLID FL/HD, .62 DIA X 2.25	1	
13	900705-02	SCR,SELF TAP,.25-20X0.63 PH,ZC	4	
14	209433-04	LIGHT ASSY,FLASHING,SNGL FLIP, P/F, RH	1	
15	209433-03	LIGHT ASSY,FLASHING,SNGL FLIP, P/F, LH	1	
16	900766-02	SCREW,SELF TAP,10-24X.5 PH,SS	8	
17	908150-01	TAPE, CONSPICUITY, MAXON (UOM ROLL, 150FT PER)	1	

---

Pos	SKU	Description	Qty	Remark
18	901016-4	NUT HEX THN HD LKG.375-16UNC	8	

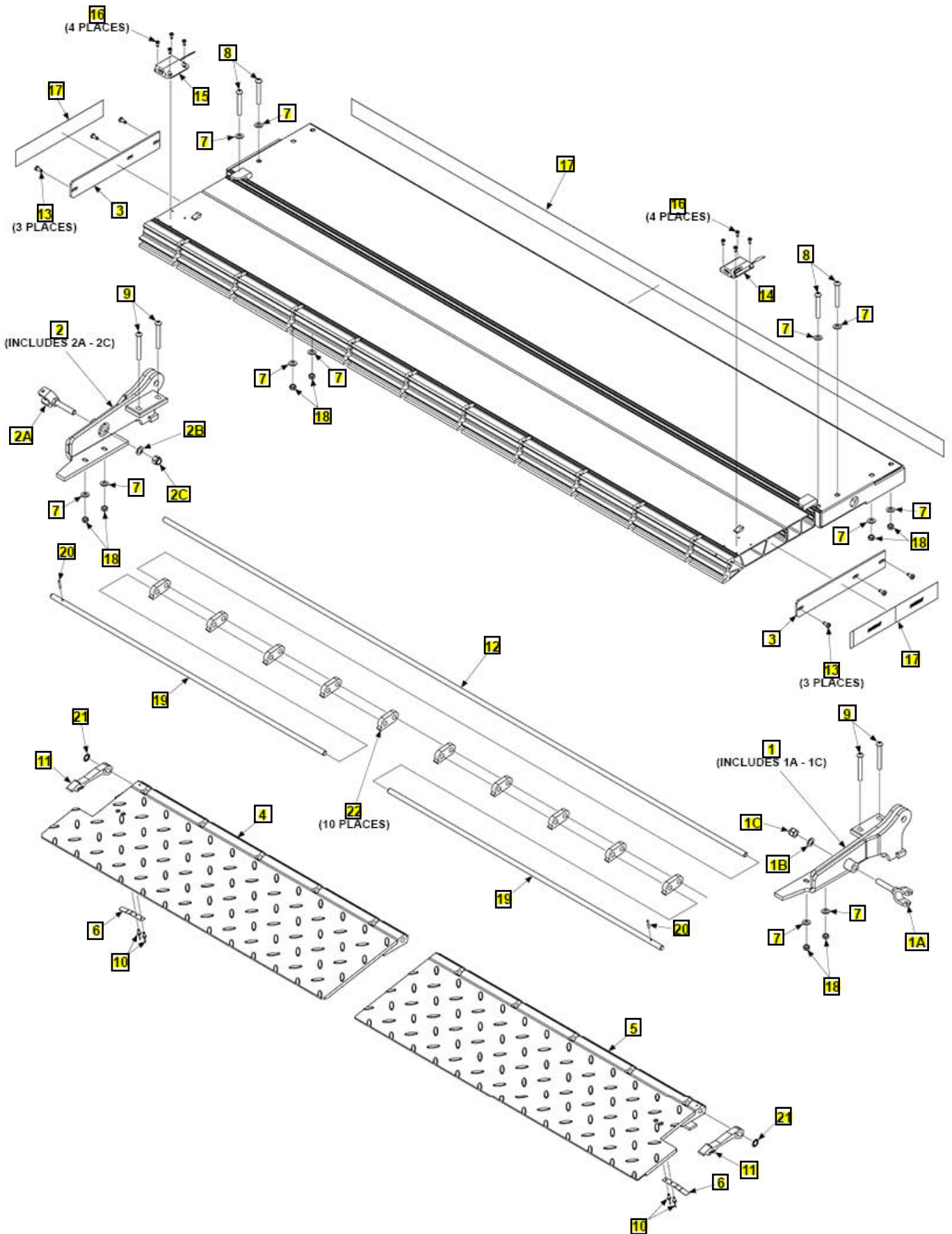
---

FLIPOVER ASSEMBLY WITH DUAL RETENTION RAMPS (FOR DUAL TORSION BARS)

COMPLETE ASSEMBLY:

LAST UPDATED  
OCT 2025 to present

**FLIPOVER ASSEMBLY WITH DUAL RETENTION RAMPS (FOR DUAL TORSION BARS)**



Pos	SKU	Description	Qty	Remark
REF	289008-01	F/O ASSY, AL 24 X 85,12IN DRR, MAXGRIP	1	
1	289065-02G	HINGE ASSY, FLIP OVER, RH, GAL	1	
1A	289004-02	SLIDER WLDMT, TORSION BAR, 1IN DIA, ZONC	1	
1B	902000-14	WASHER, FLAT .500X.063 THK	1	
1C	901010	NUT, NYLON LOCK 1/2-13 ZC	1	
2	289065-01G	HINGE ASSY, FLIP OVER, LH, GAL	1	
2A	289004-02	SLIDER WLDMT, TORSION BAR, 1IN DIA, ZONC	1	
2B	902000-14	WASHER, FLAT .500X.063 THK	1	
2C	901010	NUT, NYLON LOCK 1/2-13 ZC	1	
3	289811-01	SIDE PLATE, 24" FLIP OVER	2	
4	289801-01	RET. RAMP WLDMT, DUAL, 40.38 X 12, LH	1	
5	289801-02	RET. RAMP WLDMT, DUAL, 40.38 X 12, RH	1	
6	267326-01	SPRING,HOOK,RETENTION RAMP	2	
7	902013-11	WASHER, FLAT 3/8" ZC	12	
8	900064-12	SCREW,BTN .38-16X2.75	4	
9	900064-07	SCREW,BTN SCT CAP.375-16 X3.00	4	
10	904005-2	RIVET,BLIND SSTL DOME.187X.565	4	
11	311038-11	HOOK, RETENTION RAMP, .75IN	2	
12	289808-01	ROD, HINGE .50 DIA X 83"LG, 304 SST	1	
13	900705-02	SCR,SELF TAP,.25-20X0.63 PH,ZC	6	
14	209433-04	LIGHT ASSY,FLASHING,SNGL FLIP, P/F, RH	1	
15	209433-03	LIGHT ASSY,FLASHING,SNGL FLIP, P/F, LH	1	

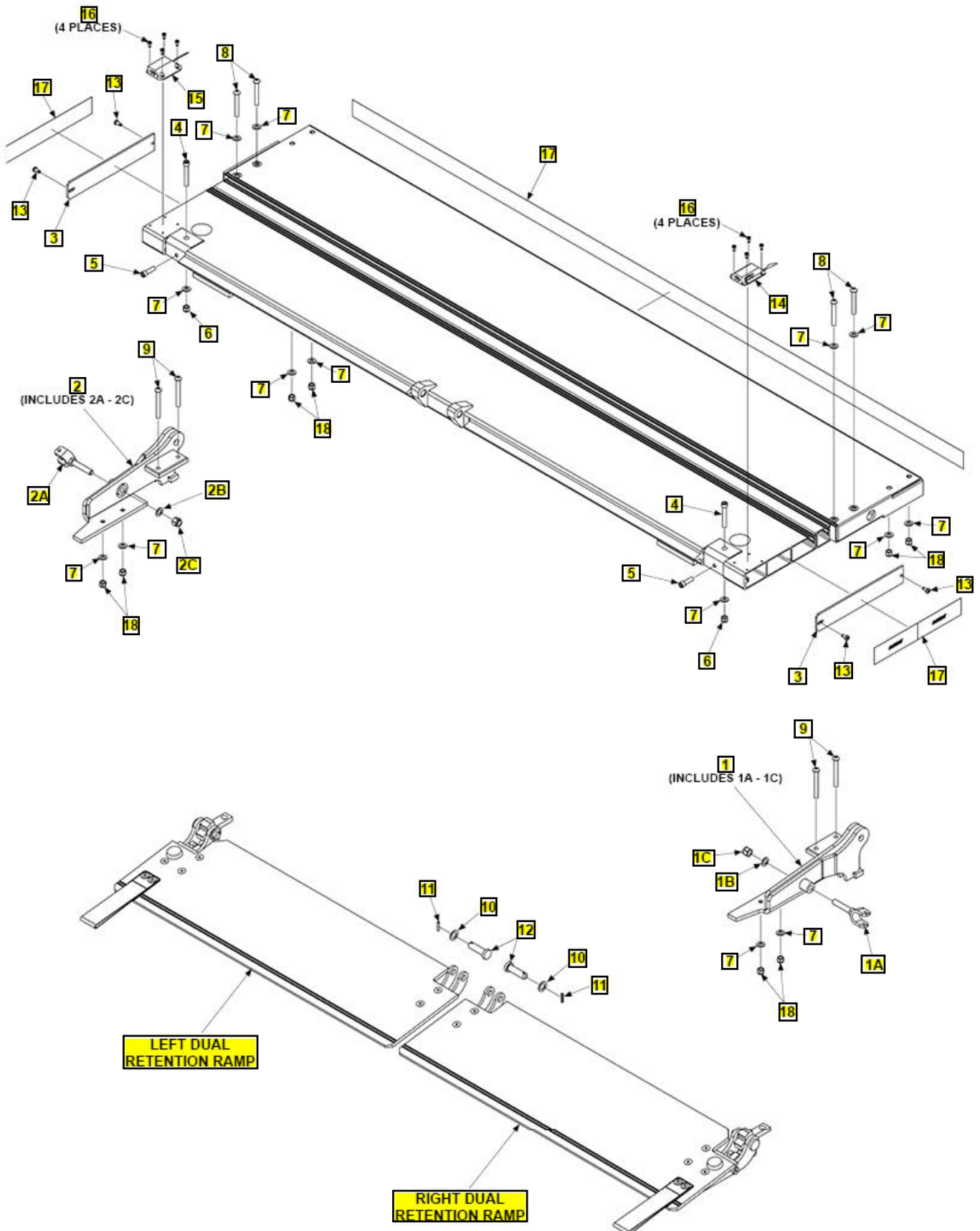
---

Pos	SKU	Description	Qty	Remark
16	900766-02	SCREW,SELF TAP,10-24X.5 PH,SS	8	
17	908150-01	TAPE, CONSPICUITY, MAXON (UOM ROLL, 150FT PER)	1	
18	901016-4	NUT HEX THN HD LKG.375-16UNC	8	
19	267045-22	ROD, HINGE .50 DIA X 39"LG	2	
20	905007-07	PIN ROLL .156 X 1.00 ZINC	2	
21	903420-01	RING, RETAIN,SLF/LCK.50,SS	2	
22	311022-10	HINGE,F/O RAMP,.50LG	10	

---

FLIPOVER ASSEMBLY WITH DUAL RETENTION RAMPS (FOR DUAL TORSION BARS)

LAST UPDATED  
MAR 2024 to Sept 2025



Pos	SKU	Description	Qty	Remark
REF	289008-01	F/O ASSY, AL 24 X 85,12IN DRR, MAXGRIP	1	
1	289065-02G	HINGE ASSY, FLIP OVER, RH, GAL	1	
1A	289004-02	SLIDER WLDMT, TORSION BAR, 1IN DIA, ZONC	1	
1B	902000-14	WASHER, FLAT .500X.063 THK	1	
1C	901010	NUT, NYLON LOCK 1/2-13 ZC	1	
2	289065-01G	HINGE ASSY, FLIP OVER, LH, GAL	1	
2A	289004-02	SLIDER WLDMT, TORSION BAR, 1IN DIA, ZONC	1	
2B	902000-14	WASHER, FLAT .500X.063 THK	1	
2C	901010	NUT, NYLON LOCK 1/2-13 ZC	1	
3	289042-04	SIDE PLATE, 24" FLIP OVER	2	
4	900065-10	SCREW,SCT HD CAP.375-16 X. 2.5	2	
5	900065-05	SCREW,SCT HD CAP.375-16 X.1.25	2	
6	901002	NUT, NYLON 3/8-16 ZINC	2	
7	902013-11	WASHER, FLAT 3/8" ZC	14	
8	900064-12	SCREW,BTN .38-16X2.75	4	
9	900064-07	SCREW,BTN SCT CAP.375-16 X3.00	4	
10	902028-10	WASHER,FLAT 1.062 OD X .643 ID	2	
11	904719-09	PIN ROLL,.188 X1LG,SS	2	
12	288133-01	PIN-RIVET, SOLID FL/HD, .62 DIA X 2.25	2	
13	900705-02	SCR,SELF TAP,.25-20X0.63 PH,ZC	4	
14	209433-04	LIGHT ASSY,FLASHING,SNGL FLIP, P/F, RH	1	
15	209433-03	LIGHT ASSY,FLASHING,SNGL FLIP, P/F, LH	1	

---

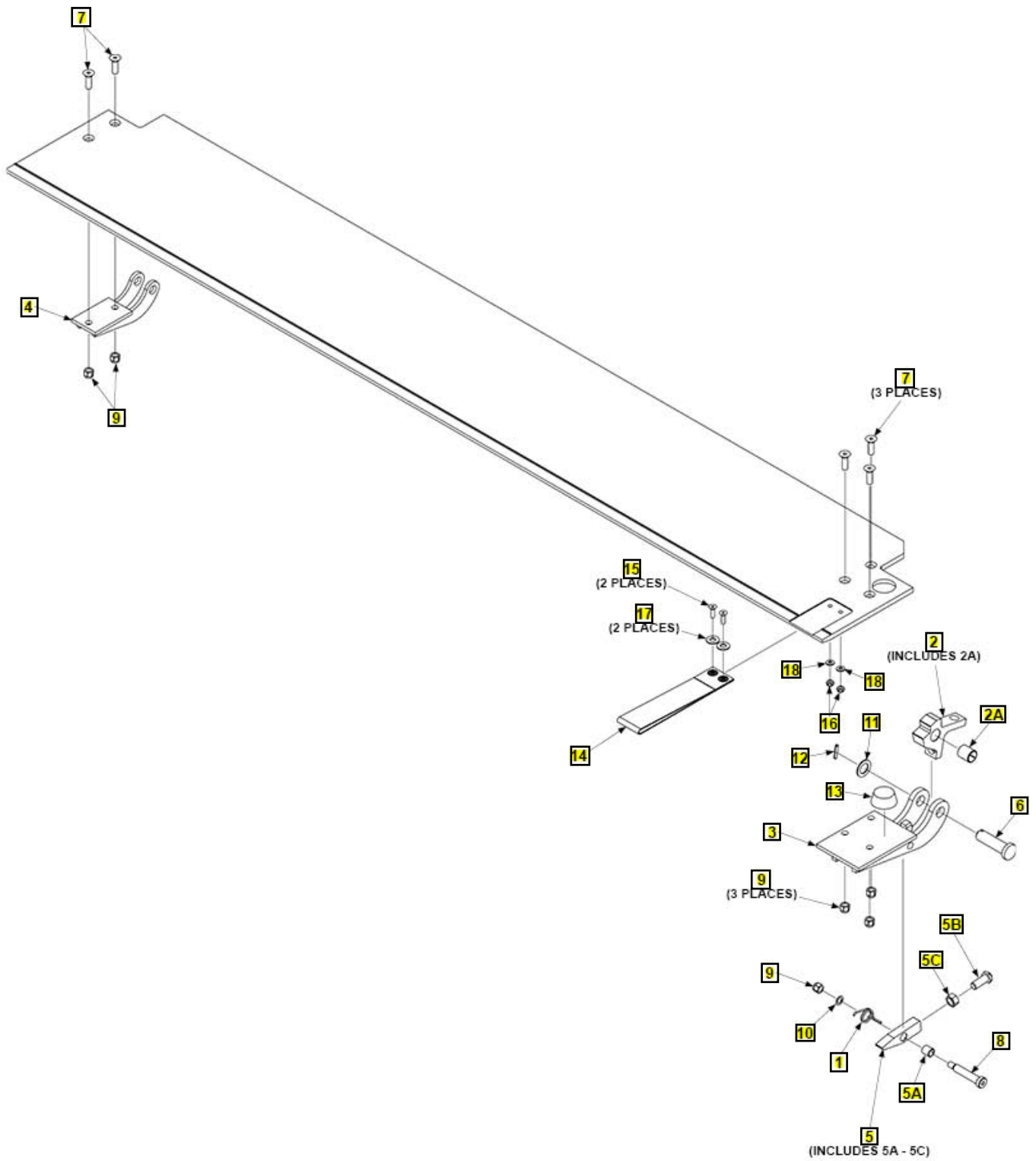
Pos	SKU	Description	Qty	Remark
16	900766-02	SCREW,SELF TAP,10-24X.5 PH,SS	8	
17	908150-01	TAPE, CONSPICUITY, MAXON (UOM ROLL, 150FT PER)	1	
18	901016-4	NUT HEX THN HD LKG.375-16UNC	8	

---

### SINGLE RETENTION RAMP

COMPLETE ASSEMBLY:  
**SINGLE RETENTION RAMP**

LAST UPDATED  
MAR 2024 to present



Pos	SKU	Description	Qty	Remark
REF	289045-01	RAMP ASSY, RETENTION, SNGL, 77.5LG	1	
REF	289045-02	RAMP ASSY, RETENTION, SNGL, 84LG	1	
REF	289045-03	RAMP ASSY, RETENTION, SNGL, 58LG	1	
REF	289045-04	RAMP ASSY, RETENTION, SNGL, 50LG	1	
REF	289045-05	RAMP ASSY, RETENTION, SNGL, 51.5LG	1	
REF	289045-06	RAMP ASSY, RETENTION, SNGL, 43.5LG	1	
1	288132-01	TORSION SPRING, ARR LATCH	1	
2	288135-01	LATCH ASSY, AL RET RAMP	1	
2A	260917-06	BEARING SELFLUBE 3/4X1(260747)	1	
3	288140-01	ARM WLDMT, ARR, LH	1	
4	288145-01	ARM WLDMT, ARR, LH	1	
5	288150-01	ARM ASSY, ARR LOCKING	1	
5A	905121-02	BEARING, SELF LUBE 1/2X5/8	1	
5B	288244-01	SCREW, CAP .5-20X1.25 ZC	1	
5C	901011-10	NUT, HEX HEAD .500-20 UNF-2B	1	
6	288245-01	PIN-RIVET, SLD FL/HD, .75 DIA X 2.75	1	
7	900061-5	SCR FLH SOC .375-16 1.25LG SST	5	
8	900048-10	SCREW, SHOULDER 1/2X3/8-16,2.25L	1	
9	901002	NUT, NYLON 3/8-16 ZINC	6	
10	902000-9	WASHER, FLAT.375X.032 THK	1	
11	902028-12	WASHER,FLAT 1.250 OD X .757 ID	1	
12	904719-09	PIN ROLL,.188 X1LG,SS	1	

---

Pos	SKU	Description	Qty	Remark
13	905380-01	BUMPER, CONICAL, 1.75 DIA X.75	1	
14	908122-01	HANDLE, NYL STRAP 2"W W/GROMS 7"LG	1	
15	900711-04	SCREW, SOC FL .25-20X.88 SS	2	
16	903132-01	NUT, NYL INSRT, THN .25-20, SS	2	
17	903409-03	WASHER,FEND .41 X.88OD,SS	2	
18	903412-01	WASHER,FLAT .25,SS	2	

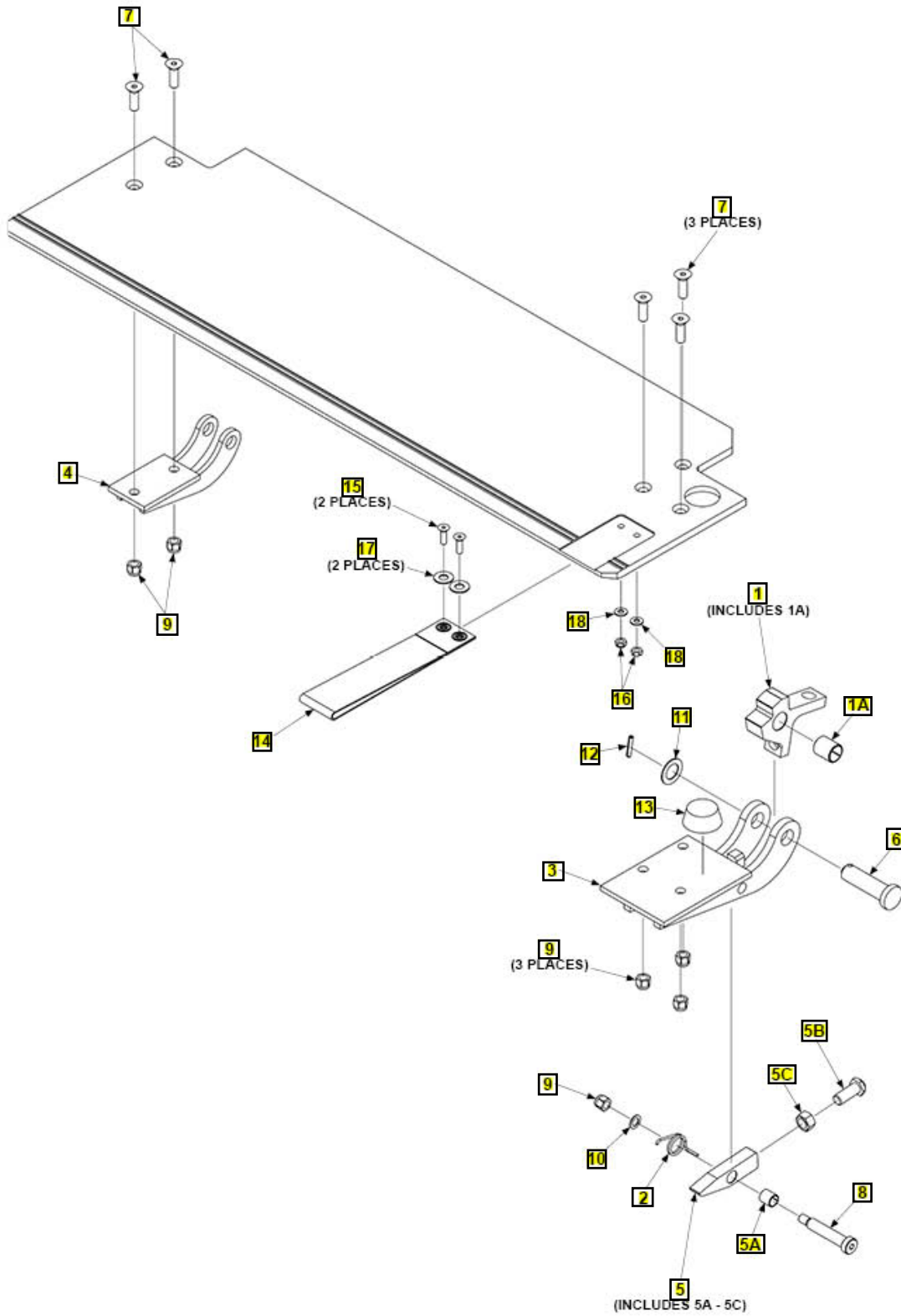
---

### RIGHT DUAL RETENTION RAMP

COMPLETE ASSEMBLY:

**RIGHT DUAL RETENTION RAMP**

LAST UPDATED  
MAR 2024 to SEPT 2025



Pos	SKU	Description	Qty	Remark
REF	288995-01	RAMP ASSY, RETENTION, DUAL, RH, 38.38LG	1	
REF	288995-05	RAMP ASSY, RETENTION, DUAL, RH, 41.94 LG	1	
1	288135-01	LATCH ASSY, AL RET RAMP	1	
1A	260917-06	BEARING SELFLUBE 3/4X1(260747)	1	
2	288132-01	TORSION SPRING, ARR LATCH	1	
3	288140-01	ARM WLDMT, ARR, LH	1	
4	288145-01	ARM WLDMT, ARR, LH	1	
5	288150-01	ARM ASSY, ARR LOCKING	1	
5A	905121-02	BEARING, SELF LUBE 1/2X5/8	1	
5B	288244-01	SCREW, CAP .5-20X1.25 ZC	1	
5C	901011-10	NUT, HEX HEAD .500-20 UNF-2B	1	
6	288245-01	PIN-RIVET, SLD FL/HD, .75 DIA X 2.75	1	
7	900061-5	SCR FLH SOC .375-16 1.25LG SST	5	
8	900048-10	SCREW, SHOULDER 1/2X3/8-16,2.25L	1	
9	901002	NUT, NYLON 3/8-16 ZINC	6	
10	902000-9	WASHER, FLAT.375X.032 THK	1	
11	902028-12	WASHER,FLAT 1.250 OD X .757 ID	1	
12	904719-09	PIN ROLL,.188 X1LG,SS	1	
13	905380-01	BUMPER, CONICAL, 1.75 DIA X.75	1	
14	908122-01	HANDLE, NYL STRAP 2"W W/GROMS 7"LG	1	
15	900711-04	SCREW, SOC FL .25-20X.88 SS	2	
16	903132-01	NUT, NYL INSRT, THN .25-20, SS	2	

---

Pos	SKU	Description	Qty	Remark
17	903409-03	WASHER,FEND .41 X.88OD,SS	2	
18	903412-01	WASHER,FLAT .25,SS	2	

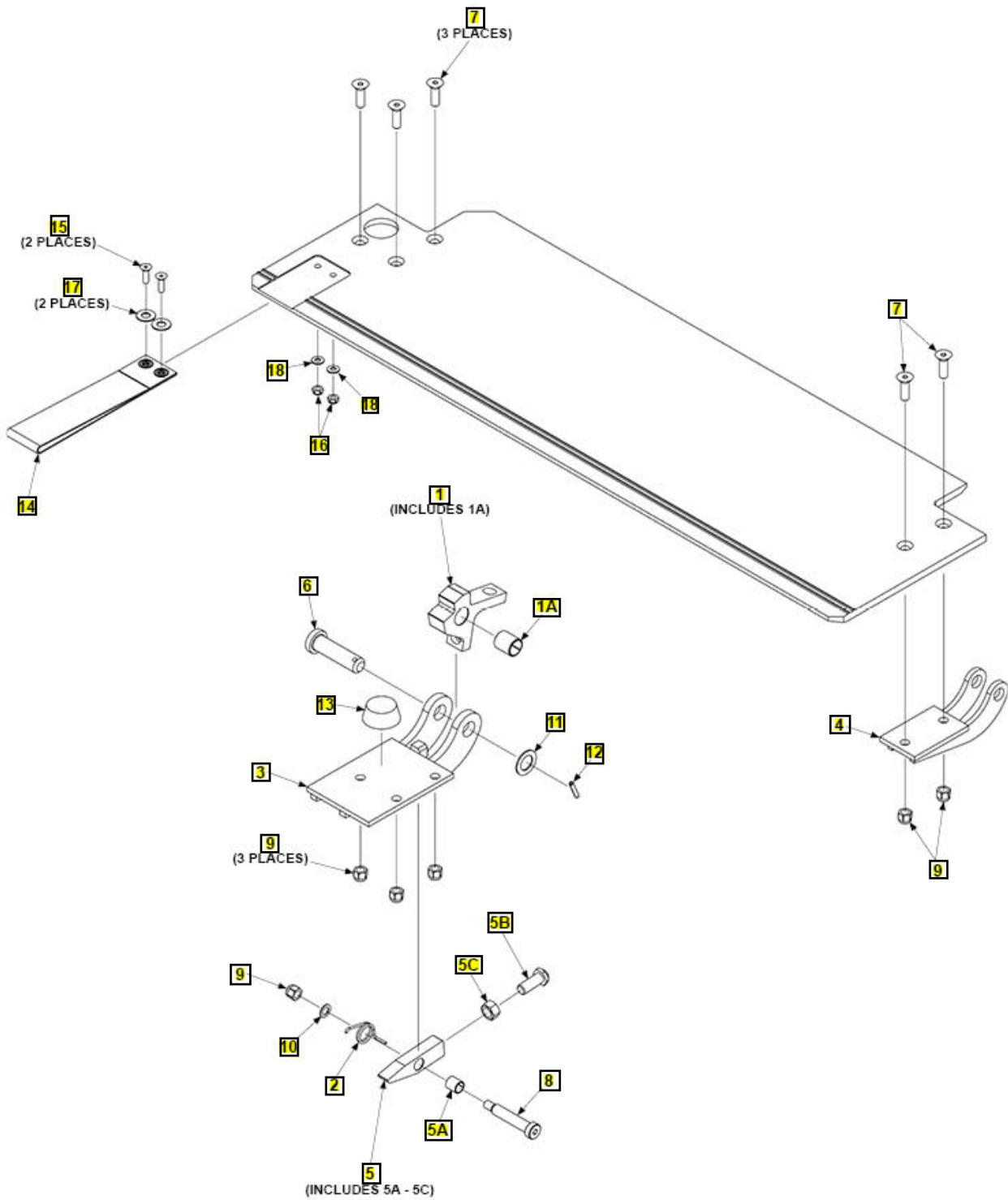
---

### LEFT DUAL RETENTION RAMP

COMPLETE ASSEMBLY:

**LEFT DUAL RETENTION RAMP**

LAST UPDATED  
MAR 2024 to SEPT 2025



Pos	SKU	Description	Qty	Remark
REF	288995-02	RAMP ASSY, RETENTION, DUAL, LH, 38.38LG	1	
REF	288995-06	RAMP ASSY, RETENTION, DUAL, LH, 41.94 LG	1	
1	288135-01	LATCH ASSY, AL RET RAMP	1	
1A	260917-06	BEARING SELFLUBE 3/4X1(260747)	1	
2	288132-01	TORSION SPRING, ARR LATCH	1	
3	288140-02	ARM WLDMT, ARR, RH	1	
4	288145-01	ARM WLDMT, ARR, LH	1	
5	288150-01	ARM ASSY, ARR LOCKING	1	
5A	905121-02	BEARING, SELF LUBE 1/2X5/8	1	
5B	288244-01	SCREW, CAP .5-20X1.25 ZC	1	
5C	901011-10	NUT, HEX HEAD .500-20 UNF-2B	1	
6	288245-01	PIN-RIVET, SLD FL/HD, .75 DIA X 2.75	1	
7	900061-5	SCR FLH SOC .375-16 1.25LG SST	5	
8	900048-10	SCREW, SHOULDER 1/2X3/8-16,2.25L	1	
9	901002	NUT, NYLON 3/8-16 ZINC	6	
10	902000-9	WASHER, FLAT.375X.032 THK	1	
11	902028-12	WASHER,FLAT 1.250 OD X .757 ID	1	
12	904719-09	PIN ROLL,.188 X1LG,SS	1	
13	905380-01	BUMPER, CONICAL, 1.75 DIA X.75	1	
14	908122-01	HANDLE, NYL STRAP 2"W W/GROMS 7"LG	1	
15	900711-04	SCREW, SOC FL .25-20X.88 SS	2	
16	903132-01	NUT, NYL INSRT, THN .25-20, SS	2	

---

Pos	SKU	Description	Qty	Remark
17	903409-03	WASHER,FEND .41 X.88OD,SS	2	
18	903412-01	WASHER,FLAT .25,SS	2	

---

**RA**  
**HYDRAULIC SYSTEMS**

- Gravity Down (Side Mount Pump)
- Gravity Down (Center Mount Pump)
  
- Power Down (Side Mount Pump)
- Power Down (Center Mount Pump)

---

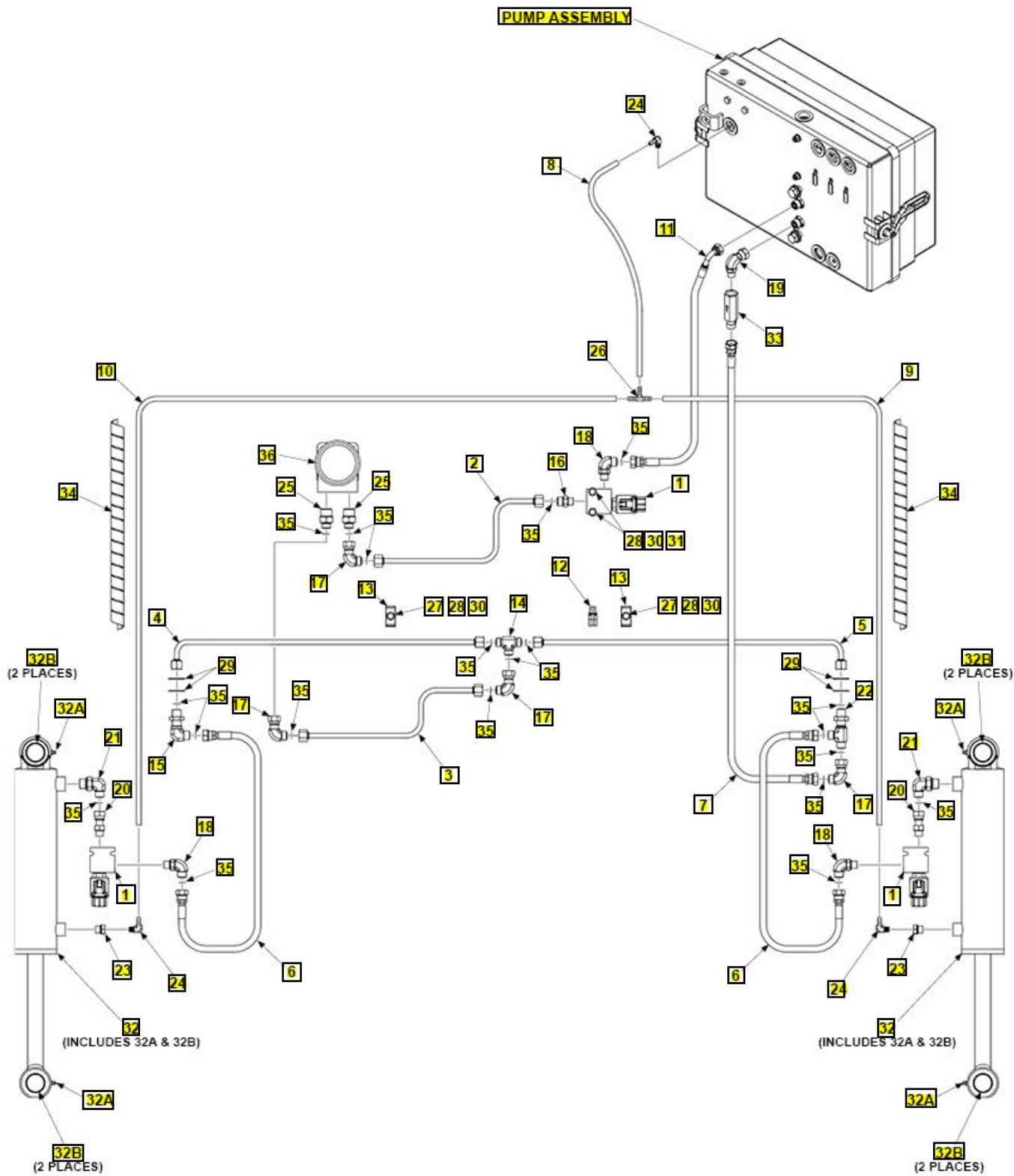
Pos	SKU	Description	Qty	Remark
-----	-----	-------------	-----	--------

---

HYDRAULIC SYSTEMS - GRAVITY DOWN (SIDE MOUNT PUMP)

LAST UPDATED  
MAR 2024 to present

PUMP ASSEMBLY

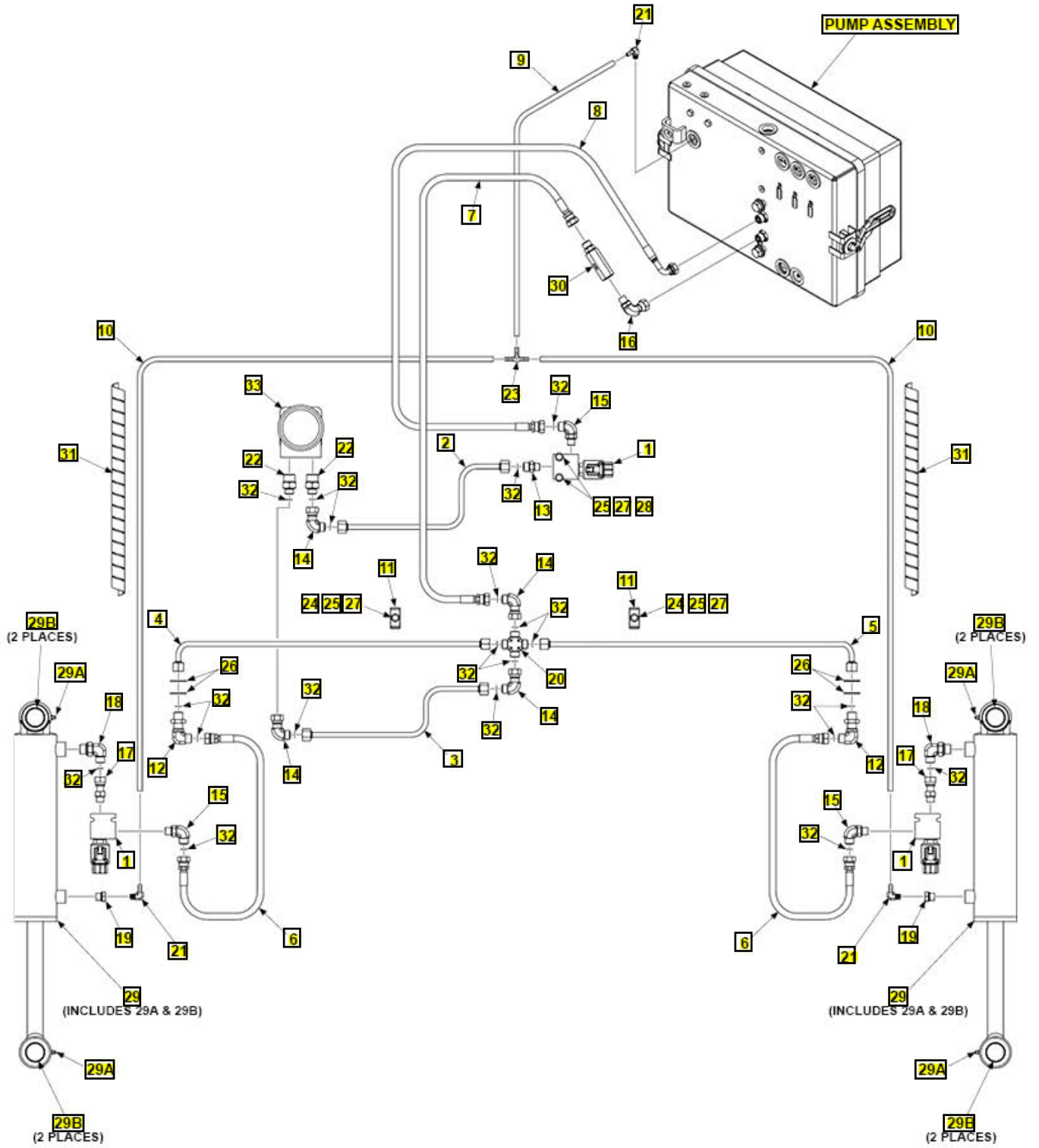


Pos	SKU	Description	Qty	Remark
1	289099-02	LOCK VALVE ASSY, 12V, BI-DIRECTIONAL	3	
1	289099-04	LOCK VALVE ASSY, 24V, BI-DIRECTIONAL	3	
2	289126-02	F/S TUBE ASSY, HYD. MOTOR, SIDE PUMP	1	
3	289126-01	F/S TUBE ASSY, HYD. MOTOR, SIDE PUMP	1	
4	289136-01	F/S,TUBE ASSY,SIDE MNT PMP,UP LINE,LH	1	
5	289136-02	F/S,TUBE ASSY,SIDE MNT PMP,UP LINE,RH	1	
6	289123-01	HOSE ASSY,1/4 HP, SAE #6 F, SW STR	2	
7	289123-02	HOSE ASSY,1/4 HP, SAE #6 F, SW STR,PMP	1	
8	099995-14	TUBING, PVC, 3/8ODX1 /4IDX14"LG	1	
9	099995-42	TUBING, PVC, 3/8ODX1 /4IDX42"LG	1	
10	099995-87	TUBING, PVC, 3/8ODX1 /4IDX87"LG	1	
11	289125-01	HOSE ASSY,1/4HP, SAE#6 F,SW 90 DEGREE	1	
12	214675	CLAMP, #12 RUBBER LOOM	1	
13	905071-01	DOUBLE-LINE PLASTIC CLAMP, .38 DIA	2	
14	905150	TEE, UNION 3/8 F.S. MALE,6-JLO	1	
15	905162	ELBOW BULKHEAD UNION F/S #6	1	
16	905173	CONNECTOR F/S#6&O-R#6, M-M	1	
17	906800-01	ELBOW, SW NUT, ORFS M/F, #6	4	
18	906707-01	ELBOW, NPSC,SAE #6 F/S O-R M-M	3	
19	906708-01	ELBOW, NPSC,SAE #6 O-R M-F SW	1	

Pos	SKU	Description	Qty	Remark
20	906751-01	FITTING SAE#6M/SW F STR O-RING	2	
21	906924-01	ELBOW, STR THD, #6 ORFS/#8 SAE-ORB	2	
22	906748-01	BULKHEAD RUN TEE,SAE#6 F/S,M	1	
23	906925-02	PIPE ADAPTER, SAE-ORB/NPTF,6-1/8	2	
24	906975-01	ELBOW, BARBED, BRASS,1/4 ID, 1/8 NPTF MALE	3	
25	906968-01	CONNECTOR, STR, M-M ORFS#6/ORB#10	2	
26	906977-01	TEE, BARBED, BRASS, 1/4 HOSE ID, MALE	1	
27	900004-6	SCREW, CAP 1/4-20X1-1/2 GR8 ZC	2	
28	902013-09	WASHER1/4"ZINC- SAME030564	8	
29	902028-12	WASHER,FLAT 1.250 OD X .757 ID	4	
30	901000	NUT, NYLON 1/4-20 ZINC	4	
31	900004-8	SCREW, CAP 1/4-20X2 GR8 ZC	2	
32	297522-01	CYL DIA 3.00 BORE X 10ST. S/LB/BUSH	2	
32A	224342	FITTING, GREASE 1/4"SELF DRILL	2	
32B	905112-03	BEARING, SELF LUBE 1-3/8X1-3/8	4	
33	288518-03	VALVE,3GPM,SAE#6 M/F,PRESSURE COMP	1	
34	907378-11	SPIRAL BUNDLING WRAP, .75DIA OD X 20IN LG	2	
35	906712-02	O-RING #6, 3/8 ORFS TUBE END	20	
36	288226-01	MOTOR, HYD, 9.4 DISPL	1	

HYDRAULIC SYSTEMS - GRAVITY DOWN (CENTER MOUNT PUMP)

LAST UPDATED  
MAR 2024 to present

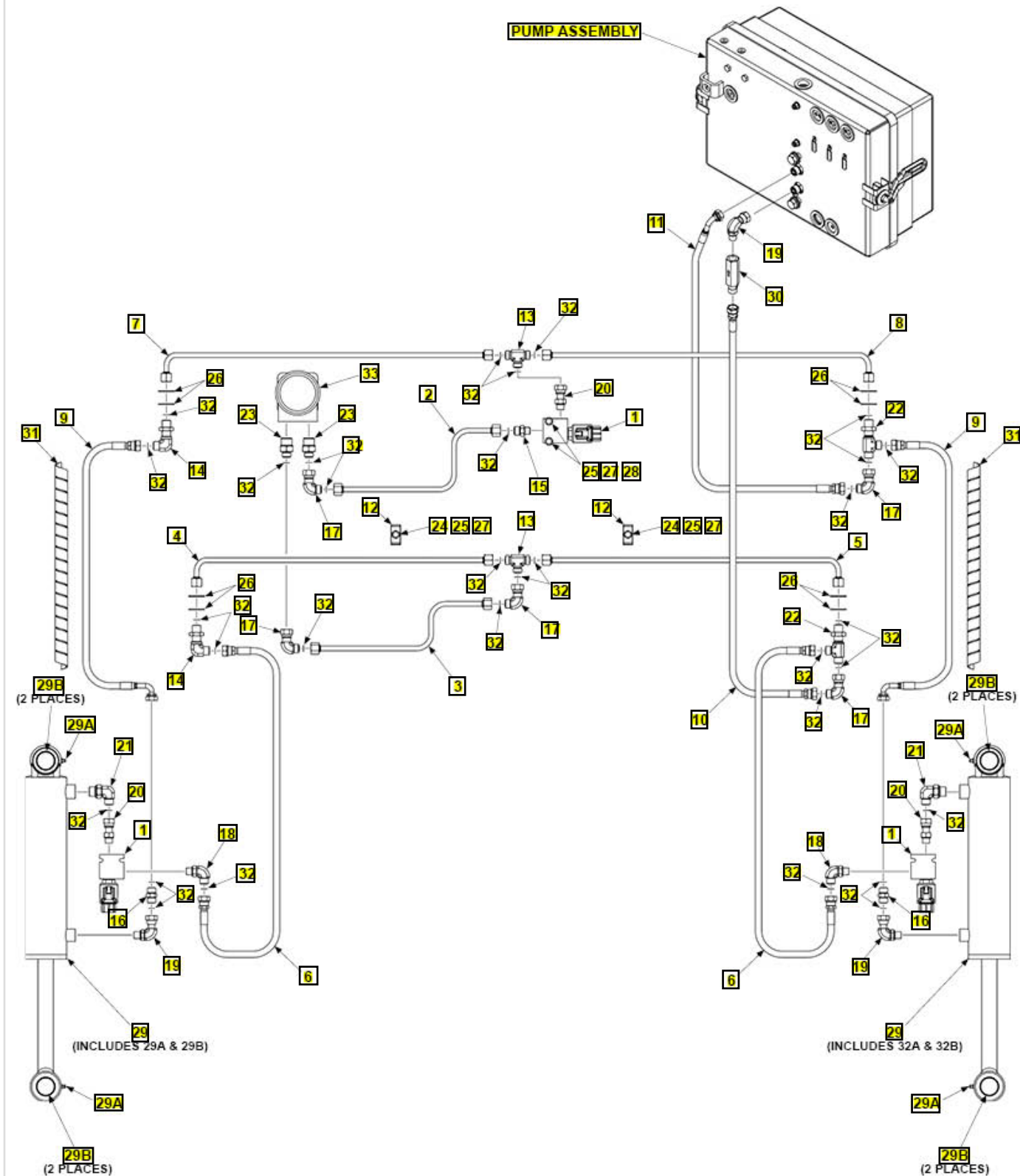


Pos	SKU	Description	Qty	Remark
1	289099-02	LOCK VALVE ASSY, 12V, BI-DIRECTIONAL	3	
1	289099-04	LOCK VALVE ASSY, 24V, BI-DIRECTIONAL	3	
2	289126-04	F/S TUBE ASSY, HYD. MOTOR, CENTER PUMP	1	
3	289126-03	F/S TUBE ASSY, HYD. MOTOR, CENTER PUMP	1	
4	289136-03	F/S TUBE ASSY,CNTR MNT PMP MD,UP LINE,LH	1	
4	289136-05	F/S TUBE ASSY,CNTR MNT PMP SM,UP LINE,LH	1	
5	289136-04	F/S TUBE ASSY,CNTR MNT PMP MD,UP LINE,RH	1	
5	289136-06	F/S TUBE ASSY,CNTR MNT PMP SM,UP LINE,RH	1	
6	289123-01	HOSE ASSY,1/4 HP, SAE #6 F, SW STR	2	
7	289123-02	HOSE ASSY,1/4 HP, SAE #6 F, SW STR,PMP	1	
8	289124-03	HOSE ASSY, 1/4 HP, SAE#6,F,SW 90 DEGREE	1	
9	099995-14	TUBING, PVC, 3/8ODX1 /4IDX14"LG	1	
10	099995-46	TUBING, PVC, 3/8ODX1 /4IDX46"LG	1	
10	099995-50	TUBING, PVC, 3/8ODX1 /4IDX50"LG	1	
11	905071-01	DOUBLE-LINE PLASTIC CLAMP, .38 DIA	2	
12	905162	ELBOW BULKHEAD UNION F/S #6	2	
13	905173	CONNECTOR F/S#6&O-R#6, M-M	1	
14	906800-01	ELBOW, SW NUT, ORFS M/F, #6	4	
15	906707-01	ELBOW, NPSC,SAE #6 F/S O-R M-M	3	
16	906708-01	ELBOW, NPSC,SAE #6 O-R M-F SW	1	

Pos	SKU	Description	Qty	Remark
17	906751-01	FITTING SAE#6M/SW F STR O-RING	2	
18	906924-01	ELBOW, STR THD, #6 ORFS/#8 SAE-ORB	2	
19	906925-02	PIPE ADAPTER, SAE-ORB/NPTF,6-1/8	2	
20	906971-01	CROSS, UNION, ORFS #6	1	
21	906975-01	ELBOW, BARBED, BRASS,1/4 ID, 1/8 NPTF MALE	3	
22	906968-01	CONNECTOR, STR, M-M ORFS#6/ORB#10	2	
23	906977-01	TEE, BARBED, BRASS, 1/4 HOSE ID, MALE	1	
24	900004-6	SCREW, CAP 1/4-20X1-1/2 GR8 ZC	2	
25	902013-09	WASHER1/4"ZINC- SAME030564	8	
26	902028-12	WASHER,FLAT 1.250 OD X .757 ID	4	
27	901000	NUT, NYLON 1/4-20 ZINC	4	
28	900004-8	SCREW, CAP 1/4-20X2 GR8 ZC	2	
29	297522-01	CYL DIA 3.00 BORE X 10ST. S/LB/BUSH	2	
29A	224342	FITTING, GREASE 1/4"SELF DRILL	2	
29B	905112-03	BEARING, SELF LUBE 1-3/8X1-3/8	4	
30	288518-03	VALVE,3GPM,SAE#6 M/F,PRESSURE COMP	1	
31	907378-11	SPIRAL BUNDLING WRAP, .75DIA OD X 20IN LG	2	
32	906712-02	O-RING #6, 3/8 ORFS TUBE END	19	
33	288226-01	MOTOR, HYD, 9.4 DISPL	1	

HYDRAULIC SYSTEMS - POWER DOWN (SIDE MOUNT PUMP)

LAST UPDATED  
MAR 2024 to present

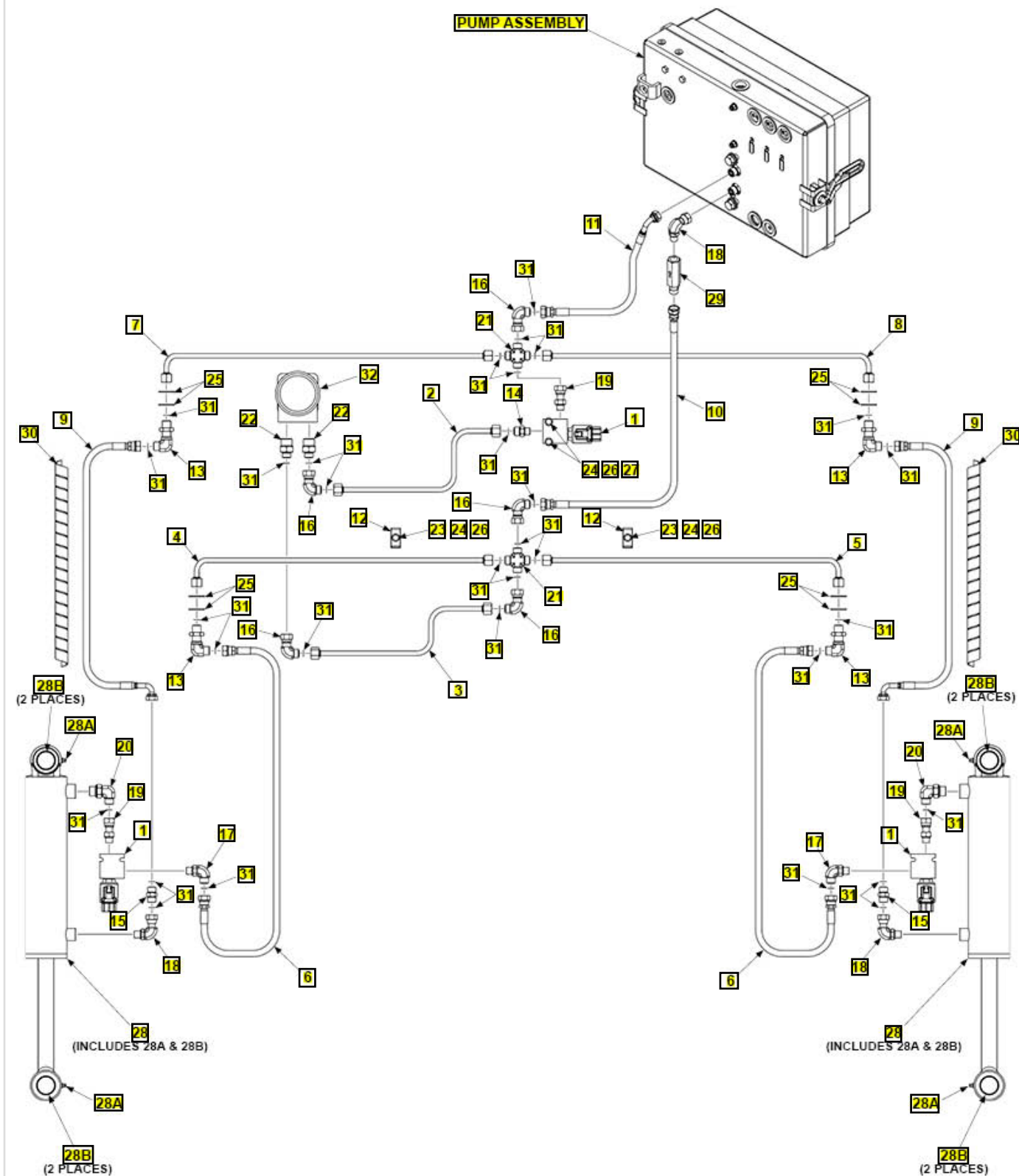


Pos	SKU	Description	Qty	Remark
1	289099-02	LOCK VALVE ASSY, 12V, BI-DIRECTIONAL	3	
1	289099-04	LOCK VALVE ASSY, 24V, BI-DIRECTIONAL	3	
2	289126-02	F/S TUBE ASSY, HYD. MOTOR, SIDE PUMP	1	
3	289126-01	F/S TUBE ASSY, HYD. MOTOR, SIDE PUMP	1	
4	289136-01	F/S,TUBE ASSY,SIDE MNT PMP,UP LINE,LH	1	
5	289136-02	F/S,TUBE ASSY,SIDE MNT PMP,UP LINE,RH	1	
6	289123-01	HOSE ASSY,1/4 HP, SAE #6 F, SW STR	2	
7	289137-01	F/S,TUBE ASSY,SIDE MNT PMP,DN LINE,LH	1	
8	289137-02	F/S,TUBE ASSY,SIDE MNT PMP,DN LINE,RH	1	
9	289122-01	HOSE ASSY, 1/4 HP, SAE #6, F, SW, 90 DEGREE SHRT DRP	2	
10	289123-02	HOSE ASSY,1/4 HP, SAE #6 F, SW STR,PMP	1	
11	289125-02	HOSE ASSY,1/4HP, SAE#6 F,SW 90 DEGREE, PD	1	
12	905071-01	DOUBLE-LINE PLASTIC CLAMP, .38 DIA	2	
13	905150	TEE, UNION 3/8 F.S. MALE,6-JLO	2	
14	905162	ELBOW BULKHEAD UNION F/S #6	2	
15	905173	CONNECTOR F/S#6&O-R#6, M-M	1	
16	905175	UNION F/S #6 M-M	2	
17	906800-01	ELBOW, SW NUT, ORFS M/F, #6	5	
18	906707-01	ELBOW, NPSC,SAE #6 F/S O-R M-M	2	
19	906708-01	ELBOW, NPSC,SAE #6 O-R M-F SW	3	

Pos	SKU	Description	Qty	Remark
20	906751-01	FITTING SAE#6M/SW F STR O-RING	3	
21	906924-01	ELBOW, STR THD, #6 ORFS/#8 SAE-ORB	2	
22	906748-01	BULKHEAD RUN TEE,SAE#6 F/S,M	2	
23	906968-01	CONNECTOR, STR, M-M ORFS#6/ORB#10	2	
24	900004-6	SCREW, CAP 1/4-20X1-1/2 GR8 ZC	2	
25	902013-09	WASHER1/4"ZINC- SAME030564	8	
26	902028-12	WASHER,FLAT 1.250 OD X .757 ID	8	
27	901000	NUT, NYLON 1/4-20 ZINC	4	
28	900004-8	SCREW, CAP 1/4-20X2 GR8 ZC	2	
29	297522-01	CYL DIA 3.00 BORE X 10ST. S/LB/BUSH	2	
29A	224342	FITTING, GREASE 1/4"SELF DRILL	2	
29B	905112-03	BEARING, SELF LUBE 1-3/8X1-3/8	4	
30	288518-03	VALVE,3GPM,SAE#6 M/F,PRESSURE COMP	1	
31	907378-11	SPIRAL BUNDLING WRAP, .75DIA OD X 20IN LG	2	
32	906712-02	O-RING #6, 3/8 ORFS TUBE END	32	
33	288226-01	MOTOR, HYD, 9.4 DISPL	1	

HYDRAULIC SYSTEMS - POWER DOWN (CENTER MOUNT PUMP)

LAST UPDATED  
MAR 2024 to present



Pos	SKU	Description	Qty	Remark
1	289099-02	LOCK VALVE ASSY, 12V, BI-DIRECTIONAL	3	
1	289099-04	LOCK VALVE ASSY, 24V, BI-DIRECTIONAL	3	
2	289126-04	F/S TUBE ASSY, HYD. MOTOR, CENTER PUMP	1	
3	289126-03	F/S TUBE ASSY, HYD. MOTOR, CENTER PUMP	1	
4	289136-03	F/S TUBE ASSY,CNTR MNT PMP MD,UP LINE,LH	1	
4	289136-05	F/S TUBE ASSY,CNTR MNT PMP SM,UP LINE,LH	1	
5	289136-04	F/S TUBE ASSY,CNTR MNT PMP MD,UP LINE,RH	1	
5	289136-06	F/S TUBE ASSY,CNTR MNT PMP SM,UP LINE,RH	1	
6	289123-01	HOSE ASSY,1/4 HP, SAE #6 F, SW STR	2	
7	289137-03	F/S TUBE ASSY,CNTR MNT PMP MD,DN LINE,LH	1	
7	289137-05	F/S TUBE ASSY,CNTR MNT PMP SM,DN LINE,LH	1	
8	289137-04	F/S TUBE ASSY,CNTR MNT PMP MD,DN LINE,RH	1	
8	289137-06	F/S TUBE ASSY,CNTR MNT PMP SM,DN LINE,RH	1	
9	289122-01	HOSE ASSY, 1/4 HP, SAE #6, F, SW, 90 DEGREE SHRT DRP	2	
10	289123-02	HOSE ASSY,1/4 HP, SAE #6 F, SW STR,PMP	1	
11	289124-03	HOSE ASSY, 1/4 HP, SAE#6,F,SW 90 DEGREE	1	
12	905071-01	DOUBLE-LINE PLASTIC CLAMP, .38 DIA	2	
13	905162	ELBOW BULKHEAD UNION F/S #6	4	
14	905173	CONNECTOR F/S#6&O-R#6, M-M	1	
15	905175	UNION F/S #6 M-M	2	

Pos	SKU	Description	Qty	Remark
16	906800-01	ELBOW, SW NUT, ORFS M/F, #6	5	
17	906707-01	ELBOW, NPSC,SAE #6 F/S O-R M-M	2	
18	906708-01	ELBOW, NPSC,SAE #6 O-R M-F SW	3	
19	906751-01	FITTING SAE#6M/SW F STR O-RING	3	
20	906924-01	ELBOW, STR THD, #6 ORFS/#8 SAE-ORB	2	
21	906971-01	CROSS, UNION, ORFS #6	2	
22	906968-01	CONNECTOR, STR, M-M ORFS#6/ORB#10	2	
23	900004-6	SCREW, CAP 1/4-20X1-1/2 GR8 ZC	2	
24	902013-09	WASHER1/4"ZINC- SAME030564	8	
25	902028-12	WASHER,FLAT 1.250 OD X .757 ID	8	
26	901000	NUT, NYLON 1/4-20 ZINC	4	
27	900004-8	SCREW, CAP 1/4-20X2 GR8 ZC	2	
28	297522-01	CYL DIA 3.00 BORE X 10ST. S/LB/BUSH	2	
28A	224342	FITTING, GREASE 1/4"SELF DRILL	2	
28B	905112-03	BEARING, SELF LUBE 1-3/8X1-3/8	4	
29	288518-03	VALVE,3GPM,SAE#6 M/F,PRESSURE COMP	1	
30	907378-11	SPIRAL BUNDLING WRAP, .75DIA OD X 20IN LG	2	
31	906712-02	O-RING #6, 3/8 ORFS TUBE END	32	
32	288226-01	MOTOR, HYD, 9.4 DISPL	1	

## RA/GPSLR/GPSLRT PUMP ASSEMBLY

Single Pump Assembly (Sept 2025 to present)

Single Pump Assembly (Mar 2024 to Aug 2025)

Single Pump Assembly ECU (Sept 2025 to present)

Single Pump Assembly ECU (Mar 2024 to Aug 2025)

Dual Pump Assembly (Sept 2025 to present)

Dual Pump Assembly (Mar 2024 to Aug 2025)

Dual Pump Assembly ECU (Sept 2025 to present)

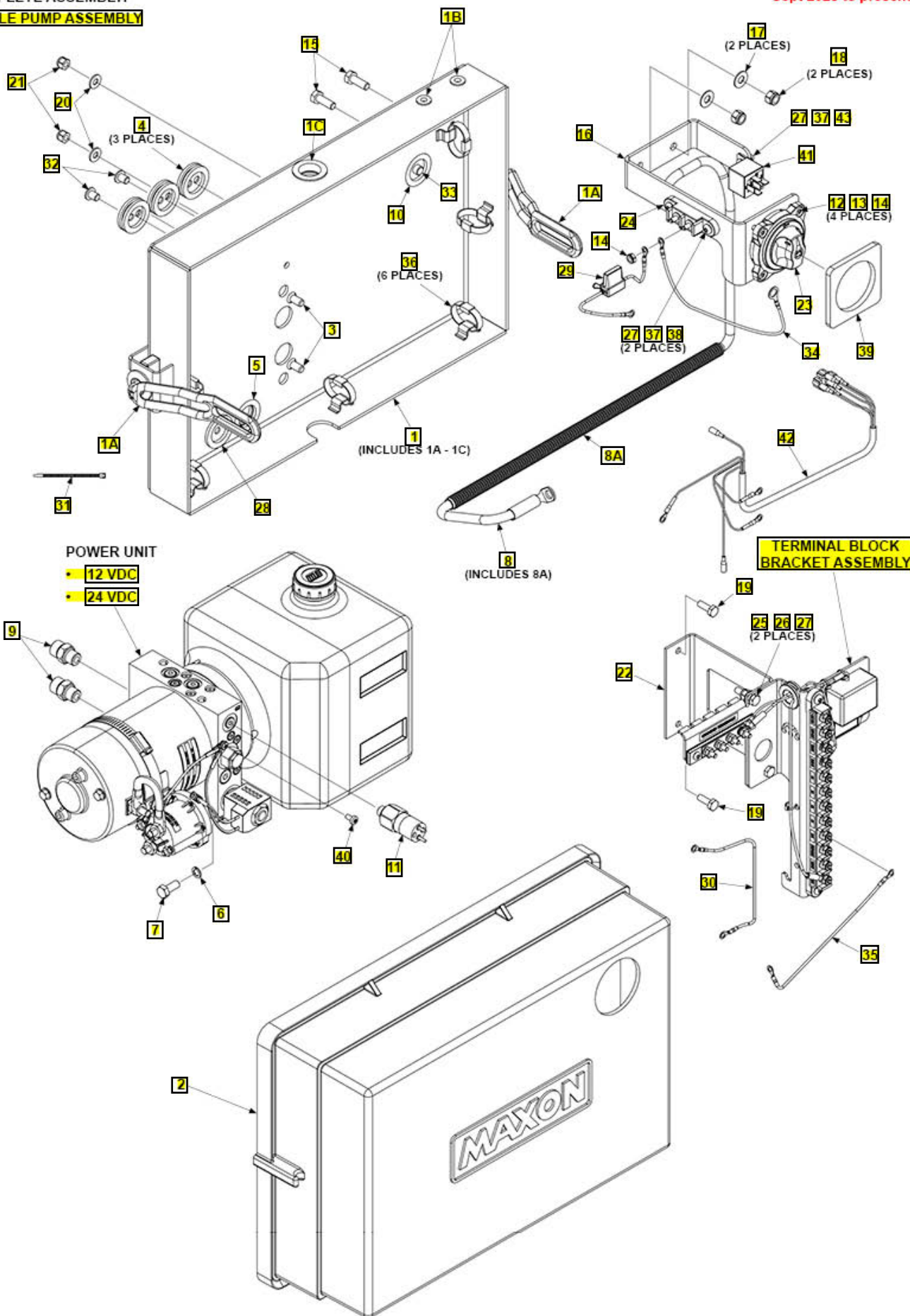
Dual Pump Assembly ECU (Mar 2024 to Aug 2025)

Pos	SKU	Description	Qty	Remark
-----	-----	-------------	-----	--------

SINGLE PUMP ASSEMBLY

COMPLETE ASSEMBLY:  
**SINGLE PUMP ASSEMBLY**

LAST UPDATED  
 Sept 2025 to present



Pos	SKU	Description	Qty	Remark
REF	289000-01G	PUMP ASSY,H/DUTY 12 V,SNGL,CC,G	1	
REF	289000-01G-24	PUMP ASSY,H/DUTY 24 V,SNGL,CC,G	1	
1	289940-01G	PLATE ASSY, PUMP MOUNT, GAL	1	
1A	908193-01	RUBBER LATCH	2	
1B	908022-03	PLUG, FLEXIBLE .393X.471	2	
1C	908022-08	PLUG,FLEXIBLE 1.063X.63	1	
2	289930-01	COVER ASSY, HORIZONTAL MOUNT	1	
3	900021-1	SCREW, SOC 5/16-18X3/4 FL	2	
4	266428-09	GROM. 1 DIAPH 2X .31 HOLES	3	
5	266428-16	GROMMET, Ø1.0 DIAPH .94DIA HOLE	1	
6	902011-3	WASHER, LOCK 5/16X5/64 G8 ZC	1	
7	900009-3	BOLT,HEX 5/16-18X3/4 GR8 ZC	1	
8	289329-02	CABLE ASSY,2GA, .31/.38RING, 90 DEG, 31IN LG	1	
8A	040103-45	SLIP LOOM 1/2" BLACK, 45"LG	1	
9	905173	CONNECTOR F/S#6&O-R#6, M-M	2	
10	266428-04	GROMMET, 1.0 DIAPH .38 HOLE	1	
11	287870-01	PRESSURE SW ASSY,7/16-20 SAE, #10R-MALE	1	
12	903444-01	WASHER, FLAT #10, SS	4	
13	900722-04	SCREW,BTN 10-24 X.63,SS	4	
14	903129-01	NUT, NYL INSRT THIN 10-24 SS	5	
15	901602-05	BOLT, HEX .313-18X.88,18-8 SS	2	
16	287871-01	BRACKET, SWITCH AND RELAY MOUNT	1	

Pos	SKU	Description	Qty	Remark
17	903409-02	WASHER,FEND .34 X.75OD,SS	2	
18	903106-10	NUT, NYL INSRT STOP.313 -18 SS	2	
19	900004-2	SCREW, CAP 1/4-20X3/4 GR8 ZC	2	
20	902013-09	WASHER1/4"ZINC- SAME030564	2	
21	901000	NUT, NYLON 1/4-20 ZINC	2	
22	211118-01	CHANNEL, TERM BLOCK BRKT MOUNT	1	
23	284562-01	MINI DISCONNECT SWITCH	1	
24	907279-01	JUNCTION BLOCK, TWO STUD	1	
25	901603-06	BOLT, HEX .250-20X1, 18-8 SS	2	
26	903137-01	NUT, NYL INSRT STOP .25-20 SS	2	
27	903412-01	WASHER,FLAT .25,SS	5	
28	266428-03	GROMMET, 1.0 DIA DIAPH .31 DIA HOLE	1	
29	211158-01	FUSE AND HOLDER ASSY, 10 AMP	1	
30	211179-01	WIRE ASSY, RING #10, 16 GA BLK, 10.5IN LG	1	
31	208153	TIE, PLASTIC 4" (18 LB)	6	
32	908022-02	PLUG, FLEXIBLE .315X.471	2	
33	908022-03	PLUG, FLEXIBLE .393X.471	1	
34	211159-01	WIRE ASSY, RING, #10/.38, BLACK	1	
35	211179-02	WIRE ASSY, RING #10, 16 GA WH, 8IN LG	1	
36	905322-01	TIE,PLASTIC 8" (120LB) BLACK	6	
37	903132-01	NUT, NYL INSRT, THN .25-20, SS	3	
38	900719-05	SCREW,BUTTON.25-20 X.75 SS	2	

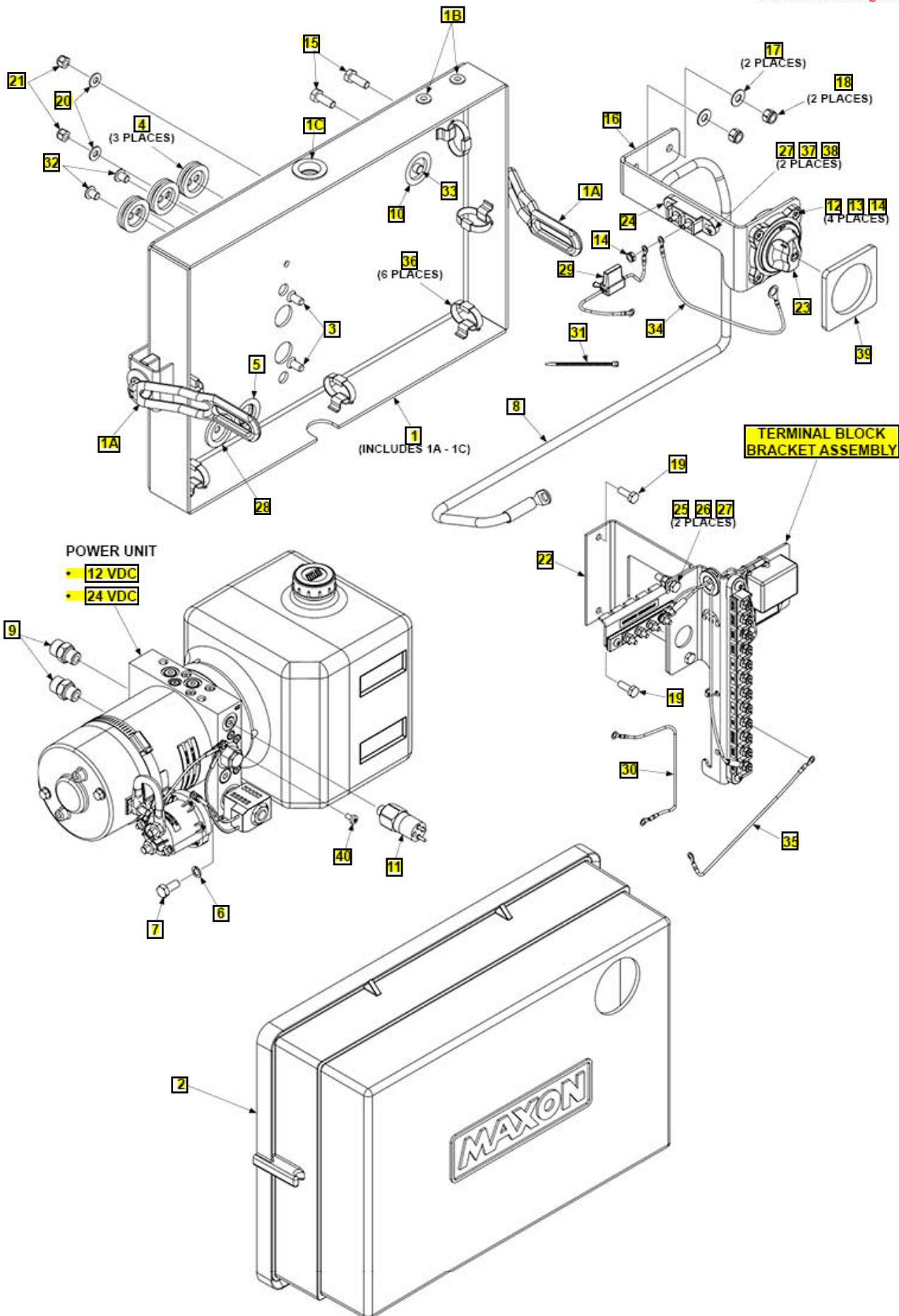
---

Pos	SKU	Description	Qty	Remark
39	289096-01	GASKET, RUBBER, SELECTOR SWITCH	1	
40	900007-3	SCREW, PH PAN HD,ZC 10-24X.38	1	
41	906578-01	RELAY 12VDC 5 PIN	1	
42	287935-01	CABLE ASSY, RELAY, STOW SENSOR, SLIDER	1	
43	900719-04	SCREW,BUTTON.25-20 X.63 SS	1	

---

SINGLE PUMP ASSEMBLY

LAST UPDATED  
MAR 2024 to Aug 2025



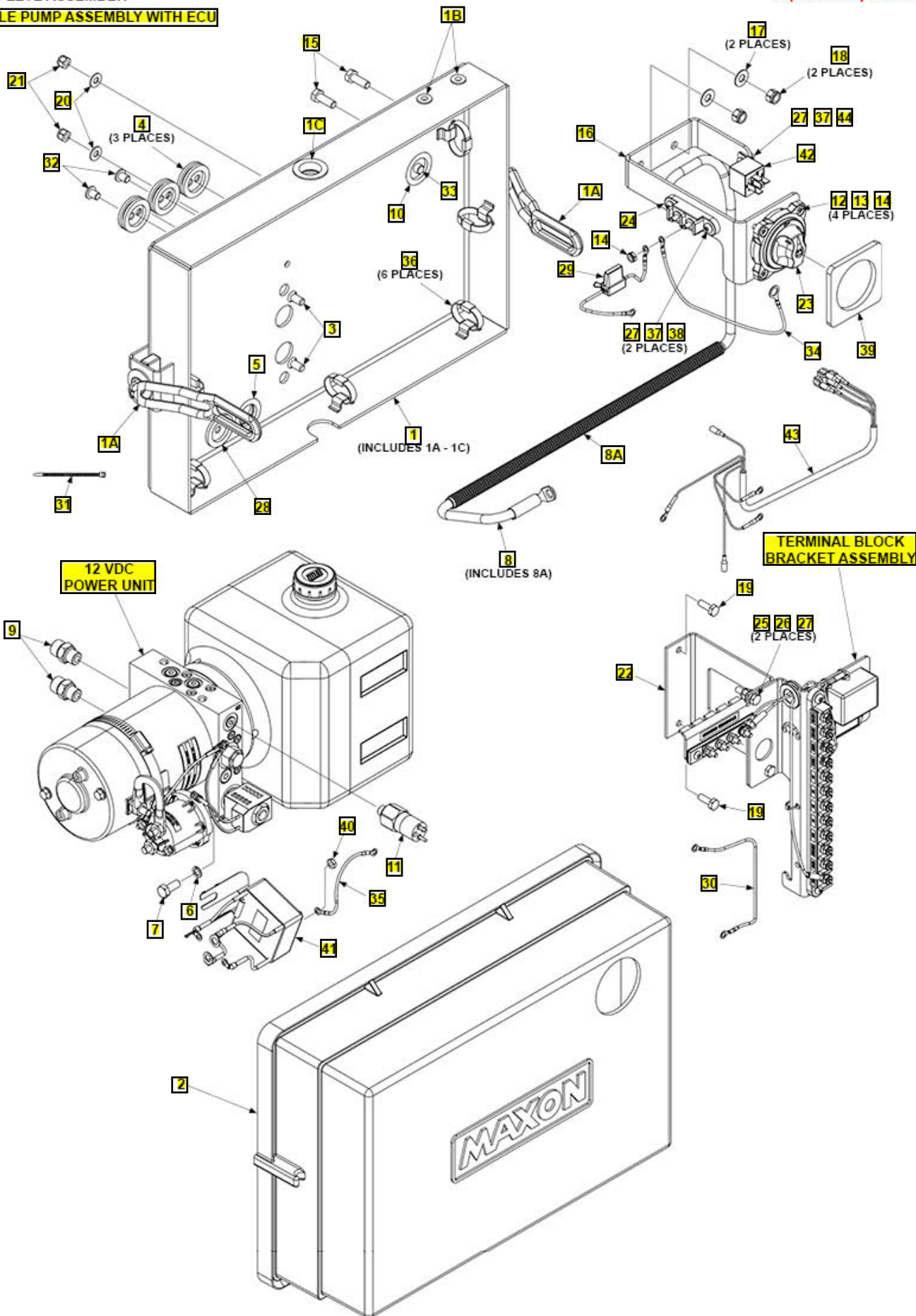
Pos	SKU	Description	Qty	Remark
1	289940-01G	PLATE ASSY, PUMP MOUNT, GAL	1	
1A	908193-01	RUBBER LATCH	2	
1B	908022-03	PLUG, FLEXIBLE .393X.471	2	
1C	908022-08	PLUG, FLEXIBLE 1.063X.63	1	
2	289930-01	COVER ASSY, HORIZONTAL MOUNT	1	
3	900021-1	SCREW, SOC 5/16-18X3/4 FL	2	
4	266428-09	GROM. 1 DIAPH 2X .31 HOLES	3	
5	266428-16	GROMMET, Ø1.0 DIAPH .94DIA HOLE	1	
6	902011-3	WASHER, LOCK 5/16X5/64 G8 ZC	1	
7	900009-3	BOLT, HEX 5/16-18X3/4 GR8 ZC	1	
8	289329-02	CABLE ASSY, 2GA, .31/.38RING, 90 DEG, 31IN LG	1	
9	905173	CONNECTOR F/S#6&O-R#6, M-M	2	
10	266428-04	GROMMET, 1.0 DIAPH .38 HOLE	1	
11	287870-01	PRESSURE SW ASSY, 7/16-20 SAE, #10R-MALE	1	
12	903444-01	WASHER, FLAT #10, SS	4	
13	900722-04	SCREW, BTN 10-24 X.63, SS	4	
14	903129-01	NUT, NYL INSRT THIN 10-24 SS	5	
15	901602-05	BOLT, HEX .313-18X.88, 18-8 SS	2	
16	289095-03	BRACKET, SWITCH/RELAY MOUNT	1	
17	903409-02	WASHER, FEND .34 X.75OD, SS	2	
18	903106-10	NUT, NYL INSRT STOP.313 -18 SS	2	
19	900004-2	SCREW, CAP 1/4-20X3/4 GR8 ZC	2	

Pos	SKU	Description	Qty	Remark
20	902013-09	WASHER1/4"ZINC-SAME030564	2	
21	901000	NUT, NYLON 1/4-20 ZINC	2	
22	211118-01	CHANNEL, TERM BLOCK BRKT MOUNT	1	
23	284562-01	MINI DISCONNECT SWITCH	1	
24	907279-01	JUNCTION BLOCK, TWO STUD	1	
25	901603-06	BOLT, HEX .250-20X1, 18-8 SS	2	
26	903137-01	NUT, NYL INSRT STOP .25-20 SS	2	
27	903412-01	WASHER,FLAT .25,SS	4	
28	266428-03	GROMMET, 1.0 DIA DIAPH .31 DIA HOLE	1	
29	211158-01	FUSE AND HOLDER ASSY, 10 AMP	1	
30	211179-01	WIRE ASSY, RING #10, 16 GA BLK, 10.5IN LG	1	
31	208153	TIE, PLASTIC 4" (18 LB)	6	
32	908022-02	PLUG, FLEXIBLE .315X.471	2	
33	908022-03	PLUG, FLEXIBLE .393X.471	1	
34	211159-01	WIRE ASSY, RING, #10/.38, BLACK	1	
35	211179-02	WIRE ASSY, RING #10, 16 GA WH, 8IN LG	1	
36	905322-01	TIE,PLASTIC 8" (120LB) BLACK	6	
37	903132-01	NUT, NYL INSRT, THN .25-20, SS	2	
38	900719-05	SCREW,BUTTON.25-20 X.75 SS	2	
39	289096-01	GASKET, RUBBER, SELECTOR SWITCH	1	
40	900007-3	SCREW, PH PAN HD,ZC 10-24X.38	1	

SINGLE PUMP ASSEMBLY WITH ECU

LAST UPDATED  
Sept 2025 to present

COMPLETE ASSEMBLY:  
**SINGLE PUMP ASSEMBLY WITH ECU**



Pos	SKU	Description	Qty	Remark
REF	289000-01G-101	PUMP ASSY,H/DTY 12V PD,SNGL,CC,MAXECU,G	1	
1	289940-01G	PLATE ASSY, PUMP MOUNT, GAL	1	
1A	908193-01	RUBBER LATCH	2	
1B	908022-03	PLUG, FLEXIBLE .393X.471	2	
1C	908022-08	PLUG,FLEXIBLE 1.063X.63	1	
2	289930-01	COVER ASSY, HORIZONTAL MOUNT	1	
3	900021-1	SCREW, SOC 5/16-18X3/4 FL	2	
4	266428-09	GROM. 1 DIAPH 2X .31 HOLES	3	
5	266428-16	GROMMET, Ø1.0 DIAPH .94DIA HOLE	1	
6	902011-3	WASHER, LOCK 5/16X5/64 G8 ZC	1	
7	900009-3	BOLT,HEX 5/16-18X3/4 GR8 ZC	1	
8	289329-02	CABLE ASSY,2GA, .31/.38RING, 90 DEG, 31IN LG	1	
8A	040103-45	SLIP LOOM 1/2" BLACK, 45"LG	1	
9	905173	CONNECTOR F/S#6&O-R#6, M-M	2	
10	266428-04	GROMMET, 1.0 DIAPH .38 HOLE	1	
11	287870-01	PRESSURE SW ASSY,7/16-20 SAE, #10R-MALE	1	
12	903444-01	WASHER, FLAT #10, SS	4	
13	900722-04	SCREW,BTN 10-24 X.63,SS	4	
14	903129-01	NUT, NYL INSRT THIN 10-24 SS	5	
15	901602-05	BOLT, HEX .313-18X.88,18-8 SS	2	
16	287871-01	BRACKET, SWITCH AND RELAY MOUNT	1	
17	903409-02	WASHER,FEND .34 X.75OD,SS	2	

Pos	SKU	Description	Qty	Remark
18	903106-10	NUT, NYL INSRT STOP.313 -18 SS	2	
19	900004-2	SCREW, CAP 1/4-20X3/4 GR8 ZC	2	
20	902013-09	WASHER1/4"ZINC- SAME030564	2	
21	901000	NUT, NYLON 1/4-20 ZINC	2	
22	211118-01	CHANNEL, TERM BLOCK BRKT MOUNT	1	
23	284562-01	MINI DISCONNECT SWITCH	1	
24	907279-01	JUNCTION BLOCK, TWO STUD	1	
25	901603-06	BOLT, HEX .250-20X1, 18-8 SS	2	
26	903137-01	NUT, NYL INSRT STOP .25-20 SS	2	
27	903412-01	WASHER,FLAT .25,SS	5	
28	266428-03	GROMMET, 1.0 DIA DIAPH .31 DIA HOLE	1	
29	211158-01	FUSE AND HOLDER ASSY, 10 AMP	1	
30	211179-01	WIRE ASSY, RING #10, 16 GA BLK, 10.5IN LG	1	
31	208153	TIE, PLASTIC 4" (18 LB)	6	
32	908022-02	PLUG, FLEXIBLE .315X.471	2	
33	908022-03	PLUG, FLEXIBLE .393X.471	1	
34	211159-01	WIRE ASSY, RING, #10/.38, BLACK	1	
35	211179-02	WIRE ASSY, RING #10, 16 GA WH, 8IN LG	1	
36	905322-01	TIE,PLASTIC 8" (120LB) BLACK	6	
37	903132-01	NUT, NYL INSRT, THN .25-20, SS	3	
38	900719-05	SCREW,BUTTON.25-20 X.75 SS	2	
39	289096-01	GASKET, RUBBER, SELECTOR SWITCH	1	

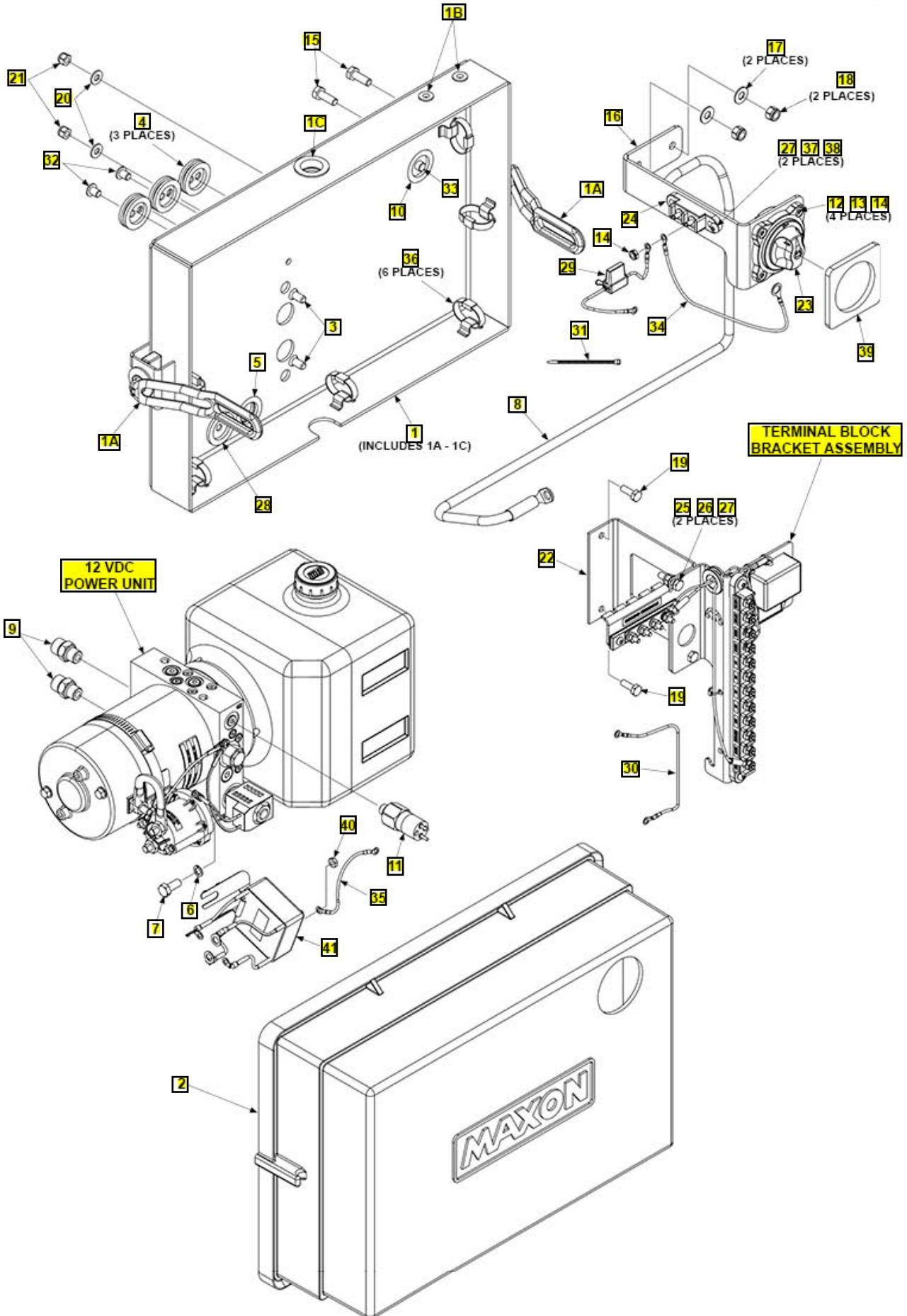
---

Pos	SKU	Description	Qty	Remark
40	030344	NUT, HEX HD #10-32, 6/6 NYLON	1	
41	297135-01	MAX ECU MODULE	1	
42	906578-01	RELAY 12VDC 5 PIN	1	
43	287935-01	CABLE ASSY, RELAY, STOW SENSOR, SLIDER	1	
44	900719-04	SCREW,BUTTON.25-20 X.63 SS	1	

---

SINGLE PUMP ASSEMBLY WITH ECU

LAST UPDATED  
MAR 2024 to Aug 2025



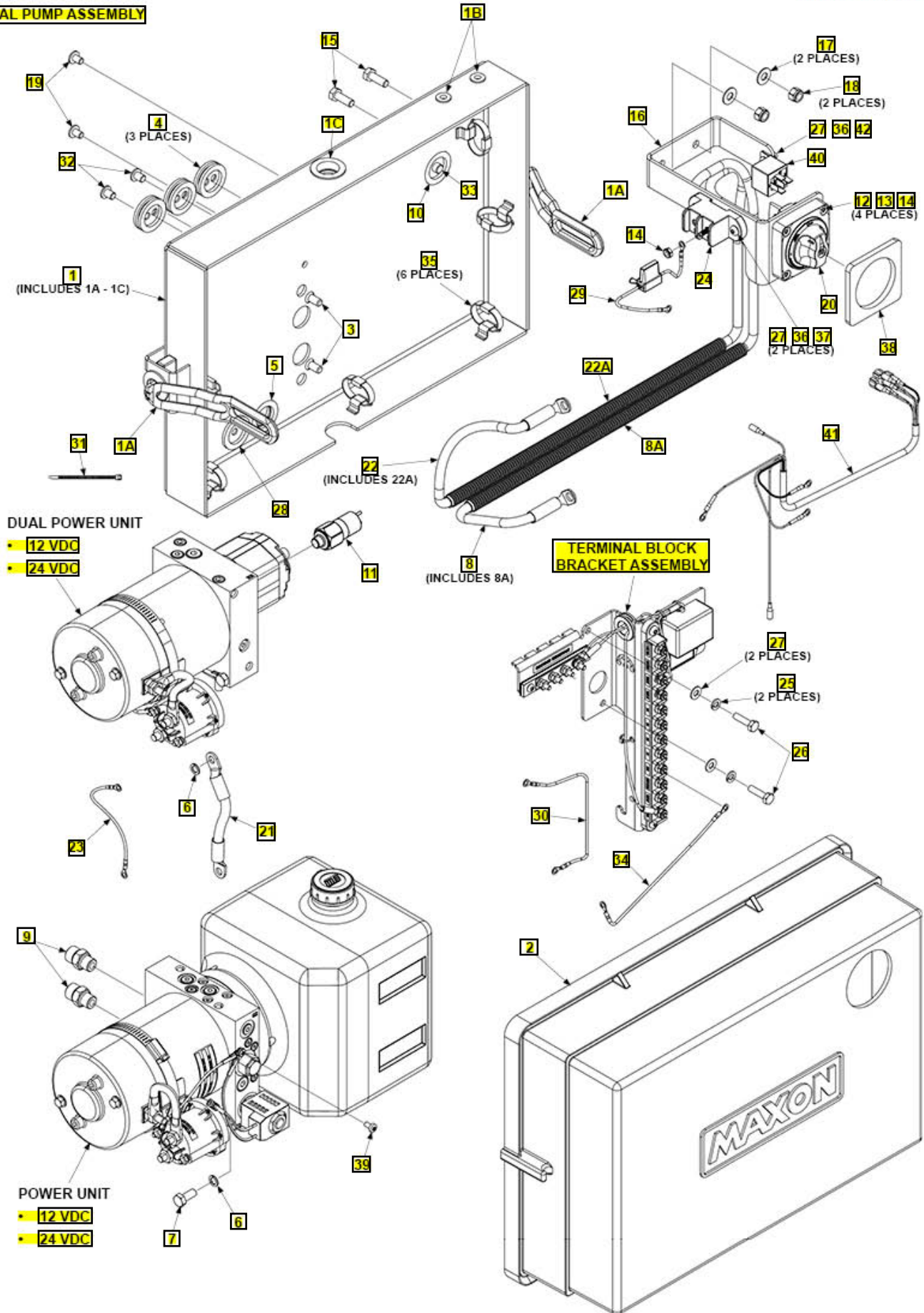
Pos	SKU	Description	Qty	Remark
1	289940-01G	PLATE ASSY, PUMP MOUNT, GAL	1	
1A	908193-01	RUBBER LATCH	2	
1B	908022-03	PLUG, FLEXIBLE .393X.471	2	
1C	908022-08	PLUG, FLEXIBLE 1.063X.63	1	
2	289930-01	COVER ASSY, HORIZONTAL MOUNT	1	
3	900021-1	SCREW, SOC 5/16-18X3/4 FL	2	
4	266428-09	GROM. 1 DIAPH 2X .31 HOLES	3	
5	266428-16	GROMMET, Ø1.0 DIAPH .94DIA HOLE	1	
6	902011-3	WASHER, LOCK 5/16X5/64 G8 ZC	1	
7	900009-3	BOLT, HEX 5/16-18X3/4 GR8 ZC	1	
8	289329-02	CABLE ASSY, 2GA, .31/.38RING, 90 DEG, 31IN LG	1	
9	905173	CONNECTOR F/S#6&O-R#6, M-M	2	
10	266428-04	GROMMET, 1.0 DIAPH .38 HOLE	1	
11	287870-01	PRESSURE SW ASSY, 7/16-20 SAE, #10R-MALE	1	
12	903444-01	WASHER, FLAT #10, SS	4	
13	900722-04	SCREW, BTN 10-24 X.63, SS	4	
14	903129-01	NUT, NYL INSRT THIN 10-24 SS	5	
15	901602-05	BOLT, HEX .313-18X.88, 18-8 SS	2	
16	289095-03	BRACKET, SWITCH/RELAY MOUNT	1	
17	903409-02	WASHER, FEND .34 X.75OD, SS	2	
18	903106-10	NUT, NYL INSRT STOP.313 -18 SS	2	
19	900004-2	SCREW, CAP 1/4-20X3/4 GR8 ZC	2	

Pos	SKU	Description	Qty	Remark
20	902013-09	WASHER1/4"ZINC-SAME030564	2	
21	901000	NUT, NYLON 1/4-20 ZINC	2	
22	211118-01	CHANNEL, TERM BLOCK BRKT MOUNT	1	
23	284562-01	MINI DISCONNECT SWITCH	1	
24	907279-01	JUNCTION BLOCK, TWO STUD	1	
25	901603-06	BOLT, HEX .250-20X1, 18-8 SS	2	
26	903137-01	NUT, NYL INSRT STOP .25-20 SS	2	
27	903412-01	WASHER,FLAT .25,SS	4	
28	266428-03	GROMMET, 1.0 DIA DIAPH .31 DIA HOLE	1	
29	211158-01	FUSE AND HOLDER ASSY, 10 AMP	1	
30	211179-01	WIRE ASSY, RING #10, 16 GA BLK, 10.5IN LG	1	
31	208153	TIE, PLASTIC 4" (18 LB)	6	
32	908022-02	PLUG, FLEXIBLE .315X.471	2	
33	908022-03	PLUG, FLEXIBLE .393X.471	1	
34	211159-01	WIRE ASSY, RING, #10/.38, BLACK	1	
35	211179-02	WIRE ASSY, RING #10, 16 GA WH, 8IN LG	1	
36	905322-01	TIE,PLASTIC 8" (120LB) BLACK	6	
37	903132-01	NUT, NYL INSRT, THN .25-20, SS	2	
38	900719-05	SCREW,BUTTON.25-20 X.75 SS	2	
39	289096-01	GASKET, RUBBER, SELECTOR SWITCH	1	
40	030344	NUT, HEX HD #10-32, 6/6 NYLON	1	
41	297135-01	MAX ECU MODULE	1	

DUAL PUMP ASSEMBLY

LAST UPDATED  
Sept 2025 to present

COMPLETE ASSEMBLY:  
**DUAL PUMP ASSEMBLY**



Pos	SKU	Description	Qty	Remark
REF	289000-11G	PUMP ASSY,H/DUTY 12 V,DUAL,CC,G	1	
REF	289000-11G-24	PUMP ASSY,H/DUTY 12 V,DUAL,CC,G	1	
1	289940-01G	PLATE ASSY, PUMP MOUNT, GAL	1	
1A	908193-01	RUBBER LATCH	2	
1B	908022-03	PLUG, FLEXIBLE .393X.471	2	
1C	908022-08	PLUG,FLEXIBLE 1.063X.63	1	
2	289930-01	COVER ASSY, HORIZONTAL MOUNT	1	
3	900021-1	SCREW, SOC 5/16-18X3/4 FL	2	
4	266428-09	GROM. 1 DIAPH 2X .31 HOLES	3	
5	266428-16	GROMMET, Ø1.0 DIAPH .94DIA HOLE	1	
6	902011-3	WASHER, LOCK 5/16X5/64 G8 ZC	2	
7	900009-3	BOLT,HEX 5/16-18X3/4 GR8 ZC	1	
8	289329-02	CABLE ASSY,2GA, .31/.38RING, 90 DEG, 31IN LG	1	
8A	040103-45	SLIP LOOM 1/2" BLACK, 45"LG	1	
9	905173	CONNECTOR F/S#6&O-R#6, M-M	2	
10	266428-04	GROMMET, 1.0 DIAPH .38 HOLE	1	
11	287870-01	PRESSURE SW ASSY,7/16-20 SAE, #10R-MALE	1	
12	903444-01	WASHER, FLAT #10, SS	4	
13	900722-06	SCREW, BUTN, 10-24 X .88, SS	4	
14	903129-01	NUT, NYL INSRT THIN 10-24 SS	5	
15	901602-05	BOLT, HEX .313-18X.88,18-8 SS	2	
16	287871-01	BRACKET, SWITCH AND RELAY MOUNT	1	

Pos	SKU	Description	Qty	Remark
17	903409-02	WASHER,FEND .34 X.75OD,SS	2	
18	903106-10	NUT, NYL INSRT STOP.313 -18 SS	2	
19	908022-07	PLUG, FLEXIBLE .275X.511	2	
20	288102-01	MINI SELECTOR SWITCH, 1-OFF-2	2	
21	269191-07	CABLE ASSY, GROUND, 2GA X 6-1/8 LG	2	
22	289329-01	CABLE ASSY,2GA, .31/.38RING, 90 DEG, 27IN LG	1	
22A	040103-47	SLIP LOOM 1/2" BLACK, 47" LG	1	
23	211179-03	WIRE ASSY, RING #10, 16 GA WH, 4.5IN LG	1	
24	211151-01	SWITCH MODULE ASSY, 12 VDC	1	
24	211151-24	SWITCH MODULE ASSY, 24 VDC	1	
25	902011-2	WASHER, LOCK .25 X .062 THK	2	
26	901603-06	BOLT, HEX .250-20X1, 18-8 SS	2	
27	903412-01	WASHER,FLAT .25,SS	5	
28	266428-03	GROMMET, 1.0 DIA DIAPH .31 DIA HOLE	1	
29	211158-01	FUSE AND HOLDER ASSY, 10 AMP	1	
30	211179-01	WIRE ASSY, RING #10, 16 GA BLK, 10.5IN LG	1	
31	208153	TIE, PLASTIC 4" (18 LB)	6	
32	908022-02	PLUG, FLEXIBLE .315X.471	2	
33	908022-03	PLUG, FLEXIBLE .393X.471	1	
34	211179-02	WIRE ASSY, RING #10, 16 GA WH, 8IN LG	1	
35	905322-01	TIE,PLASTIC 8" (120LB) BLACK	6	
36	903132-01	NUT, NYL INSRT, THN .25-20, SS	3	

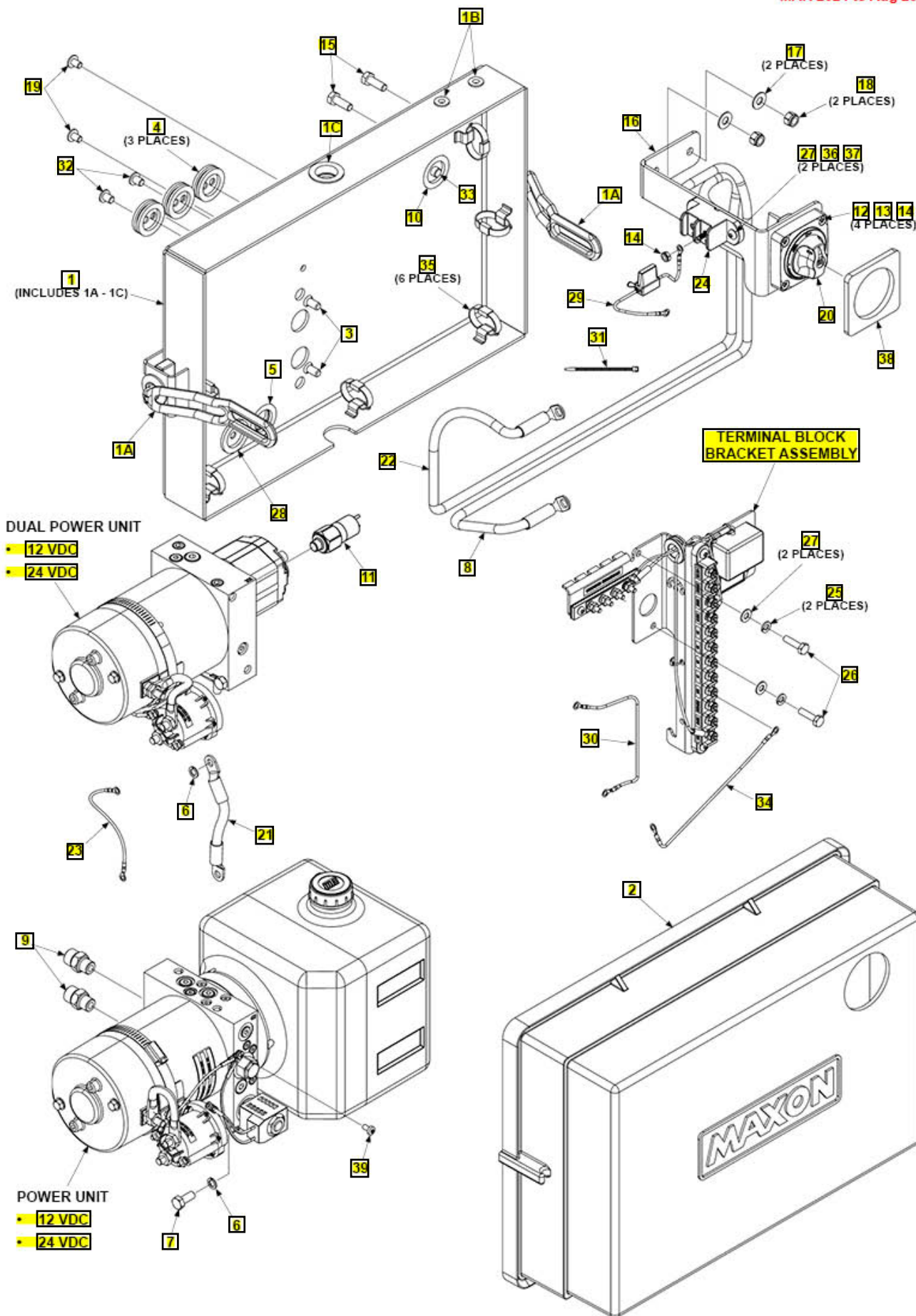
---

Pos	SKU	Description	Qty	Remark
37	900719-05	SCREW,BUTTON.25-20 X.75 SS	2	
38	289096-01	GASKET, RUBBER, SELECTOR SWITCH	1	
39	900007-3	SCREW, PH PAN HD,ZC 10-24X.38	1	
40	906578-01	RELAY 12VDC 5 PIN	1	
40	907125-01	RELAY, 24 VDC, 5 PIN	1	
41	287935-01	CABLE ASSY, RELAY, STOW SENSOR, SLIDER	1	
42	900719-04	SCREW,BUTTON.25-20 X.63 SS	1	

---

DUAL PUMP ASSEMBLY

LAST UPDATED  
MAR 2024 to Aug 2025



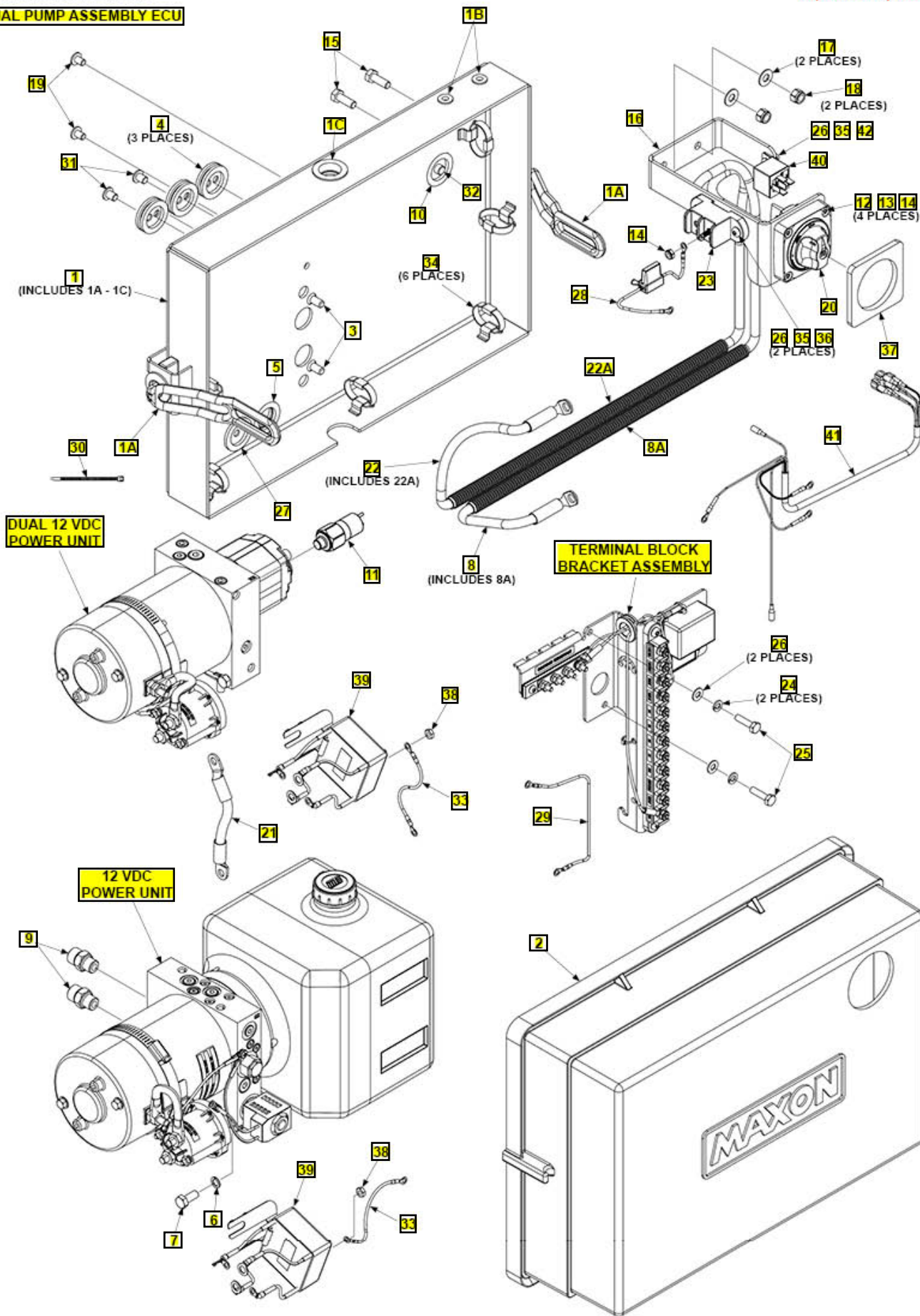
Pos	SKU	Description	Qty	Remark
1	289940-01G	PLATE ASSY, PUMP MOUNT, GAL	1	
1A	908193-01	RUBBER LATCH	2	
1B	908022-03	PLUG, FLEXIBLE .393X.471	2	
1C	908022-08	PLUG, FLEXIBLE 1.063X.63	1	
2	289930-01	COVER ASSY, HORIZONTAL MOUNT	1	
3	900021-1	SCREW, SOC 5/16-18X3/4 FL	2	
4	266428-09	GROM. 1 DIAPH 2X .31 HOLES	3	
5	266428-16	GROMMET, Ø1.0 DIAPH .94DIA HOLE	1	
6	902011-3	WASHER, LOCK 5/16X5/64 G8 ZC	2	
7	900009-3	BOLT, HEX 5/16-18X3/4 GR8 ZC	1	
8	289329-02	CABLE ASSY, 2GA, .31/.38RING, 90 DEG, 31IN LG	1	
9	905173	CONNECTOR F/S#6&O-R#6, M-M	2	
10	266428-04	GROMMET, 1.0 DIAPH .38 HOLE	1	
11	287870-01	PRESSURE SW ASSY, 7/16-20 SAE, #10R-MALE	1	
12	903444-01	WASHER, FLAT #10, SS	4	
13	900722-06	SCREW, BUTN, 10-24 X .88, SS	4	
14	903129-01	NUT, NYL INSRT THIN 10-24 SS	5	
15	901602-05	BOLT, HEX .313-18X.88, 18-8 SS	2	
16	289095-03	BRACKET, SWITCH/RELAY MOUNT	1	
17	903409-02	WASHER, FEND .34 X.75OD, SS	2	
18	903106-10	NUT, NYL INSRT STOP.313 -18 SS	2	
19	908022-07	PLUG, FLEXIBLE .275X.511	2	

Pos	SKU	Description	Qty	Remark
20	288102-01	MINI SELECTOR SWITCH, 1-OFF-2	2	
21	269191-07	CABLE ASSY, GROUND, 2GA X 6-1/8 LG	2	
22	289329-01	CABLE ASSY,2GA, .31/.38RING, 90 DEG, 27IN LG	1	
23	211179-03	WIRE ASSY, RING #10, 16 GA WH, 4.5IN LG	1	
24	211151-01	SWITCH MODULE ASSY, 12 VDC	1	
24	211151-24	SWITCH MODULE ASSY, 24 VDC	1	
25	902011-2	WASHER, LOCK .25 X .062 THK	2	
26	901603-06	BOLT, HEX .250-20X1, 18-8 SS	2	
27	903412-01	WASHER,FLAT .25,SS	4	
28	266428-03	GROMMET, 1.0 DIA DIAPH .31 DIA HOLE	1	
29	211158-01	FUSE AND HOLDER ASSY, 10 AMP	1	
30	211179-01	WIRE ASSY, RING #10, 16 GA BLK, 10.5IN LG	1	
31	208153	TIE, PLASTIC 4" (18 LB)	6	
32	908022-02	PLUG, FLEXIBLE .315X.471	2	
33	908022-03	PLUG, FLEXIBLE .393X.471	1	
34	211179-02	WIRE ASSY, RING #10, 16 GA WH, 8IN LG	1	
35	905322-01	TIE,PLASTIC 8" (120LB) BLACK	6	
36	903132-01	NUT, NYL INSRT, THN .25-20, SS	2	
37	900719-05	SCREW,BUTTON.25-20 X.75 SS	2	
38	289096-01	GASKET, RUBBER, SELECTOR SWITCH	1	
39	900007-3	SCREW, PH PAN HD,ZC 10-24X.38	1	

### DUAL PUMP ASSEMBLY ECU

LAST UPDATED  
Sept 2025 to present

COMPLETE ASSEMBLY:  
**DUAL PUMP ASSEMBLY ECU**



Pos	SKU	Description	Qty	Remark
REF	289000-11G-101	PUMP ASSY, H/DTY 12V PD, DUAL, CC, MAXECU, G	1	
1	289940-01G	PLATE ASSY, PUMP MOUNT, GAL	1	
1A	908193-01	RUBBER LATCH	2	
1B	908022-03	PLUG, FLEXIBLE .393X.471	2	
1C	908022-08	PLUG, FLEXIBLE 1.063X.63	1	
2	289930-01	COVER ASSY, HORIZONTAL MOUNT	1	
3	900021-1	SCREW, SOC 5/16-18X3/4 FL	2	
4	266428-09	GROM. 1 DIAPH 2X .31 HOLES	3	
5	266428-16	GROMMET, Ø1.0 DIAPH .94DIA HOLE	1	
6	902011-3	WASHER, LOCK 5/16X5/64 G8 ZC	1	
7	900009-3	BOLT, HEX 5/16-18X3/4 GR8 ZC	1	
8	289329-02	CABLE ASSY, 2GA, .31/.38RING, 90 DEG, 31IN LG	1	
8A	040103-45	SLIP LOOM 1/2" BLACK, 45" LG	1	
9	905173	CONNECTOR F/S#6&O-R#6, M-M	2	
10	266428-04	GROMMET, 1.0 DIAPH .38 HOLE	1	
11	287870-01	PRESSURE SW ASSY, 7/16-20 SAE, #10R-MALE	1	
12	903444-01	WASHER, FLAT #10, SS	4	
13	900722-06	SCREW, BUTN, 10-24 X .88, SS	4	
14	903129-01	NUT, NYL INSRT THIN 10-24 SS	5	
15	901602-05	BOLT, HEX .313-18X.88, 18-8 SS	2	
16	287871-01	BRACKET, SWITCH AND RELAY MOUNT	1	
17	903409-02	WASHER, FEND .34 X.75OD, SS	2	

Pos	SKU	Description	Qty	Remark
18	903106-10	NUT, NYL INSRT STOP.313 -18 SS	2	
19	908022-07	PLUG, FLEXIBLE .275X.511	2	
20	288102-01	MINI SELECTOR SWITCH, 1-OFF-2	1	
21	269191-07	CABLE ASSY, GROUND, 2GA X 6-1/8 LG	1	
22	289329-01	CABLE ASSY,2GA, .31/.38RING, 90 DEG, 27IN LG	1	
22A	040103-47	SLIP LOOM 1/2" BLACK, 47" LG	1	
23	211151-01	SWITCH MODULE ASSY, 12 VDC	1	
24	902011-2	WASHER, LOCK .25 X .062 THK	2	
25	901603-04	BOLT, HEX .25-20X.75,18-8 SS	2	
26	903412-01	WASHER,FLAT .25,SS	5	
27	266428-03	GROMMET, 1.0 DIA DIAPH .31 DIA HOLE	1	
28	211158-01	FUSE AND HOLDER ASSY, 10 AMP	1	
29	211179-01	WIRE ASSY, RING #10, 16 GA BLK, 10.5IN LG	1	
30	208153	TIE, PLASTIC 4" (18 LB)	6	
31	908022-02	PLUG, FLEXIBLE .315X.471	2	
32	908022-03	PLUG, FLEXIBLE .393X.471	1	
33	211179-02	WIRE ASSY, RING #10, 16 GA WH, 8IN LG	2	
34	905322-01	TIE,PLASTIC 8" (120LB) BLACK	6	
35	903132-01	NUT, NYL INSRT, THN .25-20, SS	3	
36	900719-05	SCREW,BUTTON.25-20 X.75 SS	2	
37	289096-01	GASKET, RUBBER, SELECTOR SWITCH	1	
38	030344	NUT, HEX HD #10-32, 6/6 NYLON	2	

---

<b>Pos</b>	<b>SKU</b>	<b>Description</b>	<b>Qty</b>	<b>Remark</b>
39	297135-01	MAX ECU MODULE	2	
40	906578-01	RELAY 12VDC 5 PIN	1	
41	287935-01	CABLE ASSY, RELAY, STOW SENSOR, SLIDER	1	
42	900719-04	SCREW,BUTTON.25-20 X.63 SS	1	

---



Pos	SKU	Description	Qty	Remark
1	289940-01G	PLATE ASSY, PUMP MOUNT, GAL	1	
1A	908193-01	RUBBER LATCH	2	
1B	908022-03	PLUG, FLEXIBLE .393X.471	2	
1C	908022-08	PLUG, FLEXIBLE 1.063X.63	1	
2	289930-01	COVER ASSY, HORIZONTAL MOUNT	1	
3	900021-1	SCREW, SOC 5/16-18X3/4 FL	2	
4	266428-09	GROM. 1 DIAPH 2X .31 HOLES	3	
5	266428-16	GROMMET, Ø1.0 DIAPH .94DIA HOLE	1	
6	902011-3	WASHER, LOCK 5/16X5/64 G8 ZC	1	
7	900009-3	BOLT, HEX 5/16-18X3/4 GR8 ZC	1	
8	289329-02	CABLE ASSY, 2GA, .31/.38RING, 90 DEG, 31IN LG	1	
9	905173	CONNECTOR F/S#6&O-R#6, M-M	2	
10	266428-04	GROMMET, 1.0 DIAPH .38 HOLE	1	
11	287870-01	PRESSURE SW ASSY, 7/16-20 SAE, #10R-MALE	1	
12	903444-01	WASHER, FLAT #10, SS	4	
13	900722-06	SCREW, BUTN, 10-24 X .88, SS	4	
14	903129-01	NUT, NYL INSRT THIN 10-24 SS	5	
15	901602-05	BOLT, HEX .313-18X.88, 18-8 SS	2	
16	289095-03	BRACKET, SWITCH/RELAY MOUNT	1	
17	903409-02	WASHER, FEND .34 X.75OD, SS	2	
18	903106-10	NUT, NYL INSRT STOP.313 -18 SS	2	
19	908022-07	PLUG, FLEXIBLE .275X.511	2	

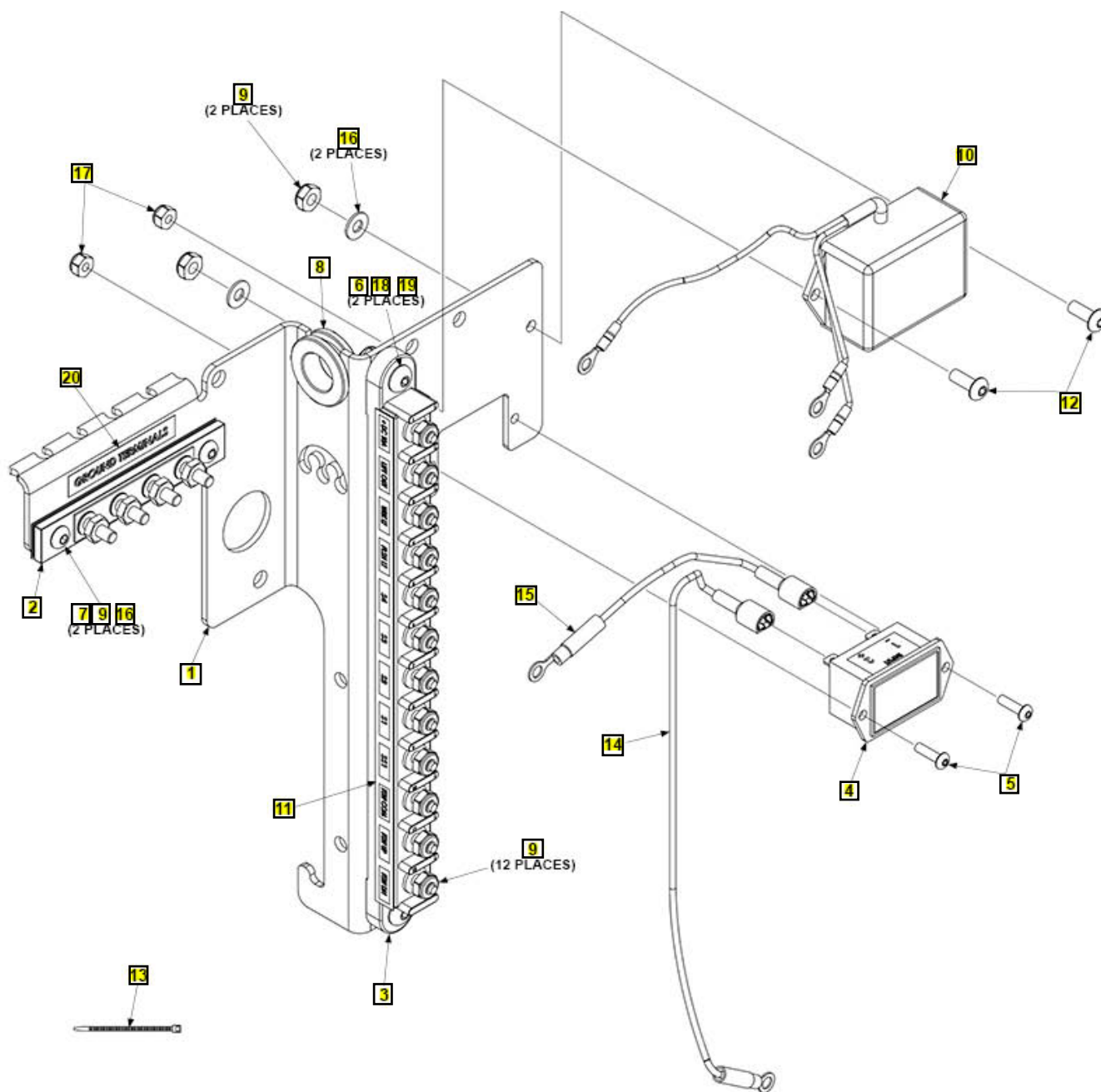
Pos	SKU	Description	Qty	Remark
20	288102-01	MINI SELECTOR SWITCH, 1-OFF-2	1	
21	269191-07	CABLE ASSY, GROUND, 2GA X 6-1/8 LG	1	
22	289329-01	CABLE ASSY, 2GA, .31/.38RING, 90 DEG, 27IN LG	1	
23	211151-01	SWITCH MODULE ASSY, 12 VDC	1	
24	902011-2	WASHER, LOCK .25 X .062 THK	2	
25	901603-04	BOLT, HEX .25-20X.75, 18-8 SS	2	
26	903412-01	WASHER, FLAT .25, SS	4	
27	266428-03	GROMMET, 1.0 DIA DIAPH .31 DIA HOLE	1	
28	211158-01	FUSE AND HOLDER ASSY, 10 AMP	1	
29	211179-01	WIRE ASSY, RING #10, 16 GA BLK, 10.5IN LG	1	
30	208153	TIE, PLASTIC 4" (18 LB)	6	
31	908022-02	PLUG, FLEXIBLE .315X.471	2	
32	908022-03	PLUG, FLEXIBLE .393X.471	1	
33	211179-02	WIRE ASSY, RING #10, 16 GA WH, 8IN LG	2	
34	905322-01	TIE, PLASTIC 8" (120LB) BLACK	6	
35	903132-01	NUT, NYL INSRT, THN .25-20, SS	2	
36	900719-05	SCREW, BUTTON.25-20 X.75 SS	2	
37	289096-01	GASKET, RUBBER, SELECTOR SWITCH	1	
38	030344	NUT, HEX HD #10-32, 6/6 NYLON	2	
39	297135-01	MAX ECU MODULE	2	

TERMINAL BLOCK BRACKET ASSEMBLY

COMPLETE ASSEMBLY:

**TERMINAL BLOCK BRACKET ASSEMBLY**

LAST UPDATED  
MAR 2024 to present



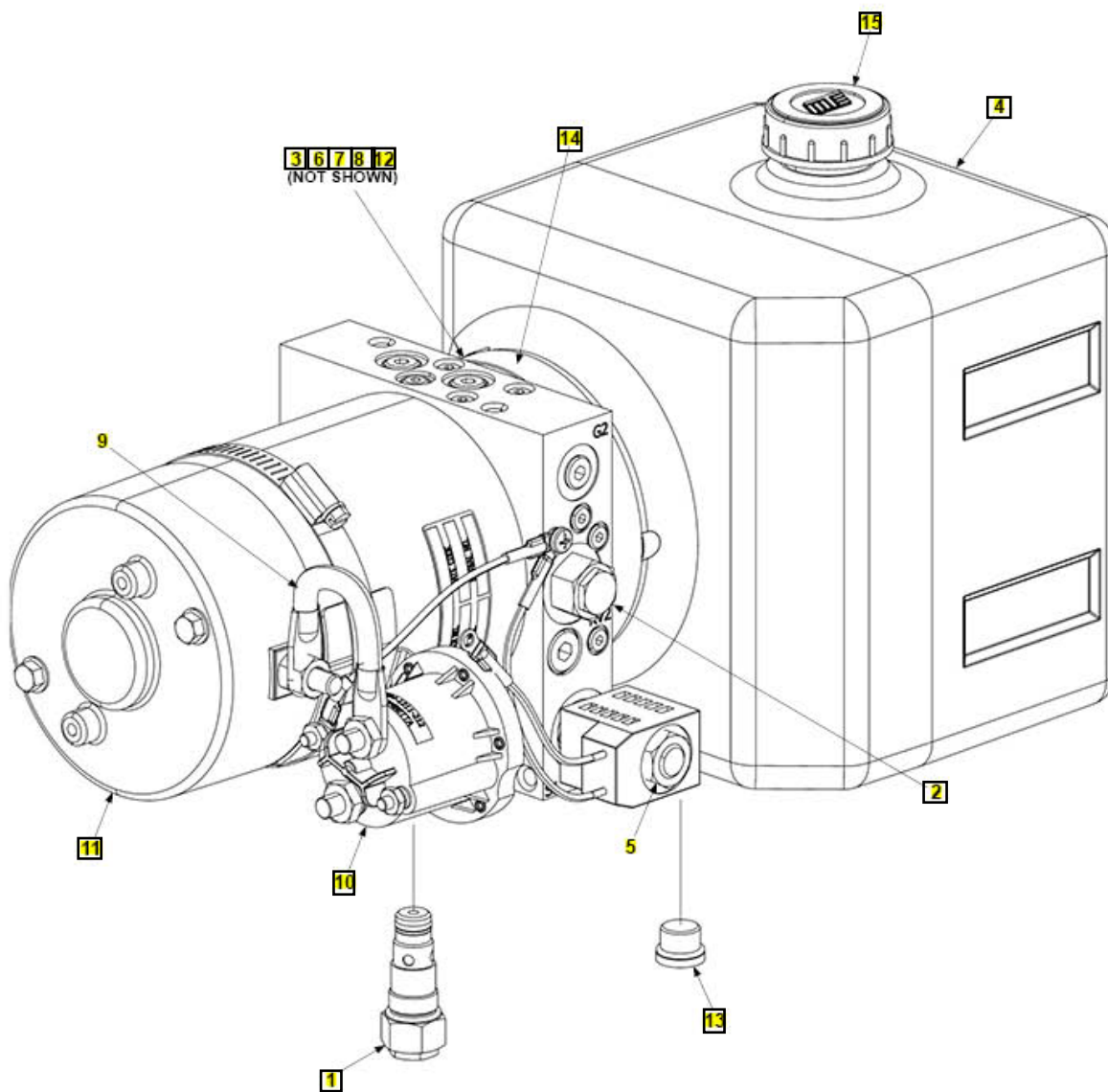
Pos	SKU	Description	Qty	Remark
REF	211175-01	BRACKET ASSY, TERM BLOCK	1	
1	211117-01	BRACKET, TERMINAL BLOCK	1	
2	907526-04	TERMINAL BLOCK, W/BUSBAR, 4 GANG	1	
3	906616-05	JUNCTION BLOCK, 12 STUD	1	
4	297269-01	DIGITAL CYCLE COUNTER	1	
5	900713-06	SCREW, BTN 6-32 X.5,SS	2	
6	900719-05	SCREW,BUTTON.25-20 X.75 SS	2	
7	900722-04	SCREW,BTN 10-24 X.63,SS	2	
8	908144-02	RUBBER GROMMET.63ID, DIA.88 X .125THK PANEL	1	
9	903129-01	NUT, NYL INSRT THIN 10-24 SS	16	
10	211174-01	FLASHER, SOLID STATE ELECTRONIC	1	
11	211173-01	DECAL, TERMINAL BLOCK, 12 POS	1	
12	900722-03	SCREW,BTN 10-24 X.5,SS	2	
13	208153	TIE, PLASTIC 4" (18 LB)	3	
14	297274-02	WIRE ASSY, POS LOCK, RING TERM,RED	1	
15	297274-01	WIRE ASSY, POS LOCK, RING TERM,BLK	1	
16	903444-01	WASHER, FLAT #10, SS	4	
17	903112-01	NUT, NYL INSRT STP 6-32 ZC	2	
18	903412-01	WASHER,FLAT .25,SS	2	
19	903132-01	NUT, NYL INSRT, THN .25-20, SS	2	
20	211187-01	DECAL, GROUND TERMINALS	1	

12 VDC POWER UNIT

COMPLETE ASSEMBLY:

**12 VDC POWER UNIT**

LAST UPDATED  
MAR 2024 to present



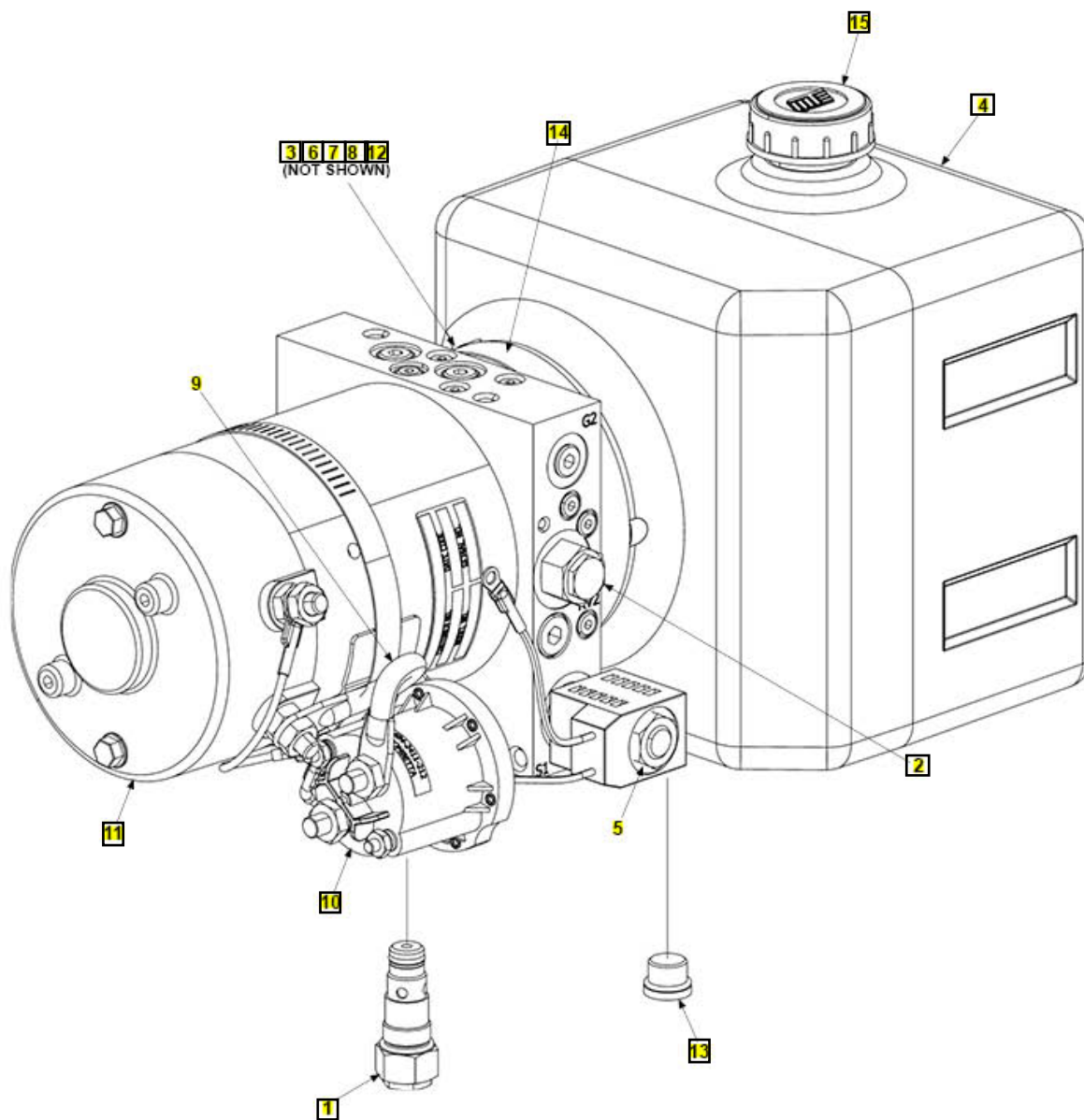
Pos	SKU	Description	Qty	Remark
REF	210362-01	12 VDC POWER UNIT,P/D	1	
1	906738-02	CARTRIDGE RELIEF VALVE, HP	1	
2	290285	RELIEF VALVE	1	
3	290286	INLET AND RETURN PLUMBING ASSEMBLY	1	
4	290287	RESERVOIR ASSEMBLY,1.27 GALLON	1	
6	290288	FILTER ASSEMBLY,INLET,MAX VOLUME	2	
7	296017-01	COUPLING, OLDDHAM	1	
8	290289	PUMP PRESSURE LOADED,2.7 CC/REV. INTERNAL	1	
10	284080-01	SWITCH, SOLENOID ASSY	1	
11	290175-01	12 VOLT D.C. MOTOR W/OUT TERM SW	1	
12	290292	O-RING,2-240,BUNA-N,70 DURO	1	
13	290293	PLUG,9/16 SAE SOCKET HEAD	1	
14	290295	CLAMP,BEND,HI-TORQUE	1	
15	290296	BREATHER,G3/4,DIPSTICK	1	

24 VDC POWER UNIT

COMPLETE ASSEMBLY:

**24 VDC POWER UNIT**

LAST UPDATED  
MAR 2024 to present



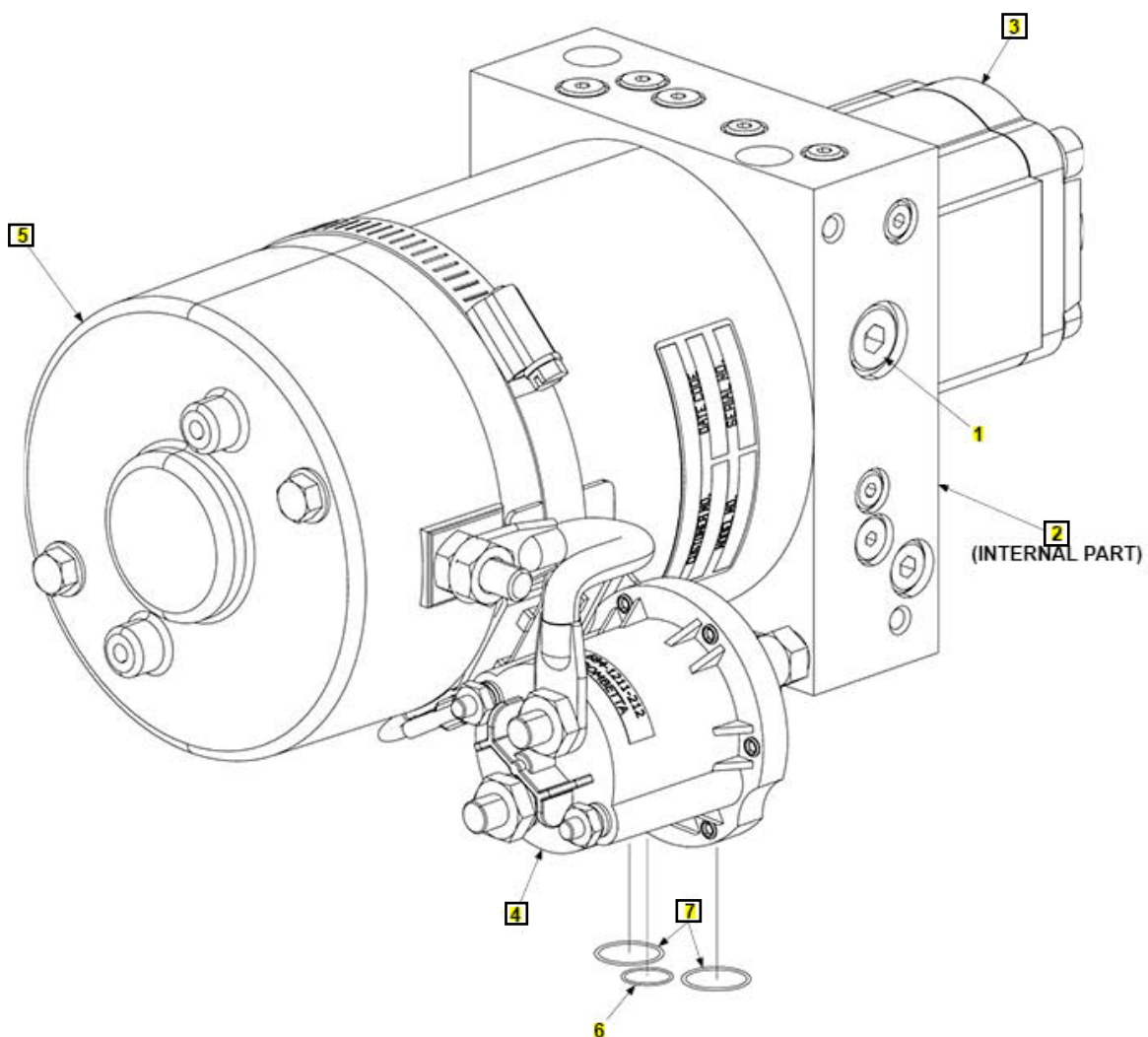
Pos	SKU	Description	Qty	Remark
REF	210362-24	24 VDC POWER UNIT,P/D	1	
1	906738-02	CARTRIDGE RELIEF VALVE, HP	1	
2	290285	RELIEF VALVE	1	
3	290286	INLET AND RETURN PLUMBING ASSEMBLY	1	
4	290287	RESERVOIR ASSEMBLY,1.27 GALLON	1	
6	290288	FILTER ASSEMBLY,INLET,MAX VOLUME	2	
7	296017-01	COUPLING, OLDHAM	1	
8	290289	PUMP PRESSURE LOADED,2.7 CC/REV. INTERNAL	1	
10	284080-02	SWITCH, SOLENOID ASSY, 24VDC	1	
11	290176-01	(SAME AS 281573-01) 24VDC MOTOR W/OUT TERM SW	1	
12	290292	O-RING,2-240,BUNA-N,70 DURO	1	
13	290293	PLUG,9/16 SAE SOCKET HEAD	1	
14	290295	CLAMP,BEND,HI-TORQUE	1	
15	290296	BREATHER,G3/4,DIPSTICK	1	

DUAL 12 VDC POWER UNIT

COMPLETE ASSEMBLY:

**DUAL 12 VDC POWER UNIT**

LAST UPDATED  
MAR 2024 to present



---

Pos	SKU	Description	Qty	Remark
REF	210363-01	12 VDC POWER UNIT,AUXILLIARY PUMP	1	
2	296017-01	COUPLING, OLDHAM	1	
3	296016-01	PUMP, 203.1, PRESSURE LOADED	1	
4	284080-01	SWITCH, SOLENOID ASSY	1	
5	290175-01	12 VOLT D.C. MOTOR W/OUT TERM SW	1	
7	269586-01	O-RING, MANIFOLD	2	

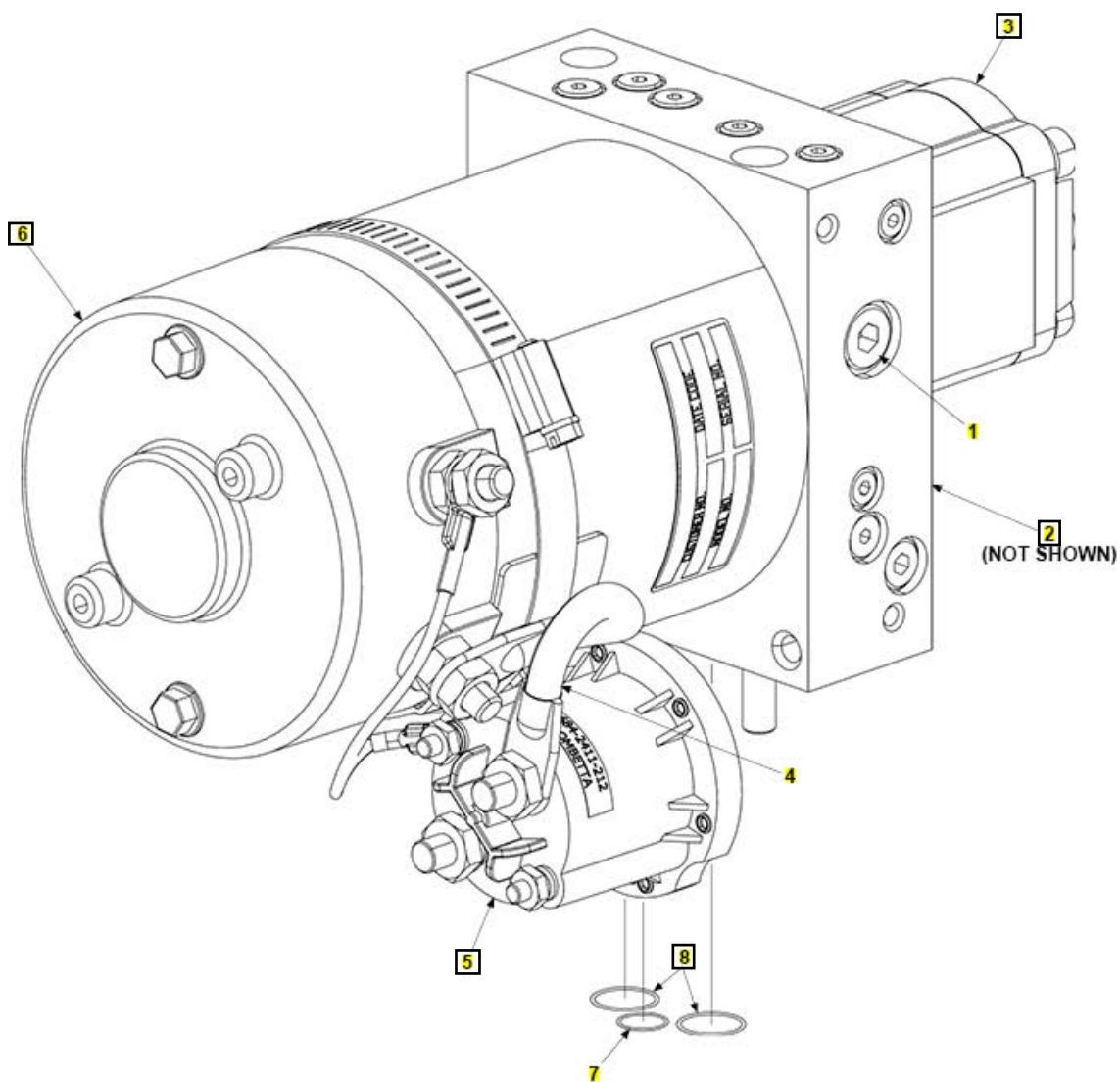
---

### DUAL 24 VDC POWER UNIT

COMPLETE ASSEMBLY:

**DUAL 24 VDC POWER UNIT**

LAST UPDATED  
MAR 2024 to present



---

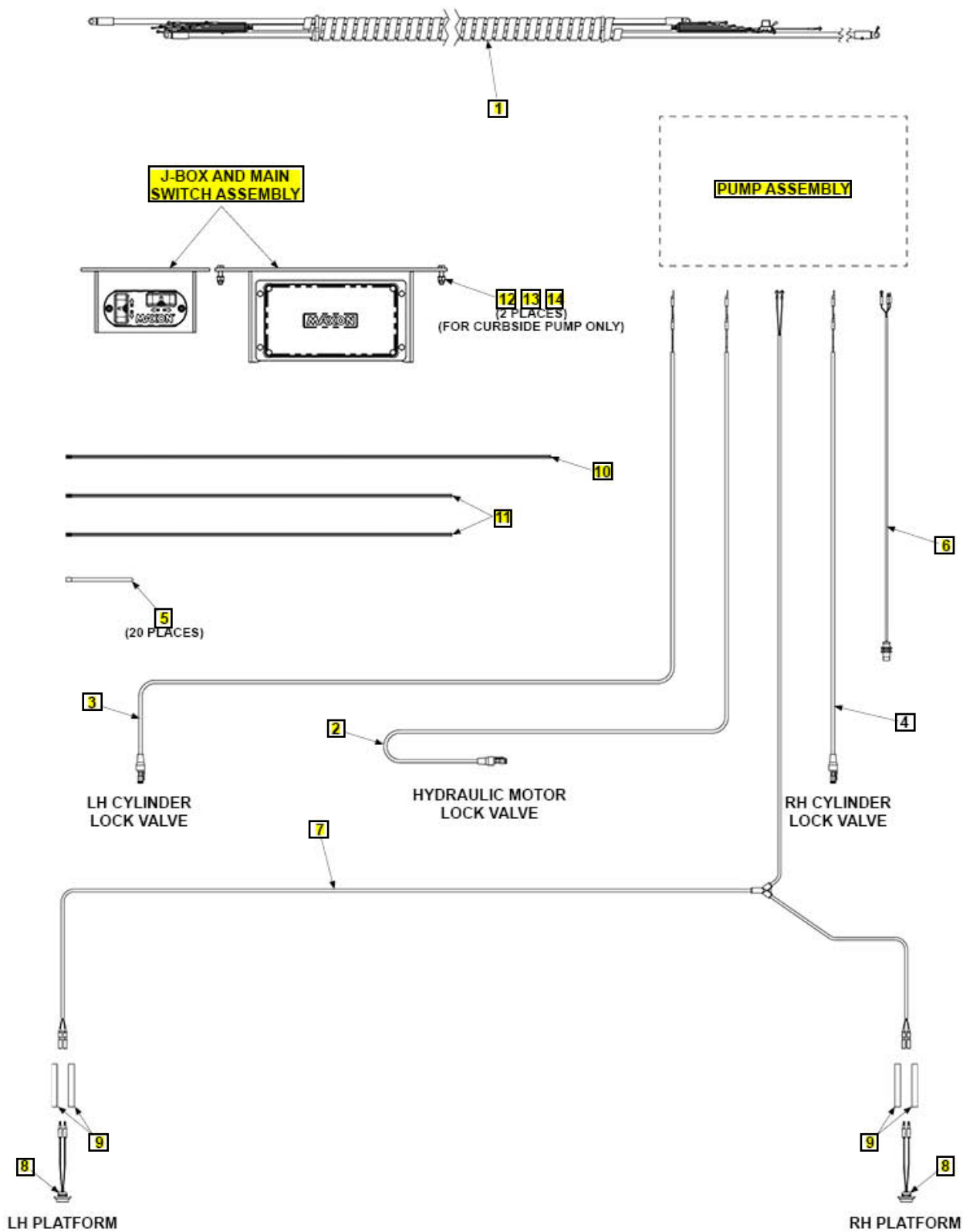
Pos	SKU	Description	Qty	Remark
REF	210363-24	24 VDC POWER UNIT, AUXILLIARY PUMP	1	
2	296017-01	COUPLING, OLDHAM	1	
3	296016-01	PUMP, 203.1, PRESSURE LOADED	1	
5	284080-02	SWITCH, SOLENOID ASSY, 24VDC	1	
6	290176-01	(SAME AS 281573-01) 24VDC MOTOR W/OUT TERM SW	1	
8	269586-01	O-RING, MANIFOLD	2	

---

ELECTRICAL SYSTEMS

COMPLETE ASSEMBLY:  
**ELECTRICAL SYSTEMS**  
 (PUMP ASSEMBLY NOT INCLUDED)

LAST UPDATED  
 MAR 2024 to present



Pos	SKU	Description	Qty	Remark
REF	287890-03	ELECTRICAL ASSY, 12 V, G/D, 22FT, RA	1	For Curbside Pump
REF	287890-03-24	ELECTRICAL ASSY, 24 V, G/D, 22FT, RA	1	For Curbside Pump
REF	287890-04	ELECTRICAL ASSY, 12 V, P/D, 22FT, RA	1	For Curbside Pump
REF	287890-04-24	ELECTRICAL ASSY, 24 V, P/D, 22FT, RA	1	For Curbside Pump
REF	287890-05	ELECTRICAL ASSY, 12 V, G/D, 22', CNTR PMP RA	1	For Center Pump
REF	287890-05-24	ELECTRICAL ASSY, 24 V, G/D, 22', CNTR PMP RA	1	For Center Pump
REF	287890-06	ELECTRICAL ASSY, 12 V, P/D, 22', CNTR PMP RA	1	For Center Pump
REF	287890-06-24	ELECTRICAL ASSY, 24 V, P/D, 22', CNTR PMP RA	1	For Center Pump
1	211141-02	CABLE ASSY, FLEXIBLE LOOP, 20FT LG	1	For Center Pump
1	211141-03	CABLE ASSY, FLEXIBLE LOOP, 22FT LG	1	For Curbside Pump
2	282625-21	CABLE ASSY, LOCK VALVE, 16/2X36	1	For Center Pump
2	282625-26	CABLE ASSY, LOCK VALVE, 16/2X65	1	For Curbside Pump
3	282625-27	CABLE ASSY, LOCK VALVE, 16/2X120	1	For Curbside Pump
3	282625-29	CABLE ASSY, LOCK VALVE, 16/2X90	1	For Center Pump
4	282625-07	CABLE ASSY, LOCK VALVE, 16/2X56	1	For Curbside Pump
4	282625-18	CABLE ASSY, LOCK VALVE, 16/2X74	1	For Center Pump
5	905322-01	TIE, PLASTIC 8" (120LB) BLACK	20	
6	287838-01	PROX SENSOR ASSY, SLIDER STOW SIGNAL, LONG	1	For Curbside Pump
6	287838-02	PROX SENSOR ASSY, SLIDER STOW SIGNAL, SHORT	1	For Center Pump

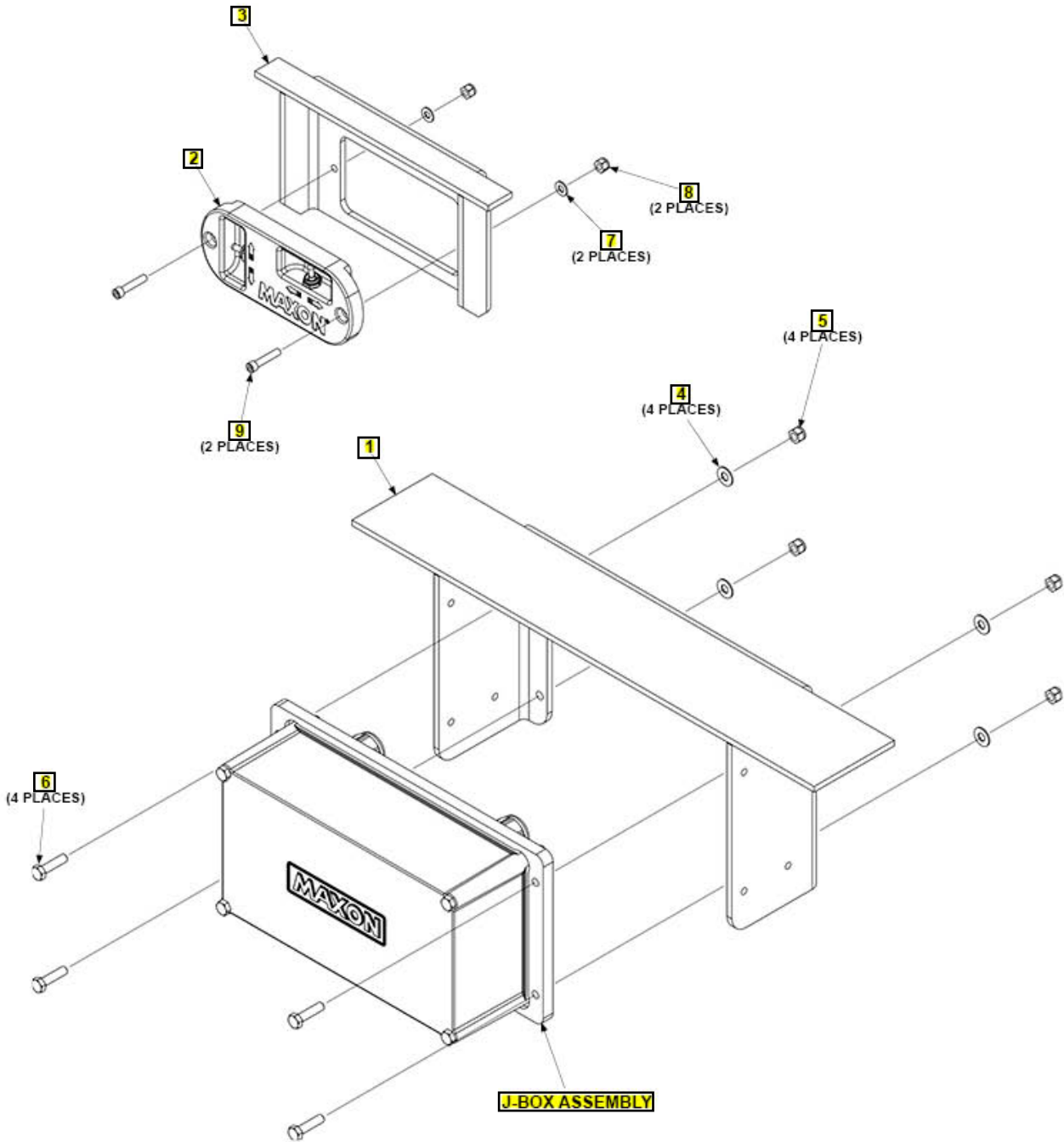
Pos	SKU	Description	Qty	Remark
7	289363-01	HARNESS, PF STOW LIGHTS	1	
8	907111-01	LIGHT, EMERGENCY WARNING, AMBER	2	
9	268041-02	TBG,HT-SHRINK,ADH LNG,4"LG	4	
10	907011-10	LOOM, SPLIT-NYLON, .25IDX78IN LG	1	
11	907011-11	LOOM, SPLIT-NYLON, .25IDX36IN LG	2	
12	901002	NUT, NYLON 3/8-16 ZINC	2	For Curbside Pump
13	902000-9	WASHER, FLAT.375X.032 THK	2	For Curbside Pump
14	900014-6	SCREW,HEX CAP.38-16X1.50,G8,ZC	2	For Curbside Pump

### J-BOX AND MAIN SWITCH ASSEMBLY

COMPLETE ASSEMBLY:

**J-BOX AND MAIN SWITCH ASSEMBLY**

LAST UPDATED  
MAR 2024 to present



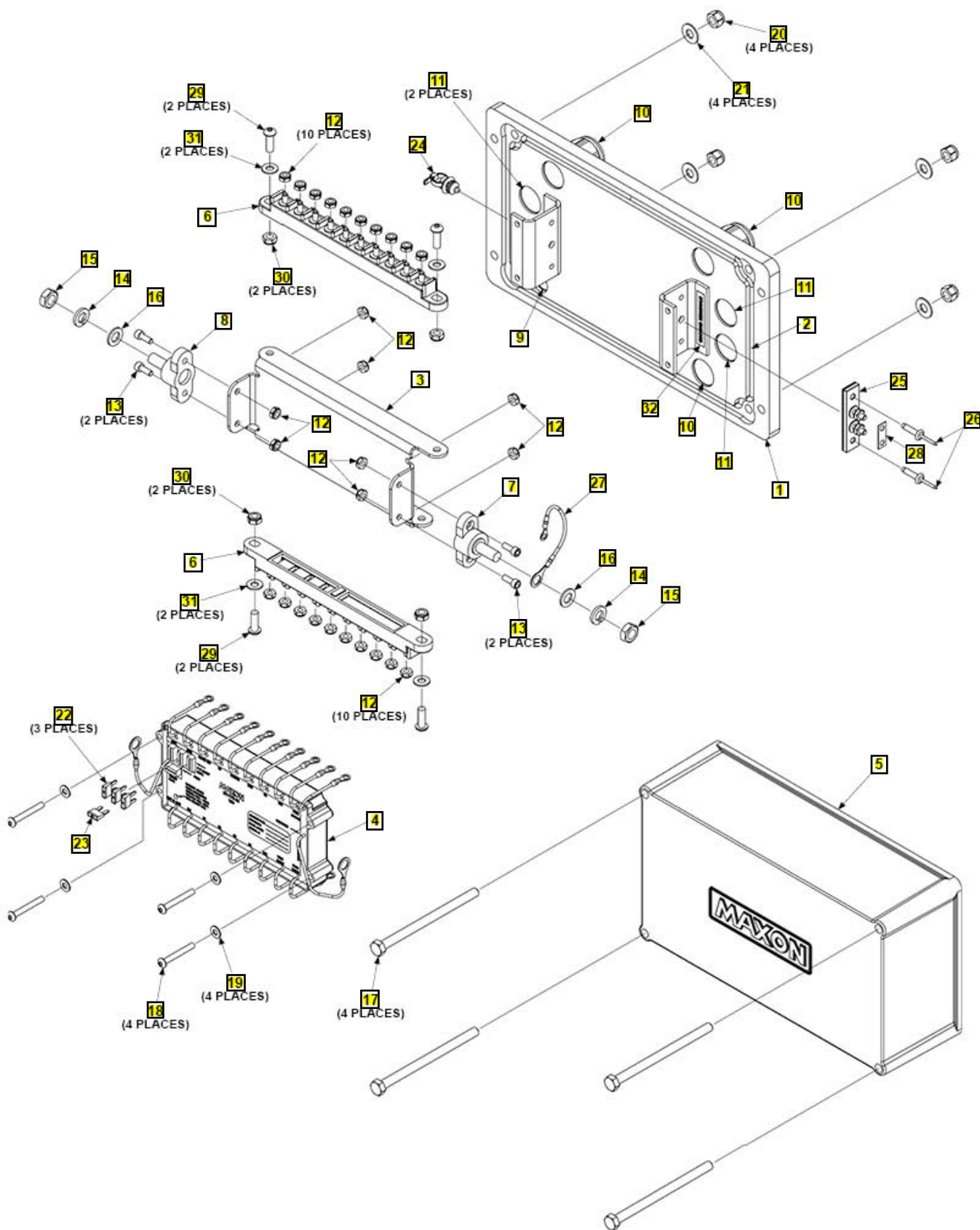
Pos	SKU	Description	Qty	Remark
REF	288660-01	J-BOX & MAIN SW ASSY, 6FT CBL, 12 V, G/DN	1	
REF	288660-01-24	J-BOX & MAIN SW ASSY, 6FT CBL, 24 V, G/DN	1	
REF	288660-02	J-BOX & MAIN SW ASSY, 6FT CBL, 12 V, P/DN	1	
REF	288660-02-24	J-BOX & MAIN SW ASSY, 6FT CBL, 24 V, P/DN	1	
1	211181-01G	BRACKET, JUNCTION BOX MOUNT, GAL	1	
2	289001-02	SWITCH, MAIN CONTROL, 72IN LG	1	
3	289134-01G	BRACKET, CONTROL SWITCH MOUNT, GAL	1	
4	902000-7	WASHER, FLAT .312 .032 THK	4	
5	901001	NUT, NYLON 5/16-18 ZINC	4	
6	900009-5	SCREW, CAP 5/16-18X1-1/4 G8 ZC	4	
7	902000-2	WASHER, FLAT 1/4X1/32	2	
8	901000	NUT, NYLON 1/4-20 ZINC	2	
9	900025-5	SCREW, SOC 1/4-20X1-1/4 ALLOY	2	

J-BOX ASSEMBLY

COMPLETE ASSEMBLY:

**J-BOX ASSEMBLY**

LAST UPDATED  
MAR 2024 to present

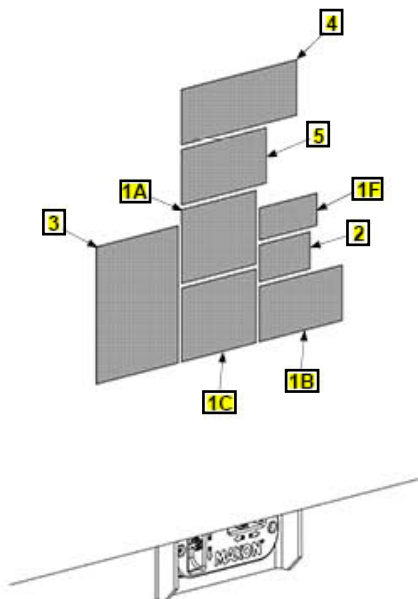


Pos	SKU	Description	Qty	Remark
REF	211160-01	J-BOX ASSY, 12 VDC, G/DN, SLIDER	1	
REF	211160-01-24	J-BOX ASSY, 24 VDC, G/DN, SLIDER	1	
REF	211160-02	J-BOX ASSY, 12 VDC, P/DN, SLIDER	1	
REF	211160-02-24	J-BOX ASSY, 24 VDC, P/DN, SLIDER	1	
1	211162-01	BACK PLATE WLDMT, J-BOX	1	
2	211156-01	O-RING, J-BOX SEAL	1	
3	211169-01	BRACKET, PCB MOUNTING	1	
4	211170-01	RELAY CONTROLLER, 12V, SLIDER	1	
4	211170-24	RELAY CONTROLLER, 24V, SLIDER	1	
5	211155-01	COVER, JUNCTION BOX	1	
6	906616-03	JUNCTION BLOCK, 10 STUD	2	
7	906881-02	BLACK 3/8 JUNCTION STUD	1	
8	906881-01	RED 3/8 JUNCTION STUD	1	
9	907520-04	CORD GRIP, PLASTIC, M20-1.5, W/OUT NUT	1	
10	211166-01	CORD GRIP ASSY, 3 HOLES, PG21	3	
11	907520-06	CORD GRIP, PLASTIC, PG21, W/OUT NUT	4	
12	903129-01	NUT, NYL INSRT THIN 10-24 SS	28	
13	900832-02	SCREW, SOCKET HEAD, 10-24X.5, SS	4	
14	902011-4	WASHER, LOCK 3/8X.094 ZC	2	
15	903107-02	NUT, HEX .375-16 UNC SS	2	
16	902028-6	WASHER,FLAT .687 OD X .388 ID	2	
17	901602-21	BOLT, HEX .313-18X4.75,18-8 SS	4	
18	900722-09	SCREW,BTN 10-24 X1.5,SS	4	
19	902000-5	WASHER, FLAT #10.032 THK	4	

Pos	SKU	Description	Qty	Remark
20	903106-10	NUT, NYL INSRT STOP.313 -18 SS	4	
21	903409-02	WASHER,FEND .34 X.75OD,SS	4	
22	907199-02	MINI BLADE FUSE 2 AMP	3	
23	907199-15	MINI BLADE FUSE 15 AMP	1	
24	907448-01	8IN CABLE TIE,PUSH TO MOUNT, 50LB, .03-.28 PNL	1	
25	907532-02	TERMINAL BLOCK SNGL ROW, 2 P, #10-32	1	
26	904002-1	RIVET, BLIND .19X.7 DOME	2	
27	211159-01	WIRE ASSY, RING, #10/.38, BLACK	1	
28	297272-02	JUMPER, 260 BRASS .015IN, .63	1	
29	900719-05	SCREW,BUTTON.25-20 X.75 SS	4	
30	903132-01	NUT, NYL INSRT, THN .25-20, SS	4	
31	903412-01	WASHER,FLAT .25,SS	4	
32	211187-01	DECAL, GROUND TERMINALS	1	

DECALS

LAST UPDATED  
MAR 2024 to present



1

**CAUTION**  
Always stand clear of platform area.

**WARNING**  
Read this information carefully  
Improper operation of this liftgate can result in serious personal injury. If you do not have a copy of the operating instructions, please contact your dealer for a copy. If there are signs of improper maintenance, damage to vital parts, or slippery platform surface, do not use the liftgate until these problems have been corrected. If you are using a pallet jack, be sure it can be maneuvered safely. Do not operate a forklift on the platform. Do not allow any part of your or your helper's body to be placed under, within, or around any portion of the moving liftgate, its mechanism, or a structure that would trap them between the platform and the ground or truck when the liftgate is extended. If a helper is riding the platform with you, make sure you are both doing so safely and that you are not in danger of coming in contact with any moving or potentially moving obstacle. USE GOOD COMMON SENSE. If load appears to be unsafe, DO NOT USE or lower it.

**SAFETY INSTRUCTIONS**  
Read all decals and operation manual before operating liftgate.  
1. Do not use liftgate unless you have been properly instructed and have read, and are familiar with, the operating instructions.  
2. Be certain vehicle is properly and securely braked before using the liftgate.  
3. Always inspect this liftgate for maintenance or damage before using it. Do not use liftgate if it shows any sign of damage or improper maintenance.  
4. Do not overlift.  
5. Make certain the area in which the platform will open and close is clear before opening or closing the platform.  
6. Make certain platform area, including the area in which loads may fall from platform, is clear before and at all times during operation of liftgate.  
7. This liftgate is intended for loading and unloading of cargo only. Do not use the liftgate for anything but its intended use.

**WARNING**  
Liftgate hazards can result in crushing or falling. Keep hands and feet clear of pinch points. If riding liftgate, make sure load is stable and footing is solid.

6

**WARNING**  
When unloading & stowing platform, stay clear of bumpers.

**WARNING**  
To avoid injury stay out of the path when the platform is vehicle. Hold back when the safe.

**WARNING**  
To avoid possible injury and damage to equipment, never stand on lift arms, parallel arms, or bottom side of platform.

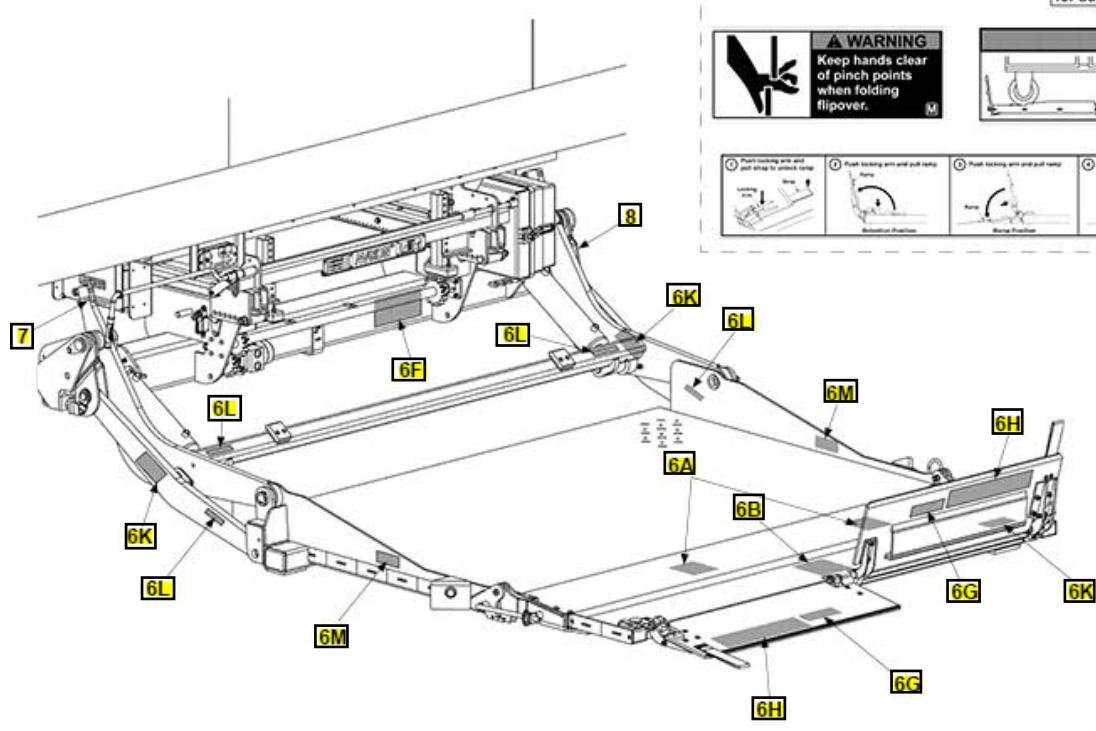
**WARNING**  
Keep hands & feet clear of lifting arms.

**WARNING**  
Keep hands clear of pinch points when folding flipover.

**WARNING**  
To prevent personal injury & equipment damage, avoid working under the platform while platform is raised off the ground. Refer to Maintenance Manual for additional safety instructions.

**WARNING**  
To prevent personal injury & damaged equipment, ramp must be in extension position when cart is being raised or lowered on platform.

Push locking arm and pull stop to attach ramp.  
Push locking arm and pull ramp.  
Push locking arm and pull ramp.  
Push ramp.  
Push ramp.



Pos	SKU	Description	Qty	Remark
1	282522-01	DECAL SHEET,SM WARN & CAUTION	1	
2	220388-04	DECAL 3500# CAPACITY	1	
2	220388-05	DECAL 4500# CAPACITY	1	
3	283024-03	DECAL, OPER INSTR, GPSLR & RA	1	
4	282682-05	DECAL, CAUTION, SLIDER POSN	1	
5	282683-05	DECAL, CAUTION, CLEARANCE	1	
6	267432-03	DECAL SHEET,GPSLR & RA	1	
7	283023-01	DECAL, WARNING, BATTERY JUMP	1	
8	299349-03	DECAL, QR CODE, COMMON RA	1	