

---

# GPSLRT-18-10

## Table of Contents

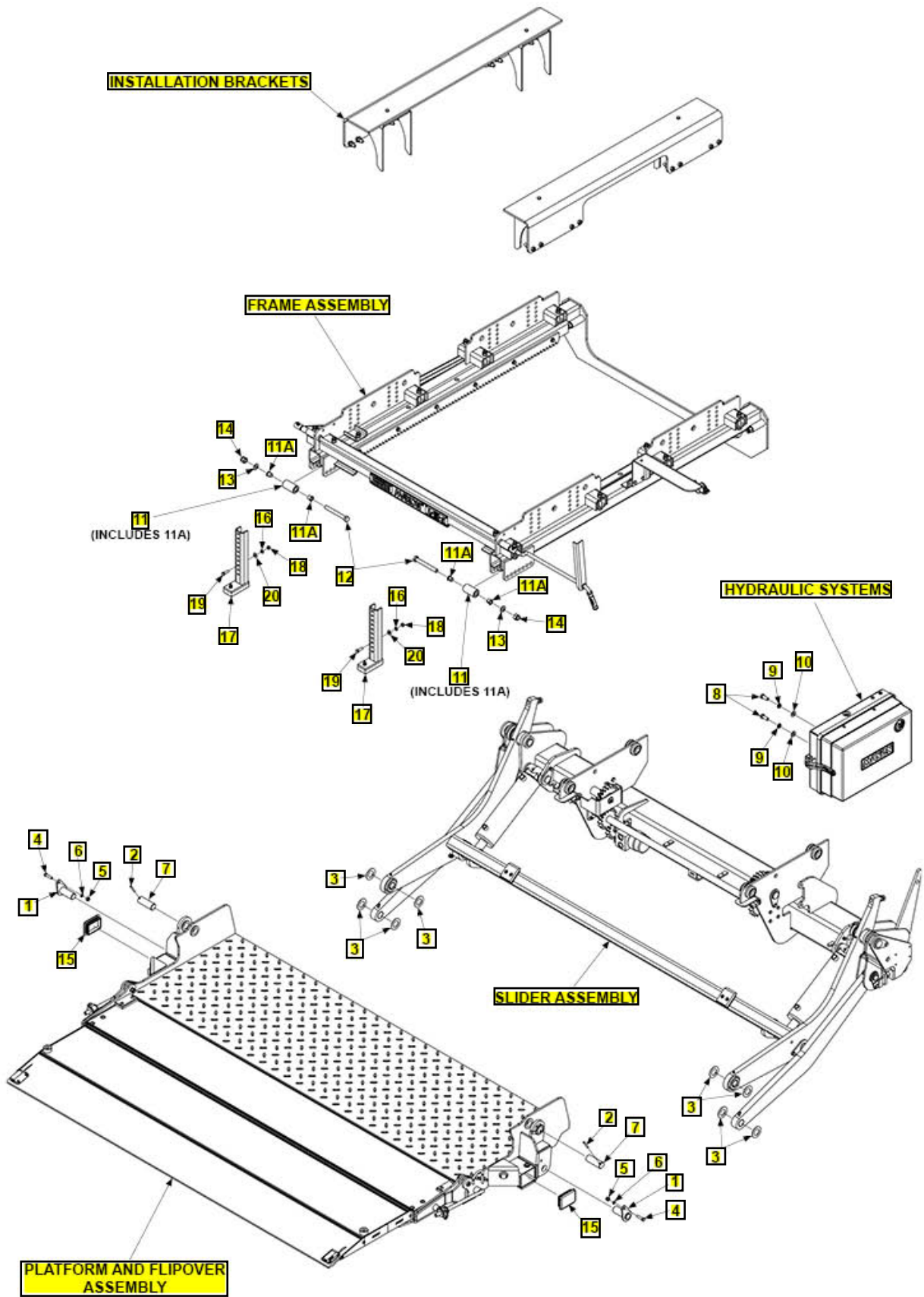
---

<b>Book Page</b>	<b>Page Number</b>
Final Assembly	3
Frame Assembly	5
Installation Brackets	9
Slider Assembly	11
Lift Frame Assembly	15
Platform Flipover	17
Platform Flipover FR	18
Platform Flipover FR 2025 09	21
Platform Flipover RR	24
Platform with Railing Flipover	27
Platform with CS Flipover	29
Platform Railing	31
Platform CS	33
Flipover FR	35
Flipover FR 2025 09	37
Flipover FR DCS	39
Flipover FR DCS 2025 09	42
Flipover SRR	45
Flipover SRR PR	48
Flipover SRR PCS	51
Flipover DRR	54
Flipover DRR 2025 09	57
Flipover DRR PCS	60
Single Retention Ramp	63

Right Dual Retention Ramp	66
Left Dual Retention Ramp	69
Hydraulic Systems	72
Hydraulic Systems GD	73
Hydraulic Systems PD	76
Single Pump Assembly	79
Single Pump Assembly 2025 08	83
Single Pump Assembly ECU	86
Single Pump Assembly ECU 2025 08	90
Dual Pump Assembly	93
Dual Pump Assembly 2025 08	97
Dual Pump Assembly ECU	100
Dual Pump Assembly ECU 2025 08	104
Terminal Block Bracket Assembly	107
12 VDC Power Unit	109
24 VDC Power Unit	111
Dual 12 VDC Power Unit	113
Dual 24 VDC Power Unit	115
Electrical Systems	117
J Box and Main Switch Assembly	119
J Box Assembly	121
Decals	124

### FINAL ASSEMBLY

LAST UPDATED  
MAR 2024 to present

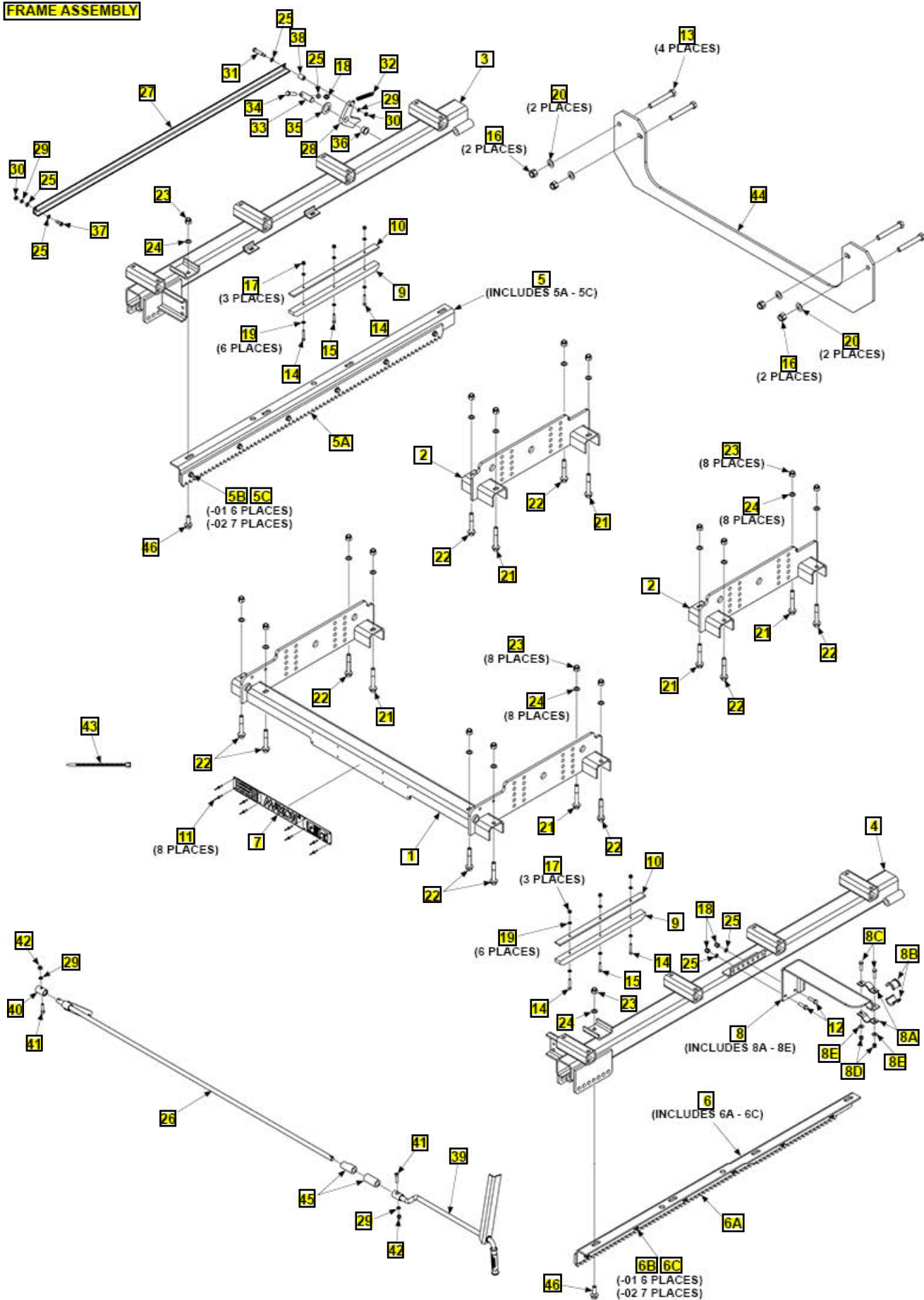


Pos	SKU	Description	Qty	Remark
1	288058-01	PIN WLDMT, 1.25OD X 3.5 LGQ	2	
2	905033-5	ROLL PIN .250 O.D.X2.00"LG	2	
3	908078-02	FB THRUST BEARING, 1.25 ID	8	
4	900764-09	SCREW, HEX CAP .38-16X1.5, SS	2	
5	903134-01	NUT, NYL INSRT STOP .375-16 SS	2	
6	902000-9	WASHER, FLAT.375X.032 THK	2	
7	289347-01	PIN, Ø1.25 X 3.5	2	
8	900734-05	SCREW,HXHD.5-13X1.25,UNC-2A,SS		
9	902019-7	WASHER,LOCK S/ST .869ODX.512ID	2	
10	903409-04	WASHER,FEND .50 X1.13OD,SS	2	
11	289036-01	ROLLER ASSY, SLIDER STOP	2	
11A	908217-04	BEARING, FLNGD, SELF LUB .63 DIA SHX.75 LG	2	
12	900055-17	SCREW,HEX HEAD.625-11UNC X5.25	2	
13	902000-18	WASHER, FLAT .625 .063 THK	2	
14	040156	NUT, LOCK 5/8-11 GR8	2	
15	905240-01	PLUG, 3 X 4, 6-8GA, TUBE	2	
16	902011-4	WASHER, LOCK 3/8X.094 ZC	2	
17	287630-01G	STOP ASSY. PLATFORM, LONG	2	
18	901011-5	NUT, HEX HEAD .375-16 UNC-2B	2	
19	900014-5	SCREW,HEX CAP.38-16X1.25,G8,ZC	2	
20	902001-2	WASHER, FLAT 3/8X1/16 ZC	2	

### FRAME ASSEMBLY

COMPLETE ASSEMBLY:  
**FRAME ASSEMBLY**

LAST UPDATED  
MAR 2024 to present



Pos	SKU	Description	Qty	Remark
REF	288800-03G	FRAME ASSY, SLDR, 47.1W X 67.4LG, TRK, G	1	
REF	288800-04G	FRAME ASSY, SLDR, 47.1W X 77.4LG, TRK, G	1	
1	288850-03G	FRAME WLDMT, FRONT, TRK, 47.13IN W, G	1	
2	288851-01G	FRAME WLDMT, BACK, G	2	
3	288870-01	FRAME WLDMT, 67IN LG, LH	1	
3	288870-03	FRAME WLDMT, 77IN LG, LH	1	
4	288870-02	FRAME WLDMT, 67IN LG, RH	1	
4	288870-04	FRAME WLDMT, 77IN LG, RH	1	
5	287510-01G	GEAR RACK ASSY, 56.25IN LG, LH, GAL	1	
5	287510-03G	GEAR RACK ASSY, 66.25IN LG, LH, GAL	1	
5A	211512-01G	RACK, STEEL, RECT, .38 X 53.5 LG, ZC	1	
5A	211512-02G	RACK, STEEL, RECT, .38 X 63.5 LG, ZC	1	
5B	901624-05	BOLT HEX FRAME .38-16X1.25IN LG	7	
5C	903136-03	FLANGE LOCK NUT, .38-16, PL	1	
6	287510-02G	GEAR RACK ASSY, 56.25IN LG, RH, GAL	1	
6	287510-04G	GEAR RACK ASSY, 66.25IN LG, RH, GAL	1	
6A	211512-01G	RACK, STEEL, RECT, .38 X 53.5 LG, ZC	1	
6A	211512-02G	RACK, STEEL, RECT, .38 X 63.5 LG, ZC	1	
6B	901624-05	BOLT HEX FRAME .38-16X1.25IN LG	7	
6C	903136-03	FLANGE LOCK NUT, .38-16, PL	7	
7	280004-01	PLATE, MAXON NAME & DECALS	1	
8	211244-01	BRACKET ASSY, FLEX CABLE, LONG	1	

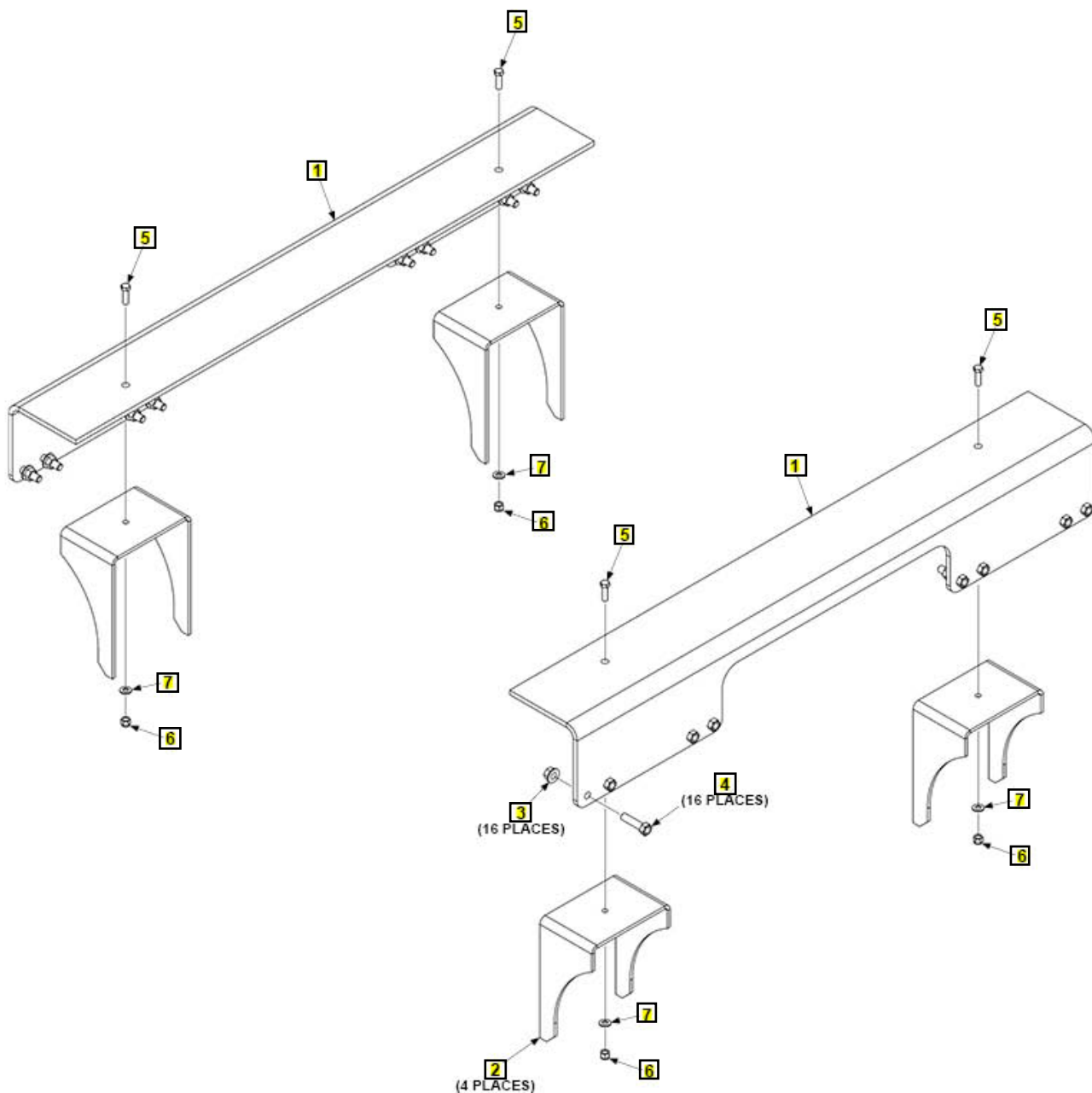
Pos	SKU	Description	Qty	Remark
8A	211148-01	BRACKET, FLEX CABLE CLAMPING	2	
8B	211149-01	CUSHION, FLEX CABLE CLAMPING	2	
8C	901602-07	BOLT, HEX.313-18 X1.25,18-8 SS	2	
8D	901001	NUT, NYLON 5/16-18 ZINC	2	
8E	903409-02	WASHER,FEND .34 X.75OD,SS	2	
9	289219-01	BUMPER, F/O SUPPORT	2	
10	289223-01	FLAT, F/O BUMPER MOUNT	2	
11	904005-2	RIVET,BLIND SSTL DOME.187X.565	8	
12	900014-5	SCREW,HEX CAP.38-16X1.25,G8,ZC	2	
13	900055-14	SCREW,HEX HEAD.625-11UNC X4.5	4	
14	900025-6	SCREW, SOC 1/4-20X1-1/2 ALLOY	4	
15	900025-5	SCREW, SOC 1/4-20X1-1/4 ALLOY	2	
16	040156	NUT, LOCK 5/8-11 GR8	4	
17	901000	NUT, NYLON 1/4-20 ZINC	6	
18	901002	NUT, NYLON 3/8-16 ZINC	3	
19	902000-1	WASHER, FLAT 1/4X1/16 USS ZC	12	
20	902000-18	WASHER, FLAT .625 .063 THK	4	
21	901024-10	BOLT HEX FRAME .5-13X3.5"LG	6	
22	901024-6	BOLT HEX FRAME .5-13 X 3.25"LG	10	
23	901010	NUT, NYLON LOCK 1/2-13 ZC	18	
24	902000-14	WASHER, FLAT .500X.063 THK	18	
25	902000-9	WASHER, FLAT.375X.032 THK	6	

Pos	SKU	Description	Qty	Remark
26	289155-03G	ARM WLDMT, SLIDER LOCK, 56.38 LG, GAL	1	
27	289152-04	ARM, SLIDER LOCK, 67" FRAME, 51.63" LG	1	
27	289152-05	ARM, SLIDER LOCK, 77" FRAME, 61.63" LG	1	
28	288814-01	LEVER, SLIDER STOW LOCK	1	
29	902000-7	WASHER, FLAT .312 .032 THK	4	
30	901016-3	NUT HEX THN HD LKG.313-18UNC	2	
31	900723-08	SCREW,SHLDR.38 X1.5 LG,SS	1	
32	908176-04	SPRING,EXT,.5ODX.063WRX2.25LG,SS		
33	289343-01	PIN, LOCKING BRACKET	1	
34	900014-7	SCREW,HEX CAP.38-16X1.75,G8,ZC	1	
35	903458-04	WASHER, UHMW PE, 1IDX1.75OD	1	
36	261837-16	BUSHING, FLNG,PLST .754 IDX.63	1	
37	900723-02	SCREW,SHLDR.38 X.38 LG,SS	1	
38	092023-15	RD TUBE.63"OD X.13IN W X.88IN LG, ZC	1	
39	289161-04	HANDLE ASSY, REAR MNT SLIDER, LONG	1	
40	289346-02	BUSHING, HANDLE, ZC	1	
41	900831-07	SCREW, SOC HD CAP .312-18 X1.25, ZC	2	
42	901001	NUT, NYLON 5/16-18 ZINC	2	
43	205780	TIE, PLASTIC 7" (50 LB)	2	
44	211247-01G	PLATE, FRAME END, 53 X 12, GAL	1	
45	289356-01	SPACER, HANDLE	2	
46	901024-5	BOLT HEX FRAME .5-13 X 1.50" LG	2	

### INSTALLATION BRACKETS

COMPLETE ASSEMBLY:  
**INSTALLATION BRACKETS**

LAST UPDATED  
MAR 2024 to present



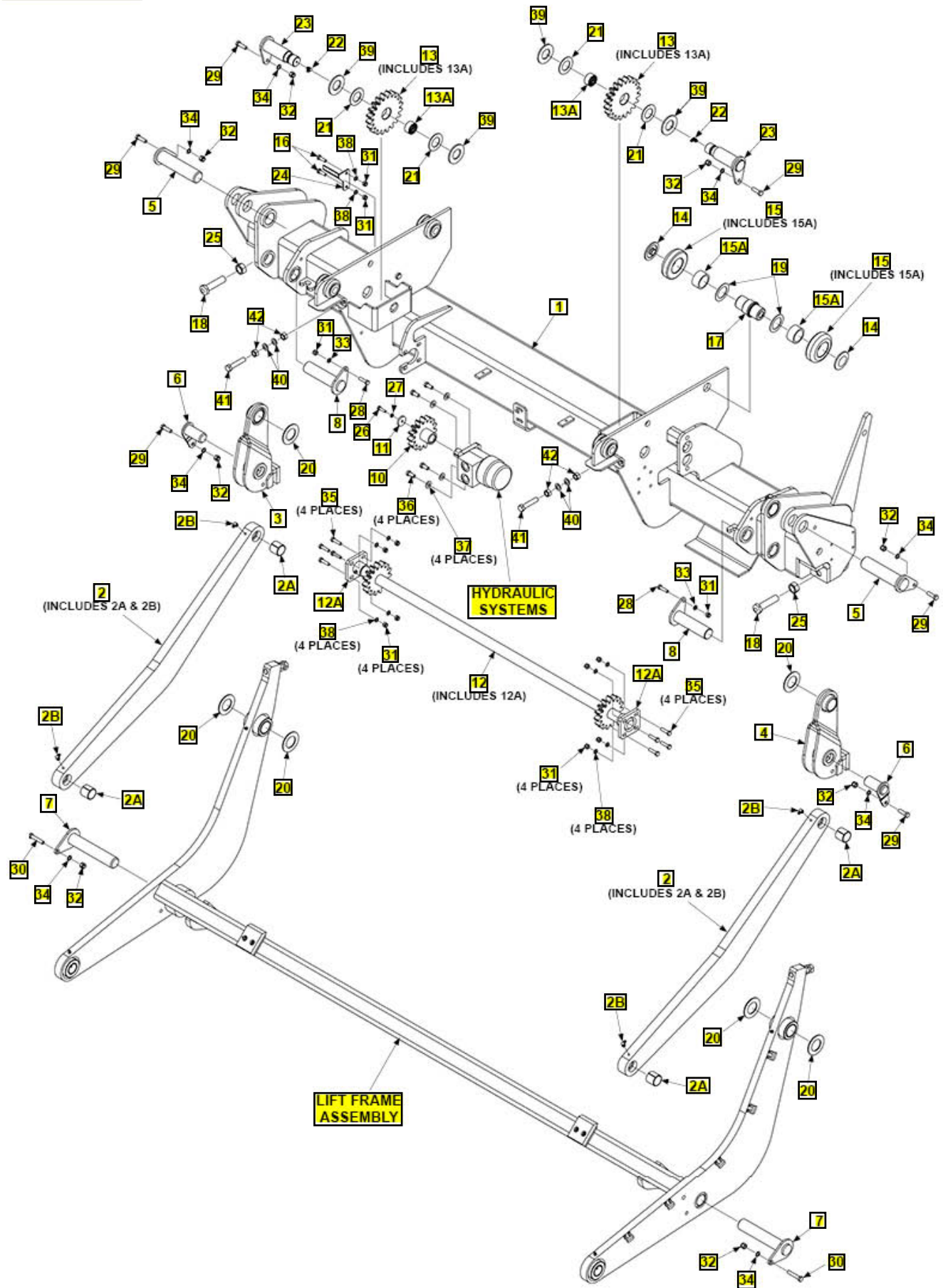
Pos	SKU	Description	Qty	Remark
REF	287930-11	KIT, INSTL BRKT, GPLSR, 50" LG	1	
REF	287930-12	KIT, INSTL BRKT, GPLSR, 60IN LG	1	
1	289393-01	PLATE, GPLSRT INSTAL, 50IN LG	2	
1	289393-02	PLATE, GPLSRT INSTAL, 60IN LG	2	
2	289059-01	GUSSET, FRAME, TRUCK MOUNT	4	
3	901023	FLANGE LOCK NUT	16	
4	901635-05	BOLT,HEX HD.5-13 UNC-2A 2.00, GR 9, ZC	16	
5	900014-5	SCREW,HEX CAP.38-16X1.25,G8,ZC	4	
6	901002	NUT, NYLON 3/8-16 ZINC	4	
7	902013-11	WASHER, FLAT 3/8" ZC	4	

### SLIDER ASSEMBLY

COMPLETE ASSEMBLY:

**SLIDER ASSEMBLY**

LAST UPDATED  
MAR 2024 to present



Pos	SKU	Description	Qty	Remark
REF	288200-01G	SLIDER ASSY, 96IN, GALV	1	
1	288202-01G	MAIN FRAME WLDMT, 96IN LG, GAL	1	
2	288035-01G	TILT ARM ASSY, SLIDER, GALV	2	
2A`	905114-03	BEARING, SELF LUBE 1-1/4X1-1/4	2	
2B	906760-01	GREASE FITTING, THD FORMING, 90DIA ELBOW	2	
3	287708-02G	SWING BRACKET WLDMT, RH, GALV	1	
4	287708-01G	SWING BRACKET WLDMT, LH, GALV	1	
5	288085-02	PIN WLDMT, 1.5OD X 6.69 LG	2	
6	289682-01	PIN WLDMT, SWING ARM	2	
7	289043-02	PIN WLDMT, 1.38OD X 7.75 LG	2	
8	288514-01	PIN WLDMT, .38OD X 5.75LG`	2	
10	287590-01G	PINION WLDMT, HYD. MOTOR, ZC	1	
11	289673-01	WASHER, OVERSIZED, 1.25ODX.28IDX.19THK	1	
12	287580-01G	PINION DRIVE ASSY, 46.38 WIDE, GAL	1	
12A	288550-01	PLATE ASSY, PINION MOUNT	2	
13	287560-01G	PINION ASSEMBLY, 20 TEETH, ZC	2	
13A	908177-01	BEARING,PRE LUBRICATING 1.25ID X .75 LG	1	
14	289251-01	ROLLER INSERT	8	
15	288388-01	ROLLER ASSY	8	
15A	295224-01	HIGH SHOCK LOAD, BUSHES 1/8"	1	
16	900009-2	SCREW, CAP.31-18X1 GR8 ZC	2	
17	289236-01	SHAFT ROLLER 1.00 DIA X 2.219 IN LG	4	
18	288219-03	BOLT, .75-10 X 3LG	2	

Pos	SKU	Description	Qty	Remark
19	903460-01	WASHER, SHIM 1.00 ID X 1.50 OD SS	8	
20	908078-04	FB THRUST BEARING 1.5 ID	6	
21	908078-02	FB THRUST BEARING, 1.25 ID	4	
22	906760-01	GREASE FITTING, THD FORMING, 90DIA ELBOW	2	
23	211109-01	PIN WLDMT, PINION	2	
24	211096-01	BRACKET, LIMIT SWITCH MOUNTING	1	Aug 2025 & Before
24	287825-01	BRACKET WLDMT, SENSOR MOUNTING	1	Sept 2025 & After
25	030336	NUT 3/4-10NC	2	
26	901603-06	BOLT, HEX .250-20X1, 18-8 SS	1	
27	902011-2	WASHER, LOCK .25 X .062 THK	1	
28	900009-5	SCREW, CAP 5/16-18X1-1/4 G8 ZC	2	
29	900014-5	SCREW,HEX CAP.38-16X1.25,G8,ZC	6	
30	900014-8	SCREW,HEX CAP.38-16X2,G8,ZC	2	
31	901001	NUT, NYLON 5/16-18 ZINC	12	
32	901002	NUT, NYLON 3/8-16 ZINC	8	
33	902000-8	WASHER, FLAT .312 .063 THK	2	
34	902000-9	WASHER, FLAT.375X.032 THK	8	
35	901602-07	BOLT, HEX.313-18 X1.25,18-8 SS	8	
36	900764-05	SCREW, HEX CAP .38-16X.88, SS	4	
37	903409-03	WASHER,FEND .41 X.88OD,SS	4	
38	902000-7	WASHER, FLAT .312 .032 THK	10	
39	902013-20	WASHER, FLAT 1-1/4" ZC	4	

---

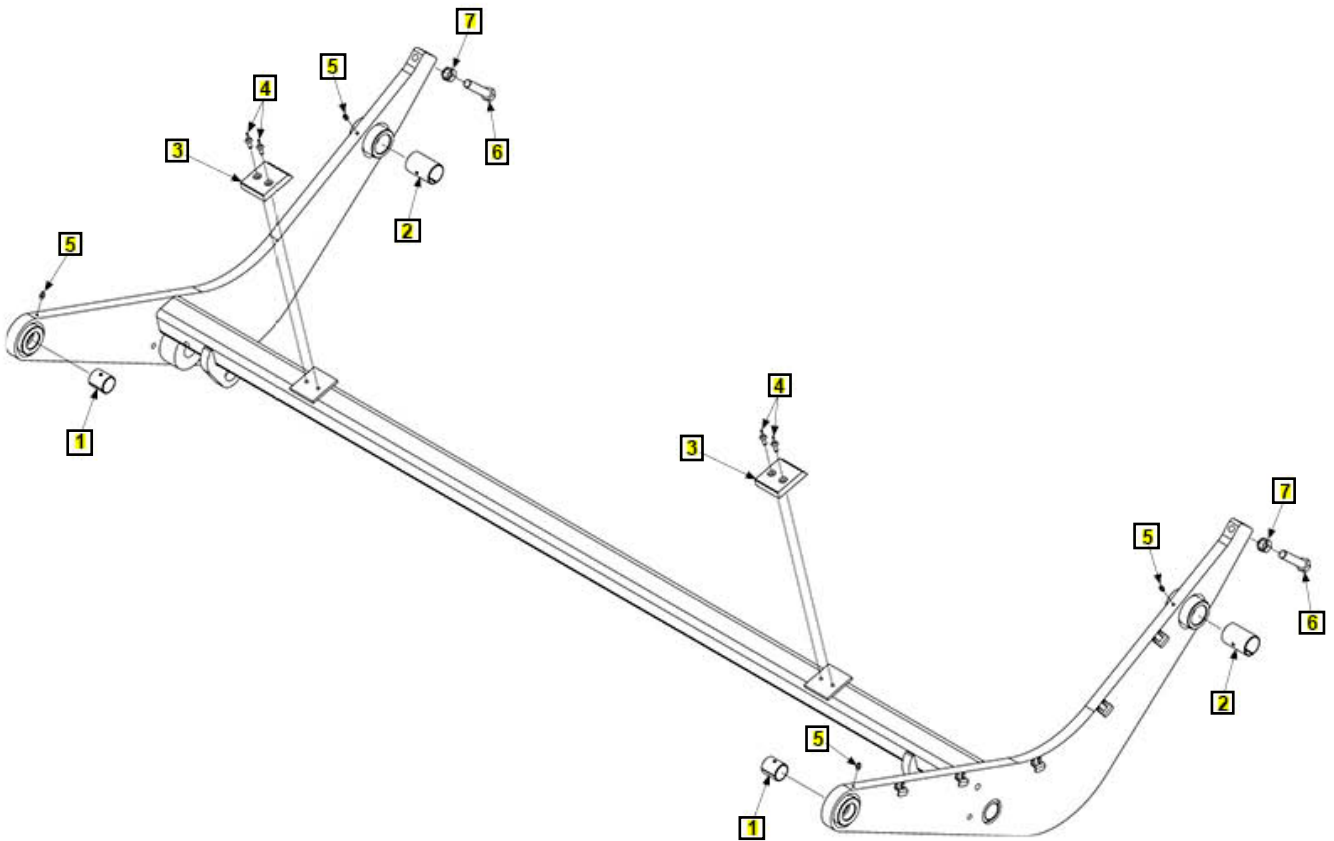
Pos	SKU	Description	Qty	Remark
40	902028-8	WASHER,FLAT .531 OD X .260 ID	4	
41	900773-08	SCREW,HXHD.5-13X2.5,UNC- 2A,GR8 ZC,FULL THD	2	
42	901011-9	NUT, HEX HEAD .500-13 UNC-2B	4	

---

### LIFT FRAME ASSEMBLY

COMPLETE ASSEMBLY:  
**LIFT FRAME ASSEMBLY**

LAST UPDATED  
MAR 2024 to present



Pos	SKU	Description	Qty	Remark
REF	287730-01G	LIFT FRAME ASSY, 87.63, GAL	1	
1	905114-04	BEARING, SELF LUBE 1-1/4X1-1/2	2	
2	905116-04	BEARING, S/LUBE FABROID, 1.5 X 2.5	2	
3	288842-01	SADDLE, P/F OPENER	2	
4	903715-06	RIVET,BL/DM,AL/AL .25X.62-.75	4	
5	224342	FITTING, GREASE 1/4"SELF DRILL	4	
6	287819-01	BOLT, MODIFIED, .63-11 X 3IN LG	2	
7	030329	NUT, 5/8-11 ZINC	2	

## GPSLR/GPSLRT PLATFORM AND FLIPOVER

Platform and Flipover Assembly with Fixed Ramp

Platform and Flipover Assembly with Fixed Ramp (Mar 2024 to Sept 2025)

Platform and Flipover Assembly with Retention Ramp

Platform with Railing and Flipover Assembly

Platform with Cart Stops and Flipover Assembly

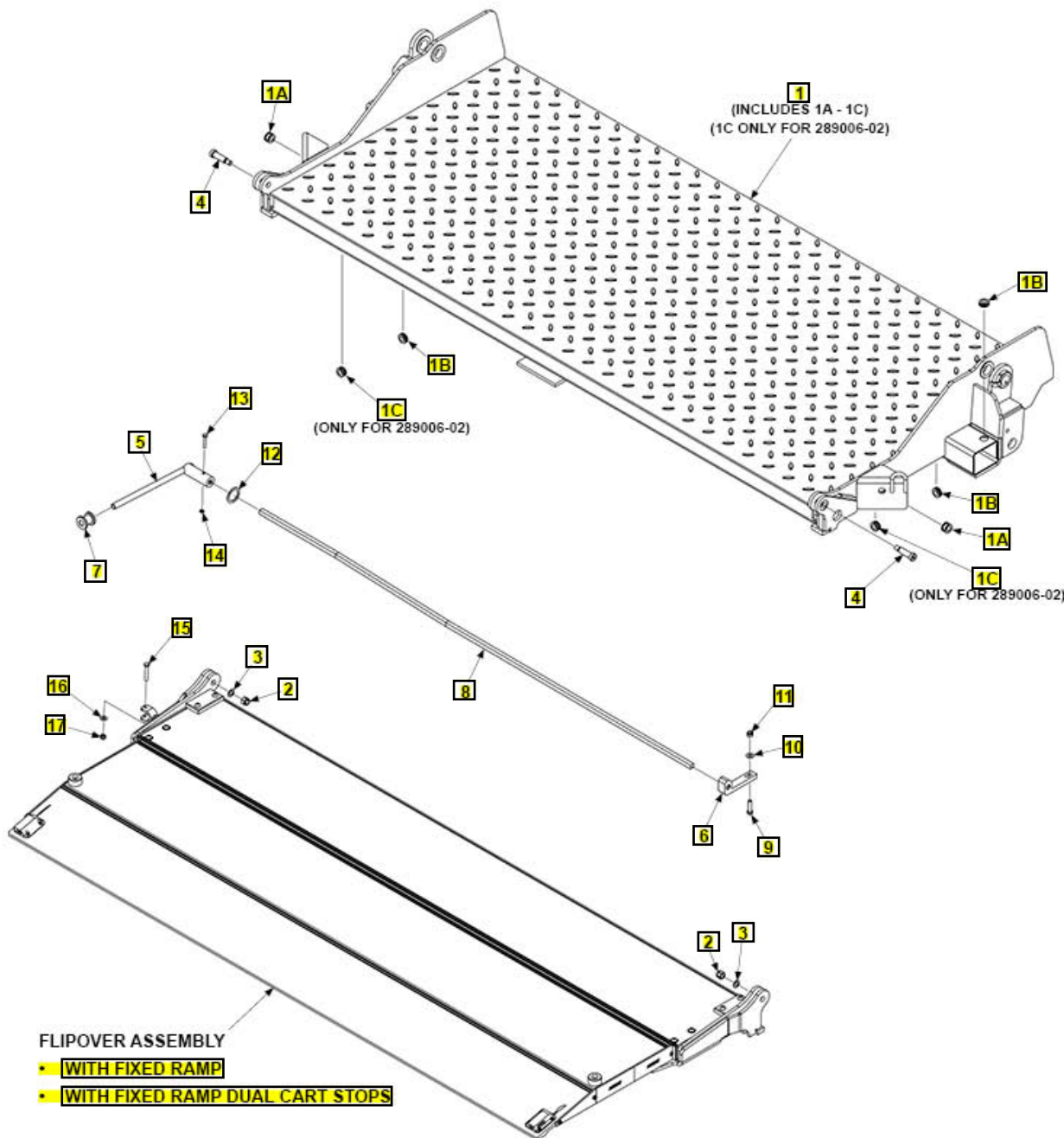
Pos	SKU	Description	Qty	Remark
-----	-----	-------------	-----	--------

PLATFORM AND FLIPOVER ASSEMBLY WITH FIXED RAMP

COMPLETE ASSEMBLY:

**PLATFORM AND FLIPOVER ASSEMBLY WITH FIXED RAMP**

LAST UPDATED  
OCT 2025 to present



Pos	SKU	Description	Qty	Remark
REF	289005-01G	P/F ASSY,ST/AL 86X51+9IN FX RAMP, GAL	1	
REF	289005-02G	P/F ASSY,ST/AL 86X63+9" FX RAMP, GAL	1	
REF	289005-21G	P/F ASSY,ST/AL 86X51+9IN FX RAMP DCS, GAL	1	
REF	289005-22G	P/F ASSY,ST/AL 86X63+9IN FX RAMP DCS, GAL	1	
1	289006-01G	P/F ASSY, STEEL, 86 X 27, GAL	1	
1	289006-02G	P/F ASSY, STEEL, 86 X 37, GAL	1	
1A	908144-01	RUBBER GROMMET.56ID, DIA .88 X .38THK PANEL	2	
1B	908144-02	RUBBER GROMMET.63ID, DIA.88 X .125THK PANEL	3	
1C	908144-04	RUBBER GROMMET.56ID, DIA .81 X .25THK PANEL	2	
2	901016-6	NUT HEX THN HD LKG .500-13UNC	2	
3	902000-14	WASHER, FLAT .500X.063 THK	2	
4	900721-04	SCREW, SHOULDER, .63 X 1.75 LG	2	
5	298957-04	ARM WLDMT, 0.5IN TORSION BAR	1	
6	289258-02	SLIDE-BLOCK,TORSION BAR ADJUST,.5X.5	1	
7	298943-01	BUSHING, TORSION BAR ARM	1	
8	263041-32	TORSION BAR 68 LG	1	
9	900764-09	SCREW, HEX CAP .38-16X1.5, SS	1	
10	903409-03	WASHER,FEND .41 X.88OD,SS	1	
11	903134-01	NUT, NYL INSRT STOP .375-16 SS	1	
12	903407-04	SHIM, SS, 1.38IDX1.88ODX.06THK	1	

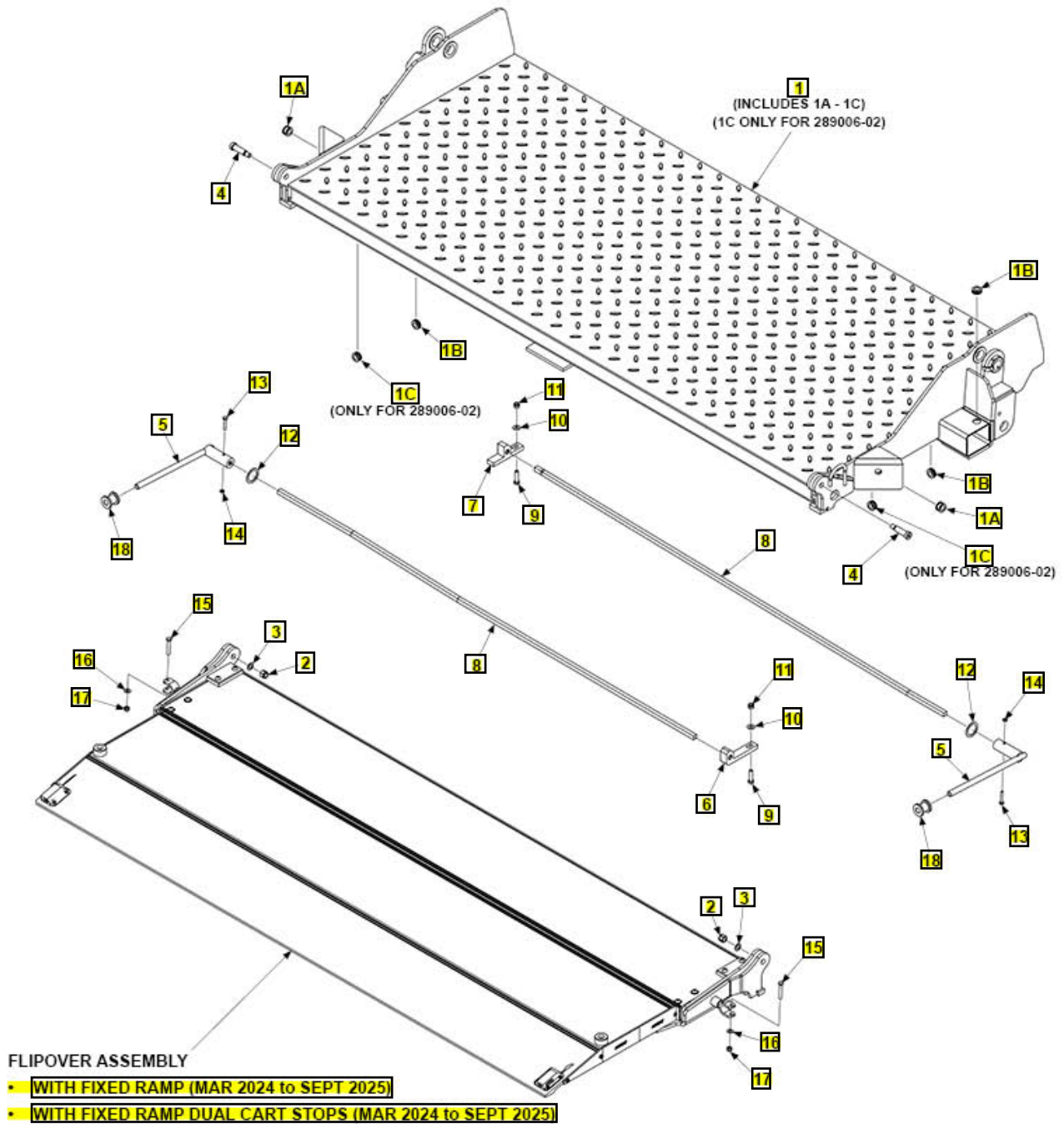
---

Pos	SKU	Description	Qty	Remark
13	901603-10	BOLT, HEX .25-20X1.5,18-8 SS	1	
14	903130-01	NUT, HEX HEAD, WIDE .25-20, SS	1	
15	901602-10	BOLT, HEX .313-18X2.00, 18-8 SS	1	
16	903409-02	WASHER,FEND .34 X.75OD,SS	1	
17	903106-10	NUT, NYL INSRT STOP.313 -18 SS	1	

---

PLATFORM AND FLIPOVER ASSEMBLY WITH FIXED RAMP

LAST UPDATED  
MAR 2024 to SEPT 2025



Pos	SKU	Description	Qty	Remark
REF	289005-01G	P/F ASSY,ST/AL 86X51+9IN FX RAMP, GAL	1	
REF	289005-02G	P/F ASSY,ST/AL 86X63+9" FX RAMP, GAL	1	
REF	289005-21G	P/F ASSY,ST/AL 86X51+9IN FX RAMP DCS, GAL	1	
REF	289005-22G	P/F ASSY,ST/AL 86X63+9IN FX RAMP DCS, GAL	1	
1	289006-01G	P/F ASSY, STEEL, 86 X 27, GAL	1	
1	289006-02G	P/F ASSY, STEEL, 86 X 37, GAL	1	
1A	908144-01	RUBBER GROMMET.56ID, DIA .88 X .38THK PANEL	2	
1B	908144-02	RUBBER GROMMET.63ID, DIA.88 X .125THK PANEL	3	
1C	908144-04	RUBBER GROMMET.56ID, DIA .81 X .25THK PANEL	2	
2	901010	NUT, NYLON LOCK 1/2-13 ZC	2	
3	902000-14	WASHER, FLAT .500X.063 THK	2	
4	900721-04	SCREW, SHOULDER, .63 X 1.75 LG	2	
5	298957-04	ARM WLDMT, 0.5IN TORSION BAR	2	
6	289258-02	SLIDE-BLOCK,TORSION BAR ADJUST,.5X.5	1	
7	289257-02	SLIDE-BLOCK,TORSION BAR ADJUST,.5X.5	1	
8	263041-32	TORSION BAR 68 LG	2	
9	900764-09	SCREW, HEX CAP .38-16X1.5, SS	2	
10	903409-03	WASHER,FEND .41 X.88OD,SS	2	
11	903134-01	NUT, NYL INSRT STOP .375-16 SS	2	
12	903407-04	SHIM, SS, 1.38IDX1.88ODX.06THK	2	

---

Pos	SKU	Description	Qty	Remark
13	901603-10	BOLT, HEX .25-20X1.5,18-8 SS	2	
14	903130-01	NUT, HEX HEAD, WIDE .25-20, SS	2	
15	901602-10	BOLT, HEX .313-18X2.00, 18-8 SS	2	
16	903409-02	WASHER,FEND .34 X.75OD,SS	2	
17	903106-10	NUT, NYL INSRT STOP.313 -18 SS	2	
18	298943-01	BUSHING, TORSION BAR ARM	2	

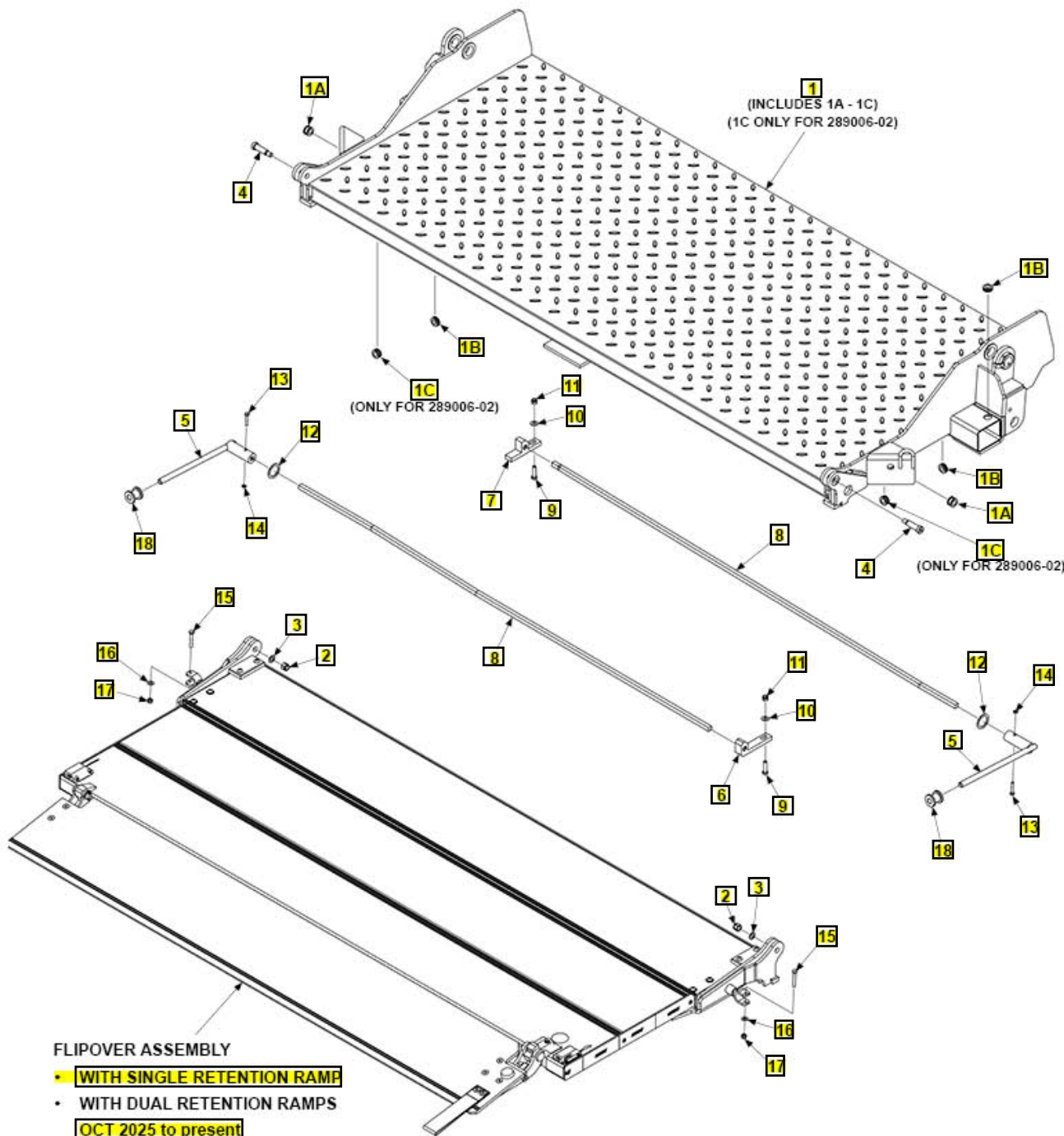
---

PLATFORM AND FLIPOVER ASSEMBLY WITH RETENTION RAMP

COMPLETE ASSEMBLY:

**PLATFORM AND FLIPOVER ASSEMBLY WITH RETENTION RAMP**

LAST UPDATED  
MAR 2024 to present



- **WITH SINGLE RETENTION RAMP**
  - **WITH DUAL RETENTION RAMPS**
- OCT 2025 to present**
- MAR 2024 to SEPT 2025**

Pos	SKU	Description	Qty	Remark
REF	289005-31G	P/F ASSY,ST/AL 86X60,12IN SRR, GAL	1	
REF	289005-32G	P/F ASSY,ST/AL 86X72,12IN SRR, GAL	1	
REF	289005-33G	P/F ASSY,ST/AL 86X80,12IN SRR, GAL	1	
REF	289005-35G	P/F ASSY,ST/AL 86X60,12IN DRR, GAL	1	
REF	289005-36G	P/F ASSY,ST/AL 86X72,12IN DRR, GAL	1	
REF	289005-37G	P/F ASSY,ST/AL 86X80,12IN DRR, GAL	1	
1	289006-01G	P/F ASSY, STEEL, 86 X 27, GAL	1	
1	289006-02G	P/F ASSY, STEEL, 86 X 37, GAL	1	
1A	908144-01	RUBBER GROMMET.56ID, DIA .88 X .38THK PANEL	2	
1B	908144-02	RUBBER GROMMET.63ID, DIA.88 X .125THK PANEL	3	
1C	908144-04	RUBBER GROMMET.56ID, DIA .81 X .25THK PANEL	2	
2	901016-6	NUT HEX THN HD LKG .500-13UNC	2	
3	902000-14	WASHER, FLAT .500X.063 THK	2	
4	900721-04	SCREW, SHOULDER, .63 X 1.75 LG	2	
5	298957-04	ARM WLDMT, 0.5IN TORSION BAR	2	
6	289258-02	SLIDE-BLOCK,TORSION BAR ADJUST,.5X.5	1	
7	289257-02	SLIDE-BLOCK,TORSION BAR ADJUST,.5X.5	1	
8	263041-32	TORSION BAR 68 LG	2	
9	900764-09	SCREW, HEX CAP .38-16X1.5, SS	2	
10	903409-03	WASHER,FEND .41 X.88OD,SS	2	

---

Pos	SKU	Description	Qty	Remark
11	903134-01	NUT, NYL INSRT STOP .375-16 SS	2	
12	903407-04	SHIM, SS, 1.38IDX1.88ODX.06THK	2	
13	901603-10	BOLT, HEX .25-20X1.5,18-8 SS	2	
14	903130-01	NUT, HEX HEAD, WIDE .25-20, SS	2	
15	901602-10	BOLT, HEX .313-18X2.00, 18-8 SS	2	
16	903409-02	WASHER,FEND .34 X.75OD,SS	2	
17	903106-10	NUT, NYL INSRT STOP.313 -18 SS	2	
18	298943-01	BUSHING, TORSION BAR ARM	2	

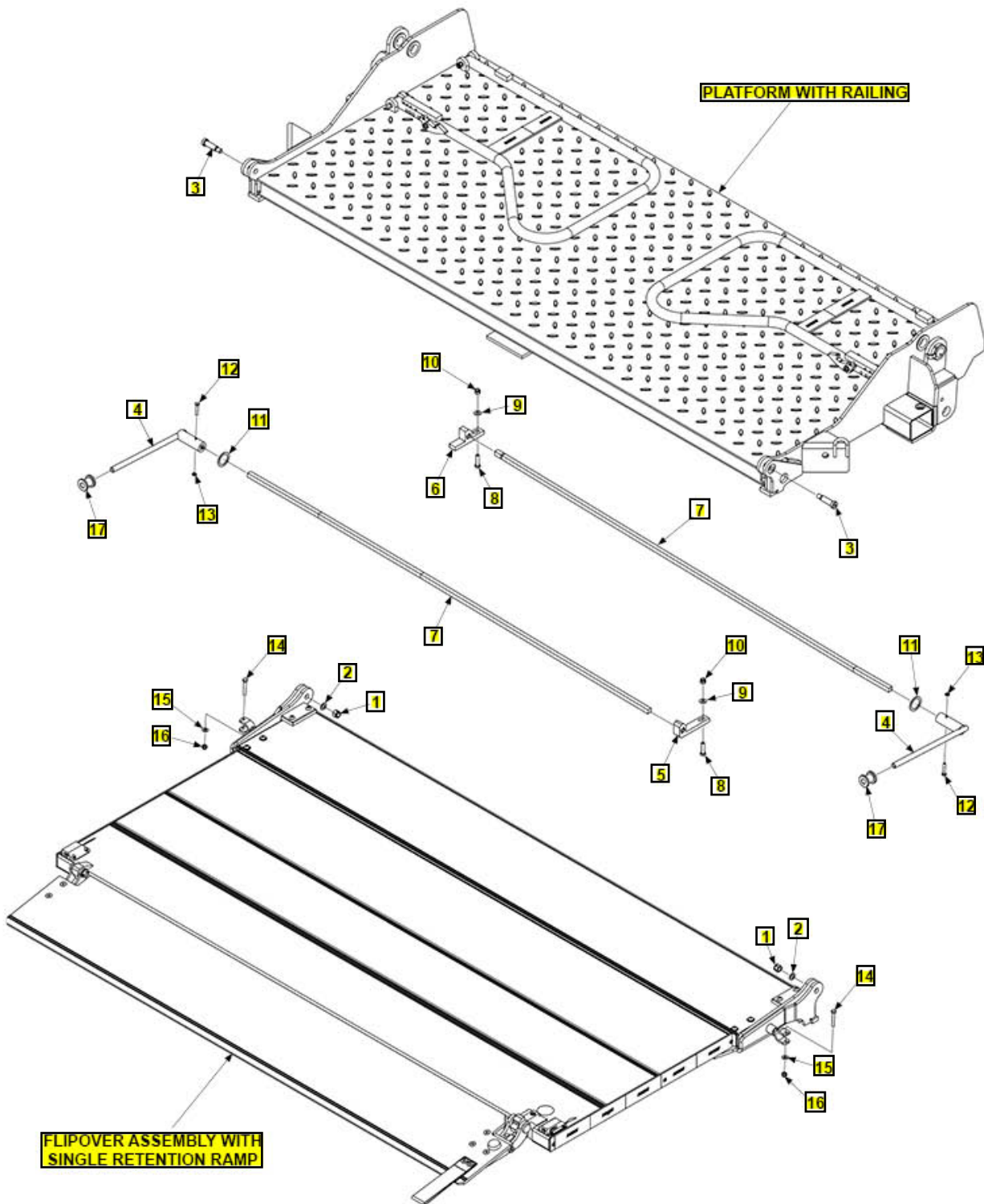
---

PLATFORM WITH RAILING AND FLIPOVER ASSEMBLY

COMPLETE ASSEMBLY:

LAST UPDATED  
MAR 2024 to present

**PLATFORM WITH RAILING AND FLIPOVER ASSEMBLY**



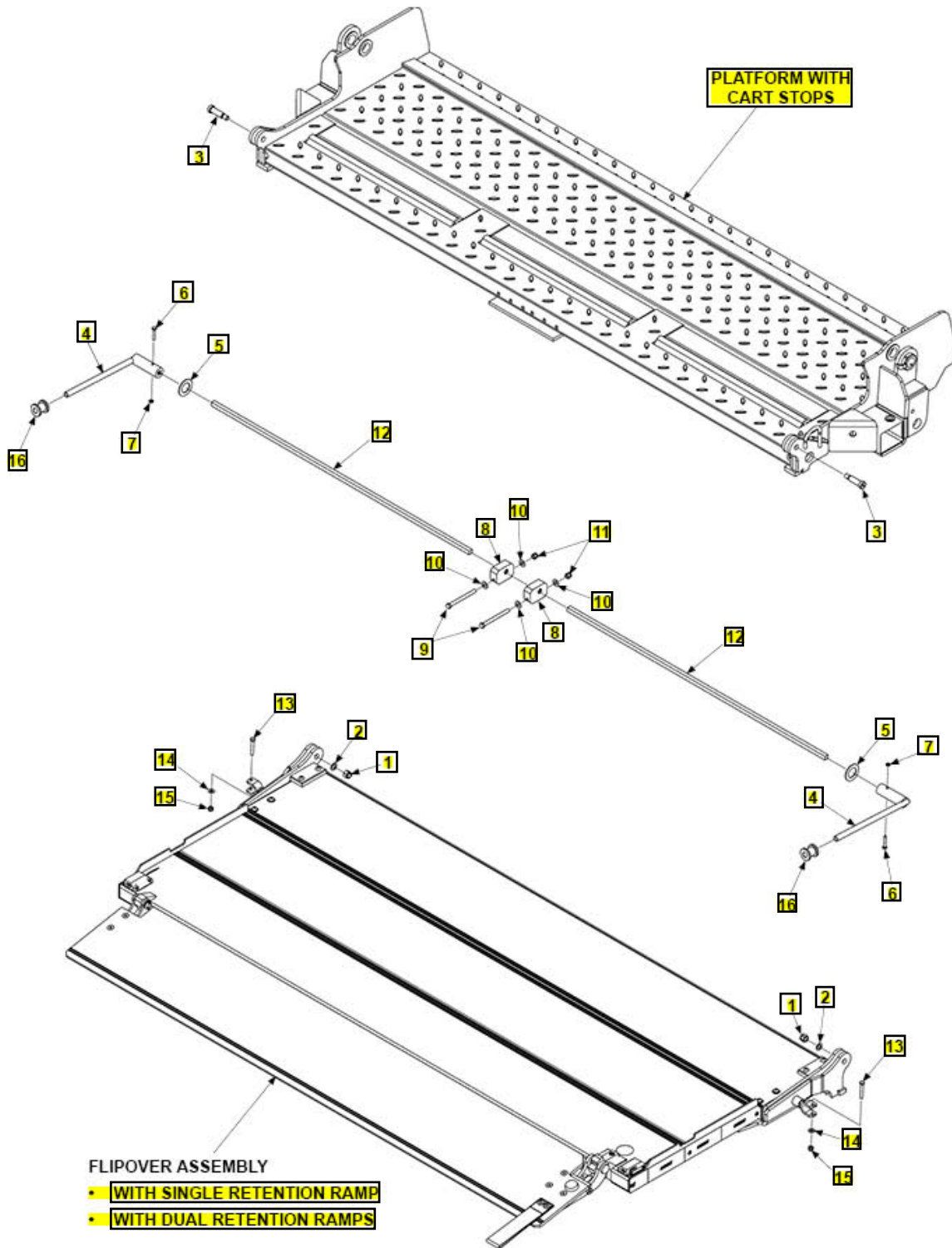
Pos	SKU	Description	Qty	Remark
REF	289005-51G	P/F ASSY,ST/AL 86X80+12 SRR,RLNG, GAL	1	
1	901016-6	NUT HEX THN HD LKG .500-13UNC	2	
2	902000-14	WASHER, FLAT .500X.063 THK	2	
3	900721-04	SCREW, SHOULDER, .63 X 1.75 LG	2	
4	298957-03	ARM WLDMT, 0.56 TORSION BAR	2	
5	289258-01	SLIDE-BLOCK,TORSION BAR ADJUST,.56X.56	1	
6	289257-01	SLIDE-BLOCK,TORSION BAR ADJUST,.56X.56	1	
7	297760-02	TORSION BAR 68.0 LG	2	
8	900764-09	SCREW, HEX CAP .38-16X1.5, SS	2	
9	903409-03	WASHER,FEND .41 X.88OD,SS	2	
10	903134-01	NUT, NYL INSRT STOP .375-16 SS	2	
11	903407-04	SHIM, SS, 1.38IDX1.88ODX.06THK	2	
12	901603-10	BOLT, HEX .25-20X1.5,18-8 SS	2	
13	903130-01	NUT, HEX HEAD, WIDE .25-20, SS	2	
14	901602-10	BOLT, HEX .313-18X2.00, 18-8 SS	2	
15	903409-02	WASHER,FEND .34 X.75OD,SS	2	
16	903106-10	NUT, NYL INSRT STOP.313 -18 SS	2	
17	298943-01	BUSHING, TORSION BAR ARM	2	

PLATFORM WITH CART STOPS AND FLIPOVER ASSEMBLY

COMPLETE ASSEMBLY:

LAST UPDATED  
MAR 2024 to present

**PLATFORM WITH CART STOPS AND FLIPOVER ASSEMBLY**



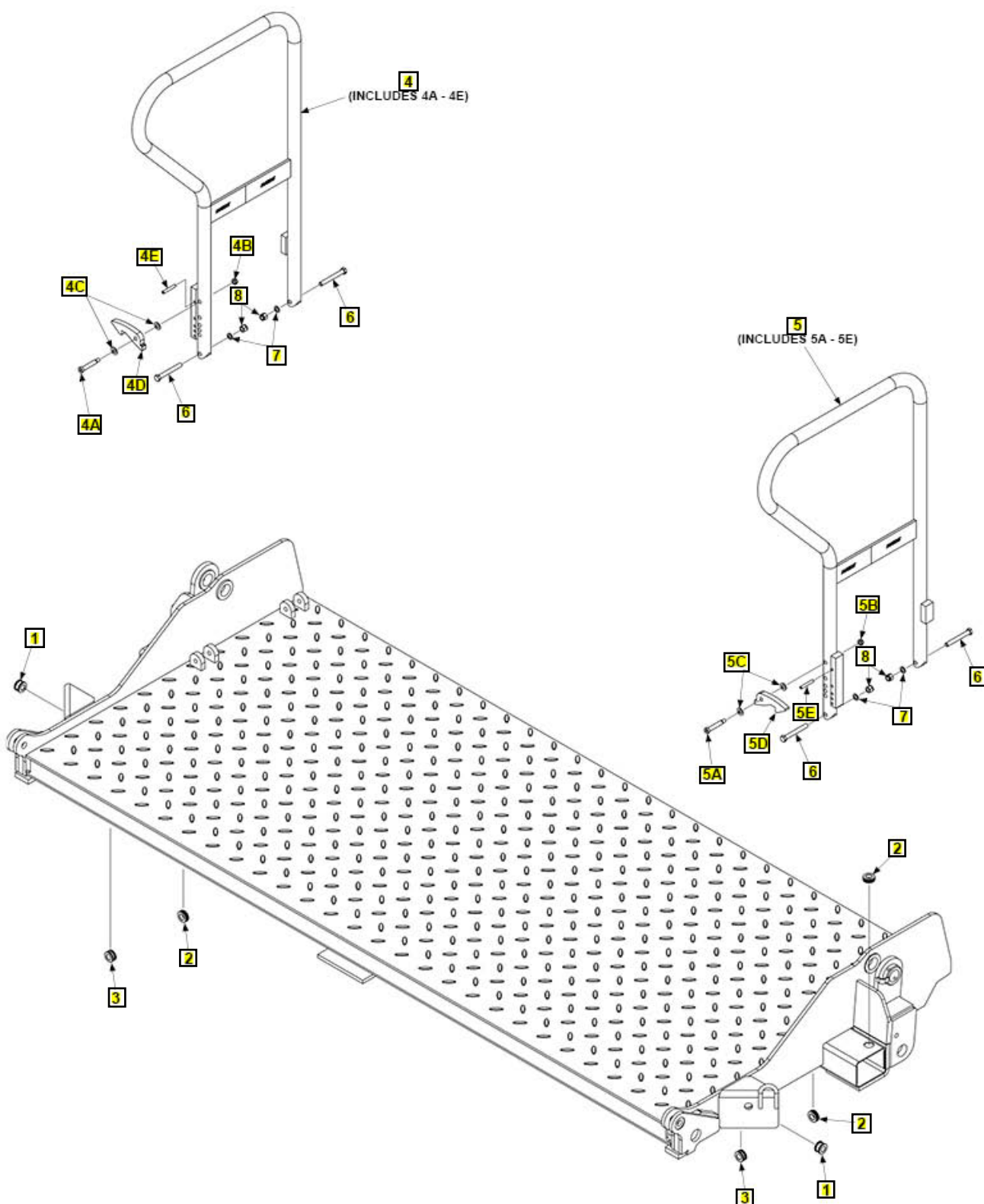
Pos	SKU	Description	Qty	Remark
REF	289005-61G	P/F ASSY,ST/AL 86X60+12" SRR,1.0" HIGH, GAL	1	
REF	289005-71G	P/F ASSY,ST/AL 86X60+12" DRR,1.0" HIGH, GAL	1	
1	901010	NUT, NYLON LOCK 1/2-13 ZC	2	
2	902000-14	WASHER, FLAT .500X.063 THK	2	
3	900721-04	SCREW, SHOULDER, .63 X 1.75 LG	2	
4	298957-01-100	ARM WLDMT, 0.5" TORSION BAR	2	
5	902028-20	WASHER,FLAT 2.125 OD X1.275 ID	2	
6	901603-10	BOLT, HEX .25-20X1.5,18-8 SS	2	
7	903130-01	NUT, HEX HEAD, WIDE .25-20, SS	2	
8	298626-02	BLOCK, ADJUSTER, .50 TORSION BAR	2	
9	900764-22	SCREW, HEX CAP .38-16X4.25, SS	2	
10	903409-03	WASHER,FEND .41 X.88OD,SS	4	
11	903134-01	NUT, NYL INSRT STOP .375-16 SS	2	
12	263041-15	TORSION BAR 42.19"LG	2	
13	901602-10	BOLT, HEX .313-18X2.00, 18-8 SS	2	
14	903409-02	WASHER,FEND .34 X.75OD,SS	2	
15	903106-10	NUT, NYL INSRT STOP.313 -18 SS	2	
16	298943-01	BUSHING, TORSION BAR ARM	2	

PLATFORM ASSEMBLY WITH RAILING

COMPLETE ASSEMBLY:

**PLATFORM ASSEMBLY WITH RAILING**

LAST UPDATED  
MAR 2024 to present



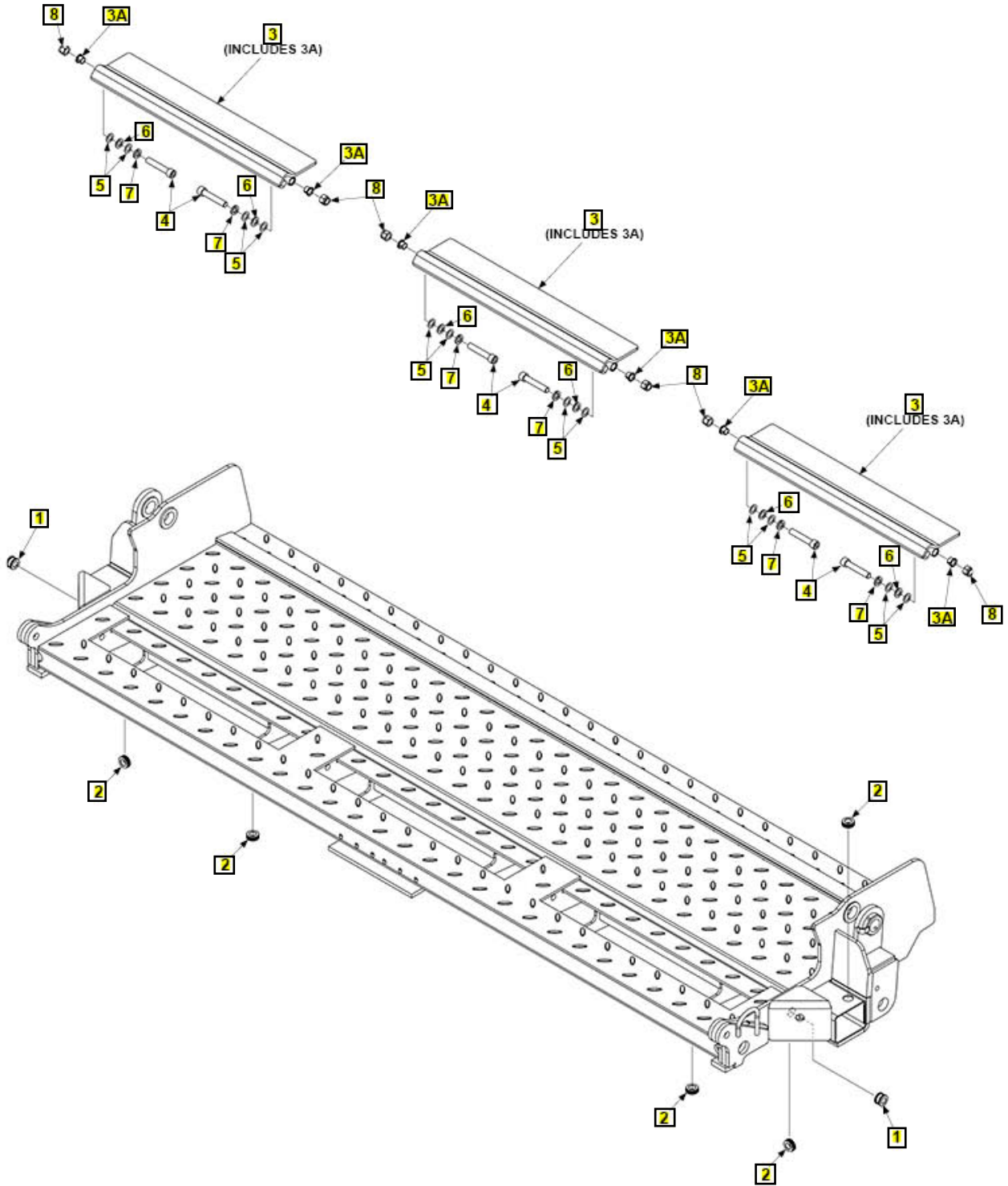
Pos	SKU	Description	Qty	Remark
REF	289006-11G	P/F ASSY W/RAILING, STL 86 X 37, GAL	1	
1	908144-01	RUBBER GROMMET.56ID, DIA .88 X .38THK PANEL	2	
2	908144-02	RUBBER GROMMET.63ID, DIA.88 X .125THK PANEL	3	
3	908144-04	RUBBER GROMMET.56ID, DIA .81 X .25THK PANEL	2	
4	298988-08	RAILING ASSY, PLATFORM, LH GPSLR COMMON UNIT	1	
4A	900723-09	SCR, SHLDR, .38 X 1.75 LG, SS	1	
4B	901016-3	NUT HEX THN HD LKG.313-18UNC	1	
4C	903402-09	WASHER,FLAT,NYLON,.38ID X.75OD	2	
4D	298769-01	LATCH, RAILING, GPTLR'S	1	
4E	904726-11	PIN, ROLL .25 DIA X 1.63 LG, SS	1	
5	298988-07	RAILING ASSY, PLATFORM, RH GPSLR COMMON UNIT	1	
5A	900723-09	SCR, SHLDR, .38 X 1.75 LG, SS	1	
5B	901016-3	NUT HEX THN HD LKG.313-18UNC	1	
5C	903402-09	WASHER,FLAT,NYLON,.38ID X.75OD	2	
5D	298769-01	LATCH, RAILING, GPTLR'S	1	
5E	904726-11	PIN, ROLL .25 DIA X 1.63 LG, SS	1	
6	900014-11	SCREW,HEX CAP.38-16X3,G8,ZC	4	
7	902000-10	WASHER, FLAT .375X.063 THK	4	
8	901002	NUT, NYLON 3/8-16 ZINC	4	

PLATFORM ASSEMBLY WITH CART STOPS

COMPLETE ASSEMBLY:

**PLATFORM ASSEMBLY WITH CART STOPS**

LAST UPDATED  
MAR 2024 to present



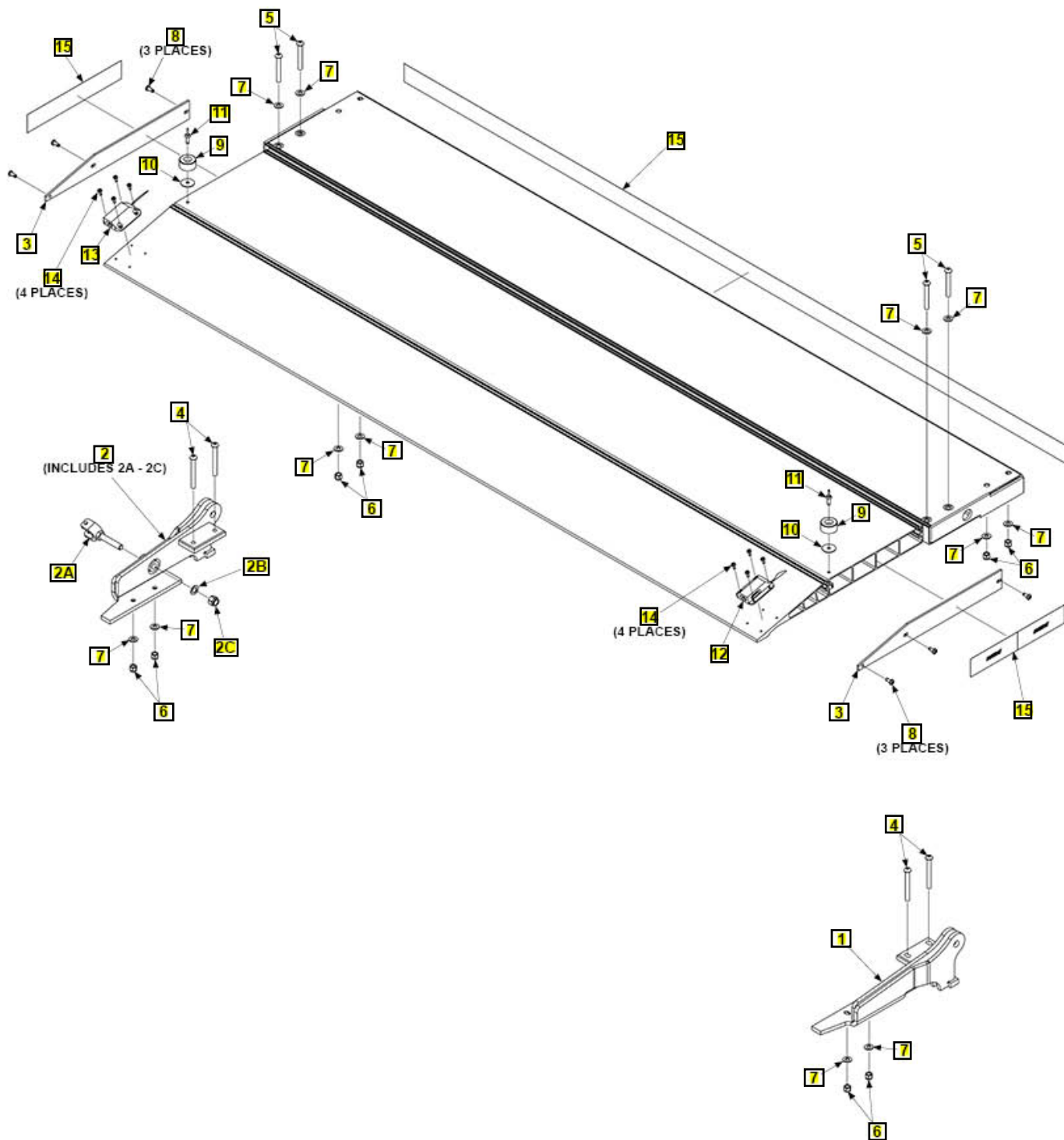
Pos	SKU	Description	Qty	Remark
REF	289006-01G-100	P/F ASSY, STEEL, 86 X 27, GAL, DG	1	
1	908144-01	RUBBER GROMMET.56ID, DIA .88 X .38THK PANEL	2	
2	908144-02	RUBBER GROMMET.63ID, DIA.88 X .125THK PANEL	5	
3	268223-01G	CART STOP ASSY, SLIDER, GALV	3	
3A	908062-07	BEARING,SELF LUBE,.5 X.5	2	
4	900036-12	SCREW SOCHD .5-13UNC-2A 2.75IN	6	
5	903456-02	WASHER, FLAT .5 DIA X.03 THK, SS	12	
6	903458-01	WASHER, UHMW PE, .5IDX.88OD	6	
7	902011-6	WASHER, LOCK 1/2X1/8 ZC	6	
8	901010	NUT, NYLON LOCK 1/2-13 ZC	6	

FLIPOVER ASSEMBLY WITH FIXED RAMP

COMPLETE ASSEMBLY:

**FLIPOVER ASSEMBLY WITH FIXED RAMP**

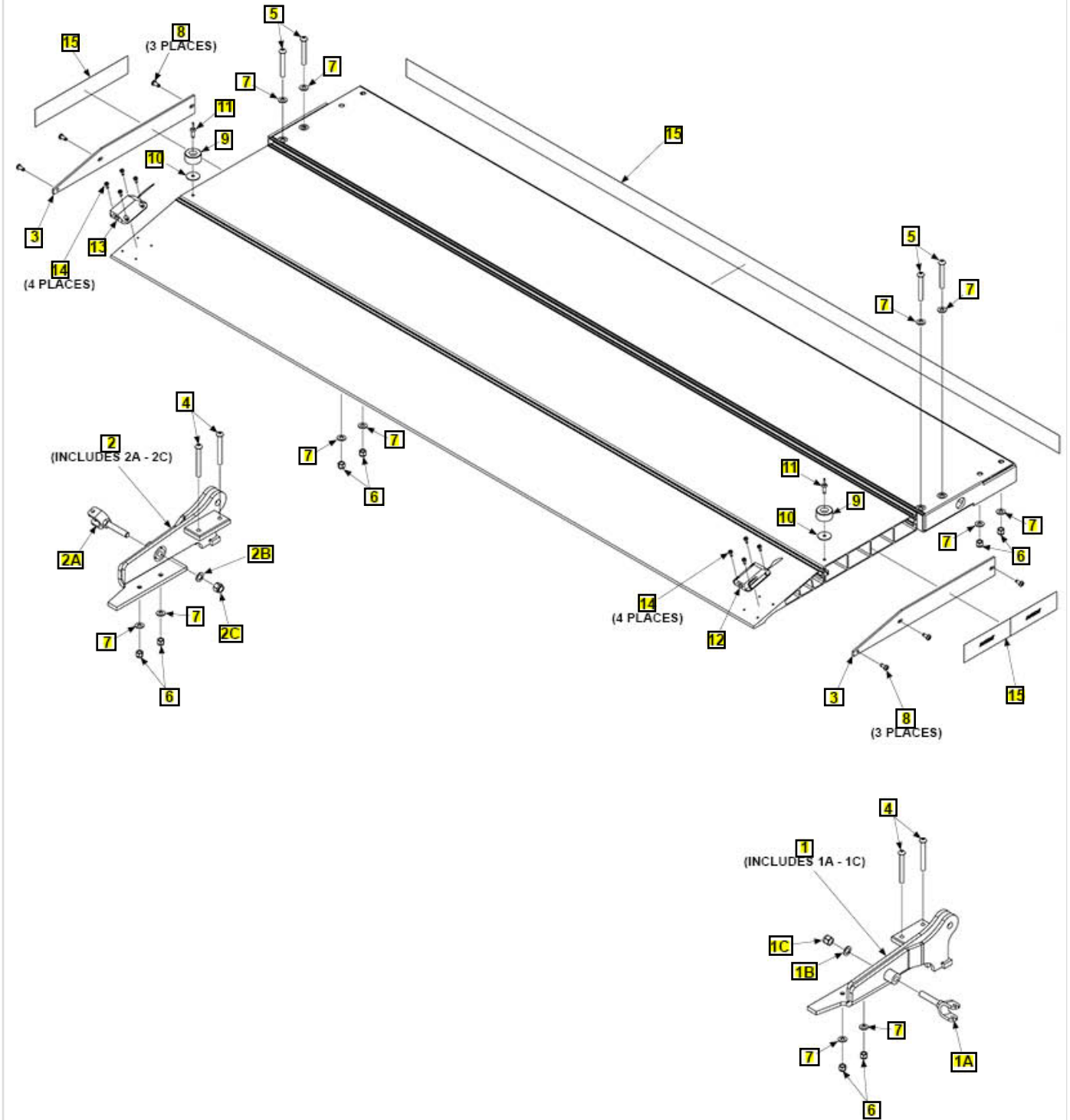
LAST UPDATED  
OCT 2025 to present



Pos	SKU	Description	Qty	Remark
REF	289020-01	F/O ASSY, AL 86 X 24, 9"FX RMP, MAXGRIP	1	
REF	289020-02	F/O ASSY, AL 86 X 26, 9IN FX RMP, MAXGRIP	1	
1	289066-04G	HINGE WLDMT, FLIP OVER, NO TB, RH, GAL	1	
2	289065-01G	HINGE ASSY, FLIP OVER, LH, GAL	1	
2A	289004-02	SLIDER WLDMT, TORSION BAR, 1IN DIA, ZONC	1	
2B	902000-14	WASHER, FLAT .500X.063 THK	1	
2C	901010	NUT, NYLON LOCK 1/2-13 ZC	1	
3	289075-01	SIDE PL, 24" F/O, FXD RAMP	2	
3	289075-02	SIDE PL, 26" F/O, FXD RAMP	2	
4	900064-07	SCREW,BTN SCT CAP.375-16 X3.00	4	
5	900064-12	SCREW,BTN .38-16X2.75	4	
6	901016-4	NUT HEX THN HD LKG.375-16UNC	8	
7	902013-11	WASHER, FLAT 3/8" ZC	12	
8	900705-02	SCR,SELF TAP,.25-20X0.63 PH,ZC	6	
9	905314-05	BUMPER,CYL W/WASHER,1.5 X.75	2	
10	903409-07	WASHER,FEND .28 X1.25 OD,SS	2	
11	903705-05	RIVET,BLD,DOME,AL/ST .25DIA X.98	2	
12	209433-04	LIGHT ASSY,FLASHING,SNGL FLIP, P/F, RH	1	
13	209433-03	LIGHT ASSY,FLASHING,SNGL FLIP, P/F, LH	1	
14	900766-02	SCREW,SELF TAP,10-24X.5 PH,SS	8	
15	908150-01	TAPE, CONSPICUITY, MAXON (UOM ROLL, 150FT PER)	1	

FLIPOVER ASSEMBLY WITH FIXED RAMP

LAST UPDATED  
MAR 2024 to SEPT 2025



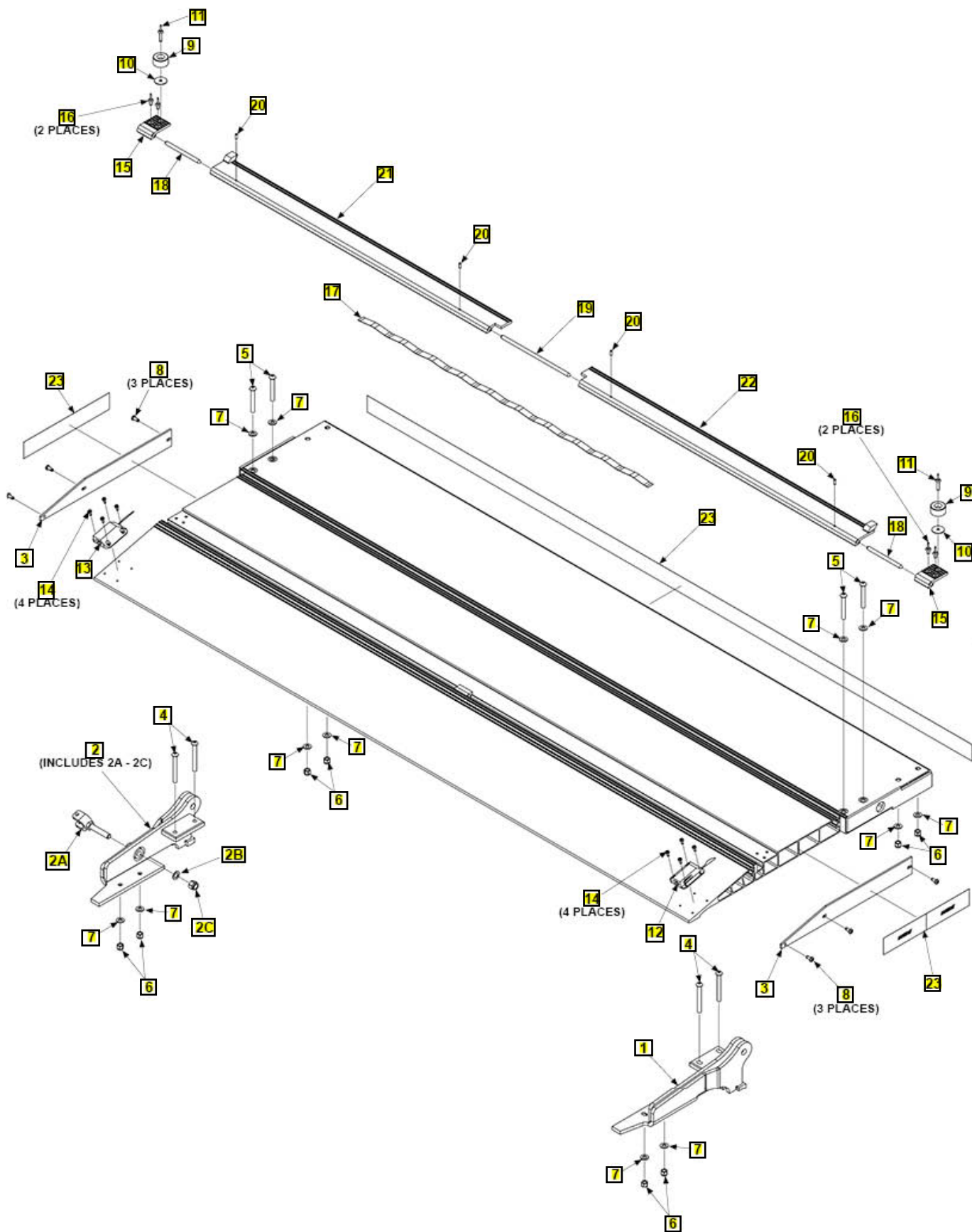
Pos	SKU	Description	Qty	Remark
1	289065-02G	HINGE ASSY, FLIP OVER, RH, GAL	1	
1A	289004-02	SLIDER WLDMT, TORSION BAR, 1IN DIA, ZONC	1	
1B	902000-14	WASHER, FLAT .500X.063 THK	1	
1C	901010	NUT, NYLON LOCK 1/2-13 ZC	1	
2	289065-01G	HINGE ASSY, FLIP OVER, LH, GAL	1	
2A	289004-02	SLIDER WLDMT, TORSION BAR, 1IN DIA, ZONC	1	
2B	902000-14	WASHER, FLAT .500X.063 THK	1	
2C	901010	NUT, NYLON LOCK 1/2-13 ZC	1	
3	289075-01	SIDE PL, 24" F/O, FXD RAMP	2	
3	289075-02	SIDE PL, 26" F/O, FXD RAMP	2	
4	900064-07	SCREW,BTN SCT CAP.375-16 X3.00	4	
5	900064-12	SCREW,BTN .38-16X2.75	4	
6	901016-4	NUT HEX THN HD LKG.375-16UNC	8	
7	902013-11	WASHER, FLAT 3/8" ZC	12	
8	900705-02	SCR,SELF TAP,.25-20X0.63 PH,ZC	6	
9	905314-05	BUMPER,CYL W/WASHER,1.5 X.75	2	
10	903409-07	WASHER,FEND .28 X1.25 OD,SS	2	
11	903705-05	RIVET,BLD,DOME,AL/ST .25DIA X.98	2	
12	209433-04	LIGHT ASSY,FLASHING,SNGL FLIP, P/F, RH	1	
13	209433-03	LIGHT ASSY,FLASHING,SNGL FLIP, P/F, LH	1	
14	900766-02	SCREW,SELF TAP,10-24X.5 PH,SS	8	
15	908150-01	TAPE, CONSPICUITY, MAXON (UOM ROLL, 150FT PER)	1	

FLIPOVER ASSEMBLY WITH FIXED RAMP AND DUAL CART STOPS

COMPLETE ASSEMBLY:

LAST UPDATED  
OCT 2025 to present

**FLIPOVER ASSEMBLY WITH FIXED RAMP WITH CART STOPS**



Pos	SKU	Description	Qty	Remark
REF	289020-21	F/O ASSY, AL 86 X 24, 9IN FX RMP, DCS, MAXGRIP	1	
REF	289020-22	F/O ASSY, AL 86 X 26, 9IN FX RMP, DCS, MAXGRIP	1	
1	289066-04G	HINGE WLDMT, FLIP OVER, NO TB, RH, GAL	1	
2	289065-01G	HINGE ASSY, FLIP OVER, LH, GAL	1	
2A	289004-02	SLIDER WLDMT, TORSION BAR, 1IN DIA, ZONC	1	
2B	902000-14	WASHER, FLAT .500X.063 THK	1	
2C	901010	NUT, NYLON LOCK 1/2-13 ZC	1	
3	289075-01	SIDE PL, 24" F/O, FXD RAMP	2	
3	289075-02	SIDE PL, 26" F/O, FXD RAMP	2	
4	900064-07	SCREW,BTN SCT CAP.375-16 X3.00	4	
5	900064-12	SCREW,BTN .38-16X2.75	4	
6	901016-4	NUT HEX THN HD LKG.375-16UNC	8	
7	902013-11	WASHER, FLAT 3/8" ZC	12	
8	900705-02	SCR,SELF TAP,.25-20X0.63 PH,ZC	6	
9	905314-05	BUMPER,CYL W/WASHER,1.5 X.75	2	
10	903409-07	WASHER,FEND .28 X1.25 OD,SS	2	
11	903705-06	RIVET,BLD,DOME,AL/ST .25 X1.2	2	
12	209433-04	LIGHT ASSY,FLASHING,SNGL FLIP, P/F, RH	1	
13	209433-03	LIGHT ASSY,FLASHING,SNGL FLIP, P/F, LH	1	
14	900766-02	SCREW,SELF TAP,10-24X.5 PH,SS	8	
15	267088-01	LINK, CART STOP	2	
16	903705-02	RIVET,BLD,DOME,AL/ST .25X.6	4	

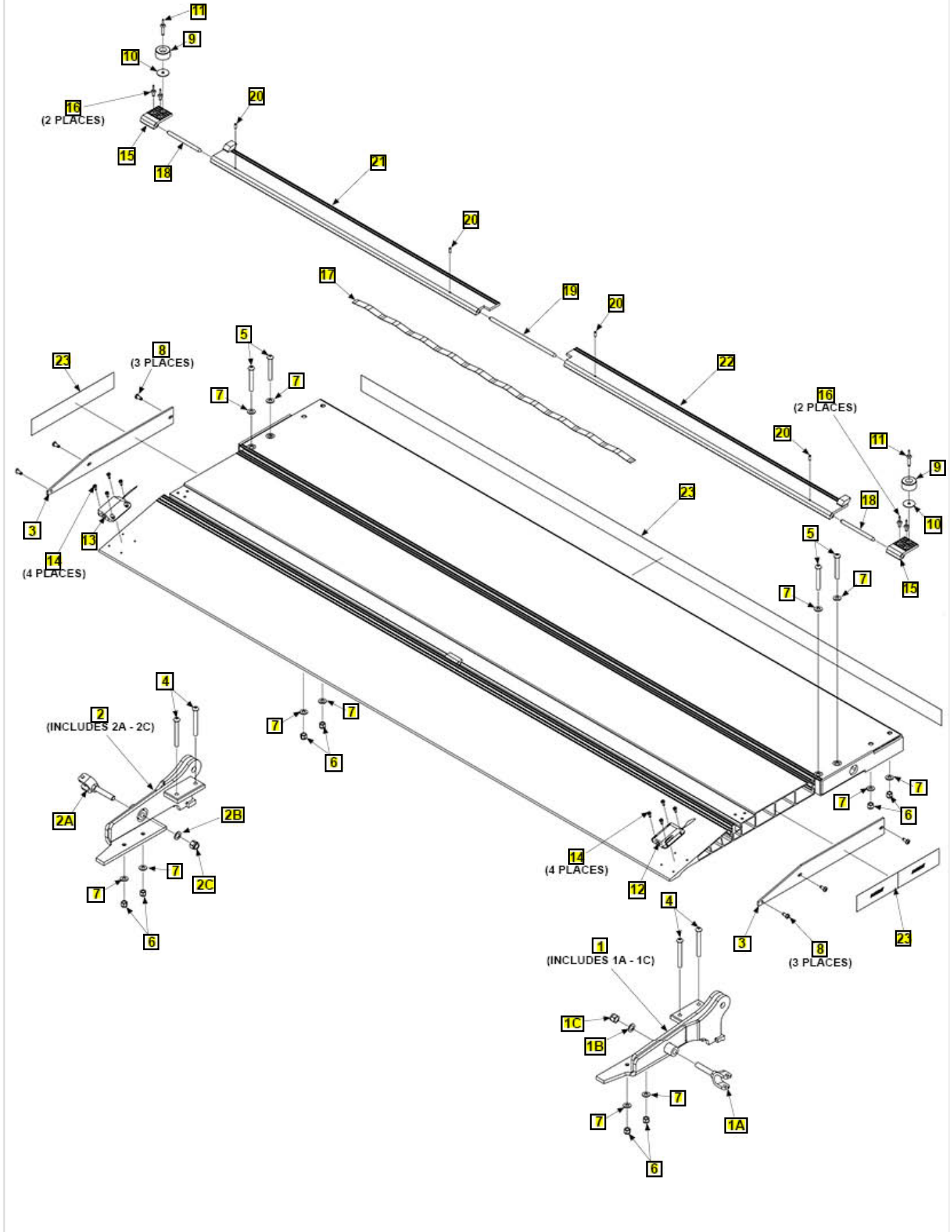
---

Pos	SKU	Description	Qty	Remark
17	267581-02	SPRING,F/OVER C/ST,.75X42"LG	1	
18	267094-03	PIN CART STOP,5"LG	2	
19	267094-04	PIN CART STOP,9.75"LG	1	
20	904719-03	PIN ROLL,.188 X.56LG,SS	4	
21	289079-01	CART STOP WLDMT, 39.5IN, SNGL, LH	1	
22	289079-02	CART STOP WLDMT, 39.5IN, SNGL, RH	1	
23	908150-01	TAPE, CONSPICUITY, MAXON (UOM ROLL, 150FT PER)	1	

---

### FLIPOVER ASSEMBLY WITH FIXED RAMP AND DUAL CART STOPS

LAST UPDATED  
MAR 2024 to SEPT 2025



Pos	SKU	Description	Qty	Remark
1	289065-02G	HINGE ASSY, FLIP OVER, RH, GAL	1	
1A	289004-02	SLIDER WLDMT, TORSION BAR, 1IN DIA, ZONC	1	
1B	902000-14	WASHER, FLAT .500X.063 THK	1	
1C	901010	NUT, NYLON LOCK 1/2-13 ZC	1	
2	289065-01G	HINGE ASSY, FLIP OVER, LH, GAL	1	
2A	289004-02	SLIDER WLDMT, TORSION BAR, 1IN DIA, ZONC	1	
2B	902000-14	WASHER, FLAT .500X.063 THK	1	
2C	901010	NUT, NYLON LOCK 1/2-13 ZC	1	
3	289075-01	SIDE PL, 24" F/O, FXD RAMP	2	
3	289075-02	SIDE PL, 26" F/O, FXD RAMP	2	
4	900064-07	SCREW,BTN SCT CAP.375-16 X3.00	4	
5	900064-12	SCREW,BTN .38-16X2.75	4	
6	901016-4	NUT HEX THN HD LKG.375-16UNC	8	
7	902013-11	WASHER, FLAT 3/8" ZC	12	
8	900705-02	SCR,SELF TAP,.25-20X0.63 PH,ZC	6	
9	905314-05	BUMPER,CYL W/WASHER,1.5 X.75	2	
10	903409-07	WASHER,FEND .28 X1.25 OD,SS	2	
11	903705-06	RIVET,BLD,DOME,AL/ST .25 X1.2	2	
12	209433-04	LIGHT ASSY,FLASHING,SNGL FLIP, P/F, RH	1	
13	209433-03	LIGHT ASSY,FLASHING,SNGL FLIP, P/F, LH	1	
14	900766-02	SCREW,SELF TAP,10-24X.5 PH,SS	8	
15	267088-01	LINK, CART STOP	2	

Pos	SKU	Description	Qty	Remark
16	903705-02	RIVET,BLD,DOME,AL/ST .25X.6	4	
17	267581-02	SPRING,F/OVER C/ST,.75X42"LG	1	
18	267094-03	PIN CART STOP,5"LG	2	
19	267094-04	PIN CART STOP,9.75"LG	1	
20	904719-03	PIN ROLL,.188 X.56LG,SS	4	
21	289079-01	CART STOP WLDMT, 39.5IN, SNGL, LH	1	
22	289079-02	CART STOP WLDMT, 39.5IN, SNGL, RH	1	
23	908150-01	TAPE, CONSPICUITY, MAXON (UOM ROLL, 150FT PER)	1	



Pos	SKU	Description	Qty	Remark
REF	289040-01	F/O ASSY, AL 33 X 85, 12IN ARR, MAXGRIP	1	
REF	289040-02	F/O ASSY, AL 35 X 85, 12IN ARR, MAXGRIP	1	
REF	289040-03	F/O ASSY, AL 43 X 85, 12IN ARR, MAXGRIP	1	
1	289065-02G	HINGE ASSY, FLIP OVER, RH, GAL	1	
1A	289004-02	SLIDER WLDMT, TORSION BAR, 1IN DIA, ZONC	1	
1B	902000-14	WASHER, FLAT .500X.063 THK	1	
1C	901010	NUT, NYLON LOCK 1/2-13 ZC	1	
2	289065-01G	HINGE ASSY, FLIP OVER, LH, GAL	1	
2A	289004-02	SLIDER WLDMT, TORSION BAR, 1IN DIA, ZONC	1	
2B	902000-14	WASHER, FLAT .500X.063 THK	1	
2C	901010	NUT, NYLON LOCK 1/2-13 ZC	1	
3	289042-01	SIDE PLATE, 33" FLIP OVER	2	
3	289042-02	SIDE PLATE, 35" FLIP OVER	2	
3	289042-03	SIDE PLATE, 43" FLIP OVER	2	
4	900065-10	SCREW,SCT HD CAP.375-16 X. 2.5	1	
5	900065-05	SCREW,SCT HD CAP.375-16 X.1.25	1	
6	901002	NUT, NYLON 3/8-16 ZINC	1	
7	902013-11	WASHER, FLAT 3/8" ZC	13	
8	900064-12	SCREW,BTN .38-16X2.75	4	
9	900064-07	SCREW,BTN SCT CAP.375-16 X3.00	4	
10	902028-10	WASHER,FLAT 1.062 OD X .643 ID	1	
11	904719-09	PIN ROLL,.188 X1LG,SS	1	
12	288133-01	PIN-RIVET, SOLID FL/HD, .62 DIA X 2.25	1	

---

Pos	SKU	Description	Qty	Remark
13	900705-02	SCR,SELF TAP,.25-20X0.63 PH,ZC	8	
14	209433-04	LIGHT ASSY,FLASHING,SNGL FLIP, P/F, RH	1	
15	209433-03	LIGHT ASSY,FLASHING,SNGL FLIP, P/F, LH	1	
16	900766-02	SCREW,SELF TAP,10-24X.5 PH,SS	8	
17	908150-01	TAPE, CONSPICUITY, MAXON (UOM ROLL, 150FT PER)	1	
18	901016-4	NUT HEX THN HD LKG.375-16UNC	8	

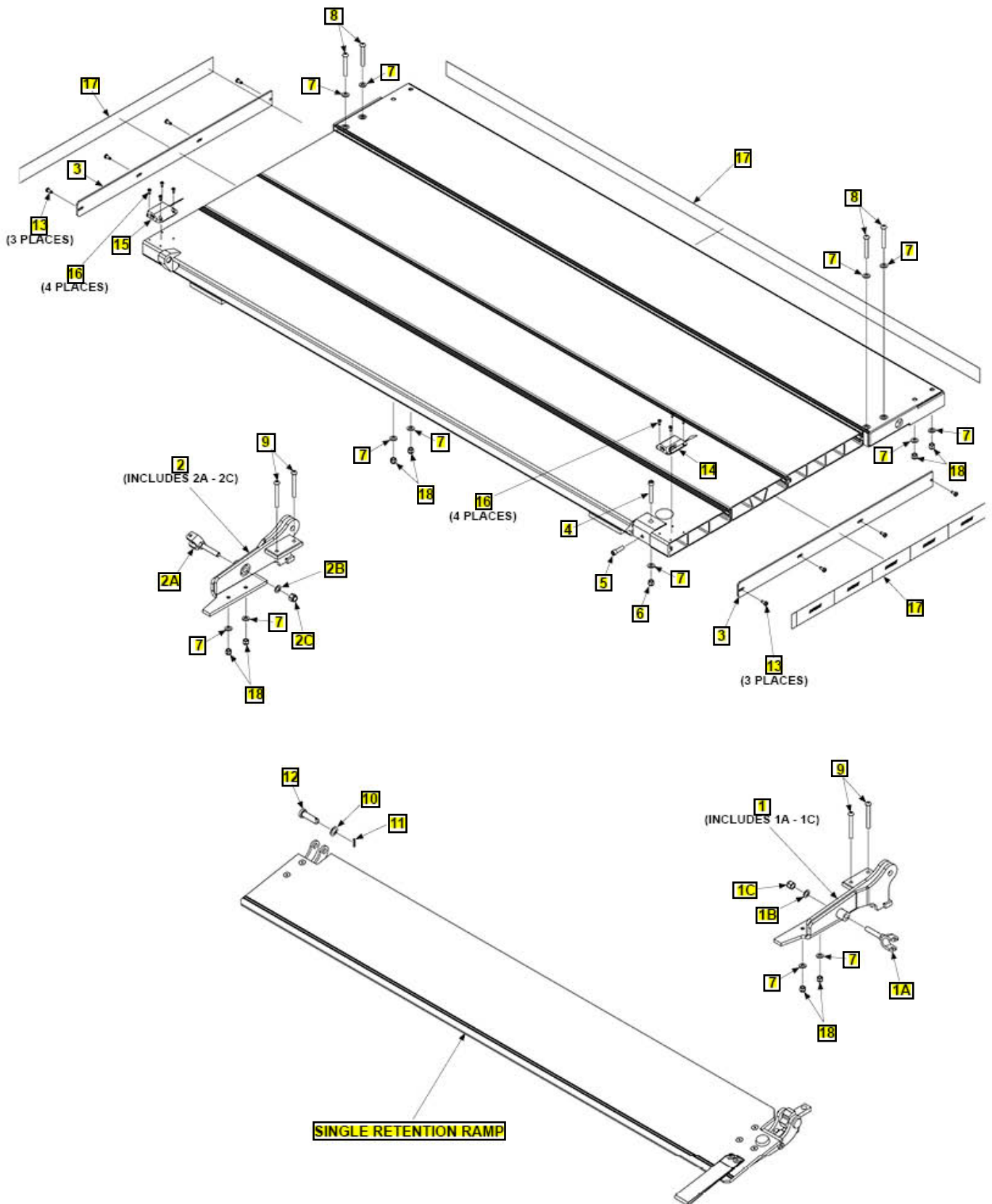
---

**FLIPOVER ASSEMBLY WITH SINGLE RETENTION RAMP  
(FOR PLATFORM WITH RAILINGS)**

LAST UPDATED  
MAR 2024 to present

COMPLETE ASSEMBLY:

**FLIPOVER ASSEMBLY WITH SINGLE RETENTION RAMP  
(FOR PLATFORM WITH RAILINGS)**



Pos	SKU	Description	Qty	Remark
REF	289040-03	F/O ASSY, AL 43 X 85, 12IN ARR, MAXGRIP	1	
1	289065-02G	HINGE ASSY, FLIP OVER, RH, GAL	1	
1A	289004-02	SLIDER WLDMT, TORSION BAR, 1IN DIA, ZONC	1	
1B	902000-14	WASHER, FLAT .500X.063 THK	1	
1C	901010	NUT, NYLON LOCK 1/2-13 ZC	1	
2	289065-01G	HINGE ASSY, FLIP OVER, LH, GAL	1	
2A	289004-02	SLIDER WLDMT, TORSION BAR, 1IN DIA, ZONC	1	
2B	902000-14	WASHER, FLAT .500X.063 THK	1	
2C	901010	NUT, NYLON LOCK 1/2-13 ZC	1	
3	289042-03	SIDE PLATE, 43" FLIP OVER	2	
4	900065-10	SCREW,SCT HD CAP.375-16 X. 2.5	1	
5	900065-05	SCREW,SCT HD CAP.375-16 X.1.25	1	
6	901002	NUT, NYLON 3/8-16 ZINC	1	
7	902013-11	WASHER, FLAT 3/8" ZC	13	
8	900064-12	SCREW,BTN .38-16X2.75	4	
9	900064-07	SCREW,BTN SCT CAP.375-16 X3.00	4	
10	902028-10	WASHER,FLAT 1.062 OD X .643 ID	1	
11	904719-09	PIN ROLL,.188 X1LG,SS	1	
12	288133-01	PIN-RIVET, SOLID FL/HD, .62 DIA X 2.25	1	
13	900705-02	SCR,SELF TAP,.25-20X0.63 PH,ZC	6	
14	209433-04	LIGHT ASSY,FLASHING,SNGL FLIP, P/F, RH	1	
15	209433-03	LIGHT ASSY,FLASHING,SNGL FLIP, P/F, LH	1	

---

Pos	SKU	Description	Qty	Remark
16	900766-02	SCREW,SELF TAP,10-24X.5 PH,SS	8	
17	908150-01	TAPE, CONSPICUITY, MAXON (UOM ROLL, 150FT PER)	1	
18	901016-4	NUT HEX THN HD LKG.375-16UNC	8	

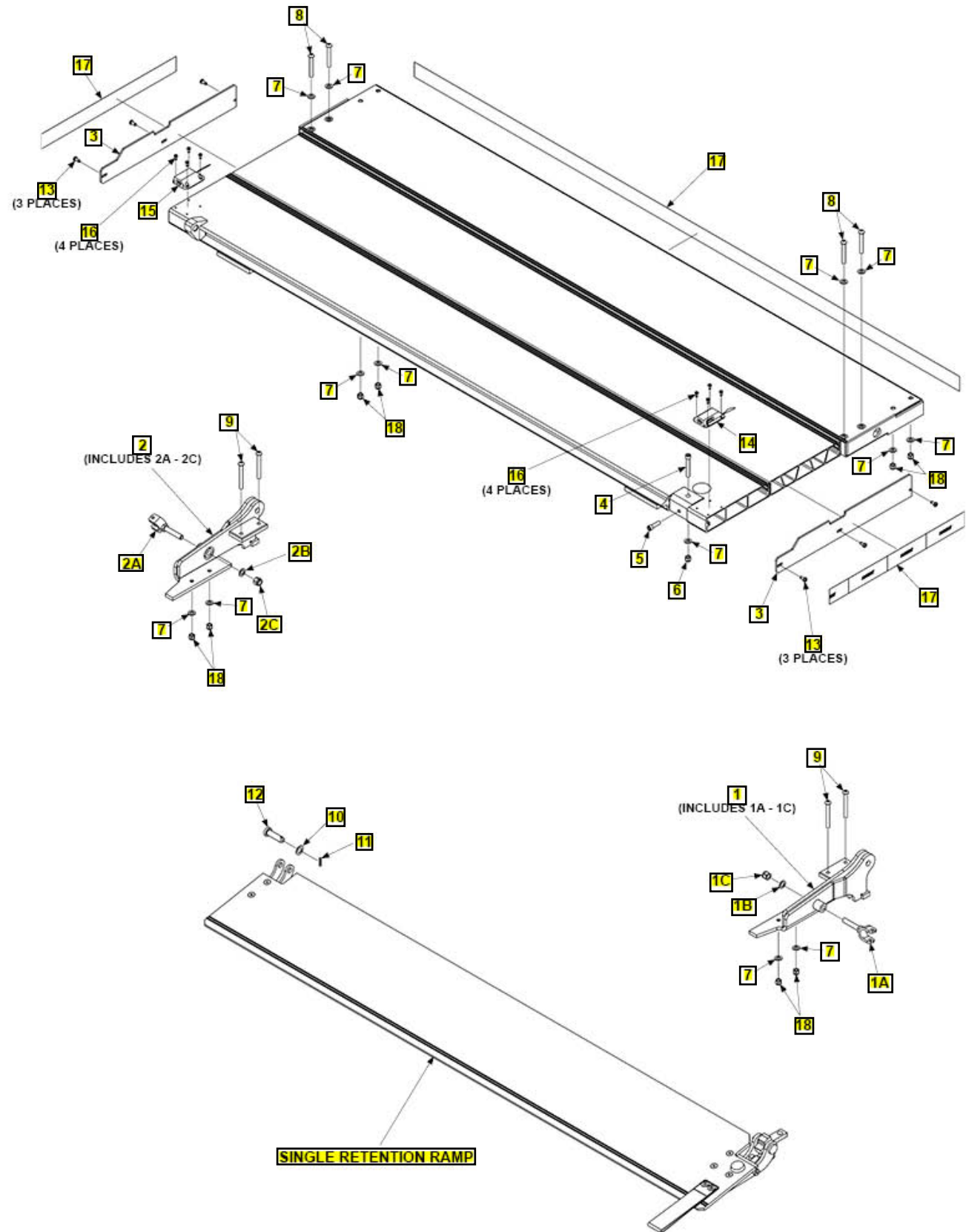
---

### FLIPOVER ASSEMBLY WITH SINGLE RETENTION RAMP (FOR PLATFORM WITH CART STOPS)

LAST UPDATED  
MAR 2024 to present

COMPLETE ASSEMBLY:

**FLIPOVER ASSEMBLY WITH SINGLE RETENTION RAMP  
(FOR PLATFORM WITH CART STOPS)**



Pos	SKU	Description	Qty	Remark
REF	289040-01-100	F/O ASSY, AL 33 X 85, 12IN ARR, 1.0IN HIGH,MAXGRIP	1	
1	289065-02G	HINGE ASSY, FLIP OVER, RH, GAL	1	
1A	289004-02	SLIDER WLDMT, TORSION BAR, 1IN DIA, ZONC	1	
1B	902000-14	WASHER, FLAT .500X.063 THK	1	
1C	901010	NUT, NYLON LOCK 1/2-13 ZC	1	
2	289065-01G	HINGE ASSY, FLIP OVER, LH, GAL	1	
2A	289004-02	SLIDER WLDMT, TORSION BAR, 1IN DIA, ZONC	1	
2B	902000-14	WASHER, FLAT .500X.063 THK	1	
2C	901010	NUT, NYLON LOCK 1/2-13 ZC	1	
3	289042-01-100	SIDE PLATE, 33IN FLIP OVER, 1.0IN HIGH	2	
4	900065-10	SCREW,SCT HD CAP.375-16 X. 2.5	1	
5	900065-05	SCREW,SCT HD CAP.375-16 X.1.25	1	
6	901002	NUT, NYLON 3/8-16 ZINC	1	
7	902013-11	WASHER, FLAT 3/8" ZC	13	
8	900064-12	SCREW,BTN .38-16X2.75	4	
9	900064-07	SCREW,BTN SCT CAP.375-16 X3.00	4	
10	902028-10	WASHER,FLAT 1.062 OD X .643 ID	1	
11	904719-09	PIN ROLL,.188 X1LG,SS	1	
12	288133-01	PIN-RIVET, SOLID FL/HD, .62 DIA X 2.25	1	
13	900705-02	SCR,SELF TAP,.25-20X0.63 PH,ZC	6	
14	209433-04	LIGHT ASSY,FLASHING,SNGL FLIP, P/F, RH	1	
15	209433-03	LIGHT ASSY,FLASHING,SNGL FLIP, P/F, LH	1	

---

Pos	SKU	Description	Qty	Remark
16	900766-02	SCREW,SELF TAP,10-24X.5 PH,SS	8	
17	908150-01	TAPE, CONSPICUITY, MAXON (UOM ROLL, 150FT PER)	1	
18	901016-4	NUT HEX THN HD LKG.375-16UNC	8	

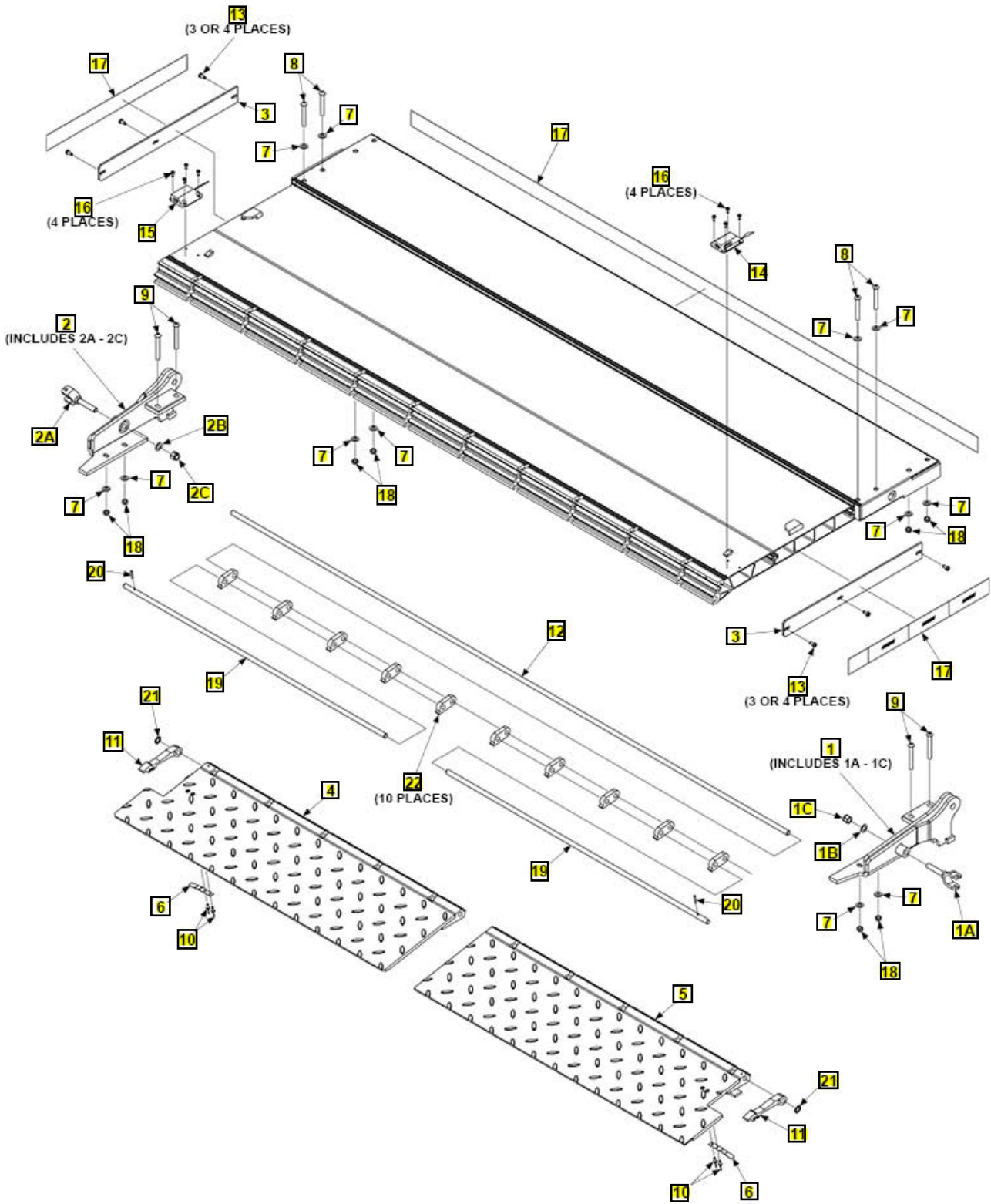
---

### FLIPOVER ASSEMBLY WITH DUAL RETENTION RAMPS

COMPLETE ASSEMBLY:

LAST UPDATED  
OCT 2025 to present

**FLIPOVER ASSEMBLY WITH DUAL RETENTION RAMPS**

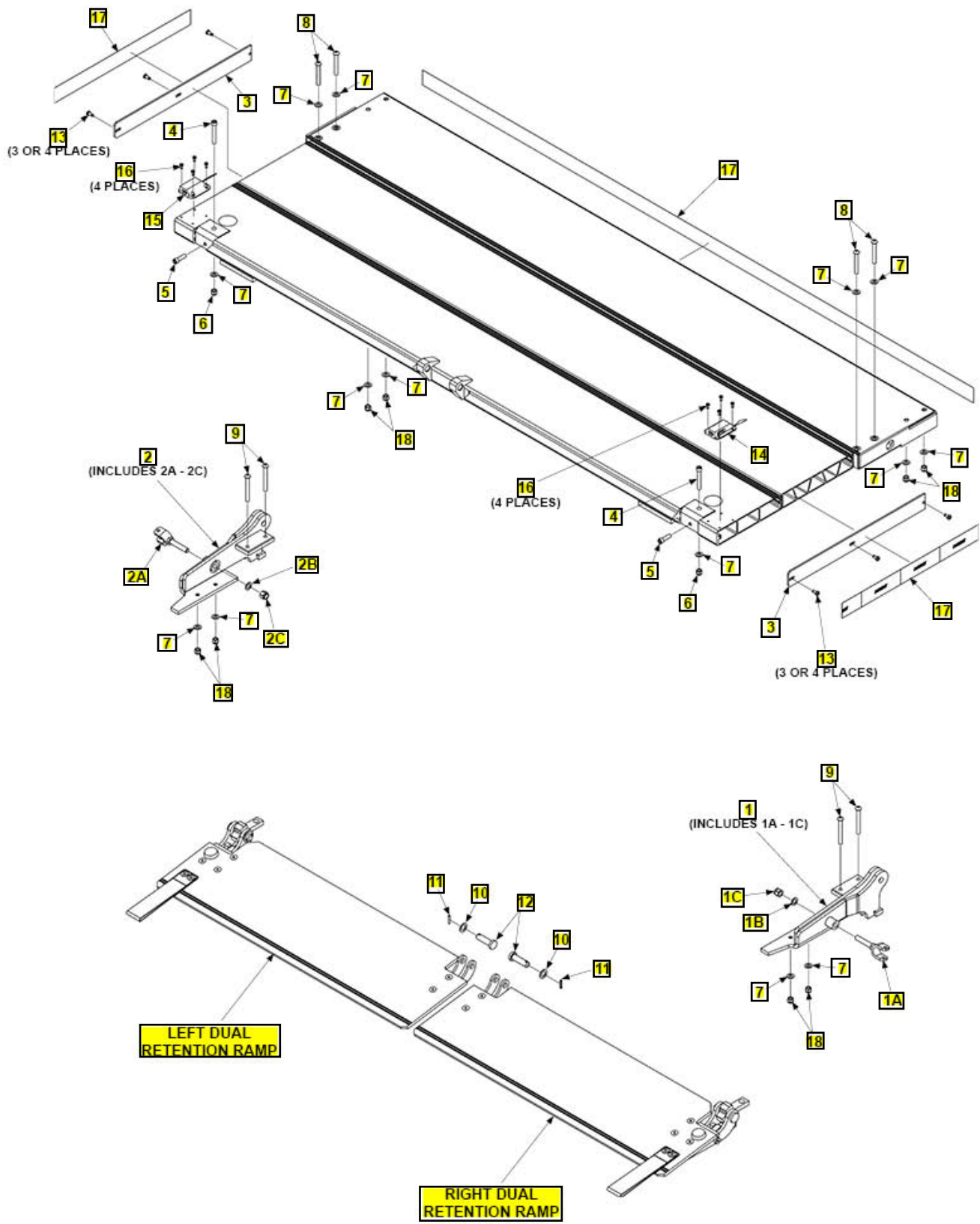


Pos	SKU	Description	Qty	Remark
REF	289008-02	F/O ASSY, AL 33 X 85,12IN DRR, MAXGRIP	1	
REF	289008-03	F/O ASSY, AL 35 X 85,12IN DRR, MAXGRIP	1	
REF	289008-04	F/O ASSY, AL 43 X 85,12IN DRR, MAXGRIP	1	
1	289065-02G	HINGE ASSY, FLIP OVER, RH, GAL	1	
1A	289004-02	SLIDER WLDMT, TORSION BAR, 1IN DIA, ZONC	1	
1B	902000-14	WASHER, FLAT .500X.063 THK	1	
1C	901010	NUT, NYLON LOCK 1/2-13 ZC	1	
2	289065-01G	HINGE ASSY, FLIP OVER, LH, GAL	1	
2A	289004-02	SLIDER WLDMT, TORSION BAR, 1IN DIA, ZONC	1	
2B	902000-14	WASHER, FLAT .500X.063 THK	1	
2C	901010	NUT, NYLON LOCK 1/2-13 ZC	1	
3	289811-02	SIDE PLATE, 33" FLIP OVER	2	
3	289811-03	SIDE PLATE, 35" FLIP OVER	2	
3	289811-04	SIDE PLATE, 43" FLIP OVER	2	
4	289801-01	RET. RAMP WLDMT, DUAL, 40.38 X 12, LH	1	
5	289801-02	RET. RAMP WLDMT, DUAL, 40.38 X 12, RH	1	
6	267326-01	SPRING,HOOK,RETENTION RAMP	2	
7	902013-11	WASHER, FLAT 3/8" ZC	12	
8	900064-12	SCREW,BTN .38-16X2.75	4	
9	900064-07	SCREW,BTN SCT CAP.375-16 X3.00	4	
10	904005-2	RIVET,BLIND SSTL DOME.187X.565	4	
11	311038-11	HOOK, RETENTION RAMP, .75IN	2	

Pos	SKU	Description	Qty	Remark
12	289808-01	ROD, HINGE .50 DIA X 83"LG, 304 SST	1	
13	900705-02	SCR,SELF TAP,.25-20X0.63 PH,ZC	8	
14	209433-04	LIGHT ASSY,FLASHING,SNGL FLIP, P/F, RH	1	
15	209433-03	LIGHT ASSY,FLASHING,SNGL FLIP, P/F, LH	1	
16	900766-02	SCREW,SELF TAP,10-24X.5 PH,SS	8	
17	908150-01	TAPE, CONSPICUITY, MAXON (UOM ROLL, 150FT PER)	1	
18	901016-4	NUT HEX THN HD LKG.375-16UNC	8	
19	267045-22	ROD, HINGE .50 DIA X 39"LG	2	
20	905007-07	PIN ROLL .156 X 1.00 ZINC	2	
21	903420-01	RING, RETAIN,SLF/LCK.50,SS	2	
22	311022-10	HINGE,F/O RAMP,.50LG	10	

### FLIPOVER ASSEMBLY WITH DUAL RETENTION RAMPS

LAST UPDATED  
MAR 2024 to SEPT 2025



Pos	SKU	Description	Qty	Remark
1	289065-02G	HINGE ASSY, FLIP OVER, RH, GAL	1	
1A	289004-02	SLIDER WLDMT, TORSION BAR, 1IN DIA, ZONC	1	
1B	902000-14	WASHER, FLAT .500X.063 THK	1	
1C	901010	NUT, NYLON LOCK 1/2-13 ZC	1	
2	289065-01G	HINGE ASSY, FLIP OVER, LH, GAL	1	
2A	289004-02	SLIDER WLDMT, TORSION BAR, 1IN DIA, ZONC	1	
2B	902000-14	WASHER, FLAT .500X.063 THK	1	
2C	901010	NUT, NYLON LOCK 1/2-13 ZC	1	
3	289042-01	SIDE PLATE, 33" FLIP OVER	2	
3	289042-02	SIDE PLATE, 35" FLIP OVER	2	
3	289042-03	SIDE PLATE, 43" FLIP OVER	2	
4	900065-10	SCREW,SCT HD CAP.375-16 X. 2.5	2	
5	900065-05	SCREW,SCT HD CAP.375-16 X.1.25	2	
6	901002	NUT, NYLON 3/8-16 ZINC	2	
7	902013-11	WASHER, FLAT 3/8" ZC	14	
8	900064-12	SCREW,BTN .38-16X2.75	4	
9	900064-07	SCREW,BTN SCT CAP.375-16 X3.00	4	
10	902028-10	WASHER,FLAT 1.062 OD X .643 ID	2	
11	904719-09	PIN ROLL,.188 X1LG,SS	2	
12	288133-01	PIN-RIVET, SOLID FL/HD, .62 DIA X 2.25	2	
13	900705-02	SCR,SELF TAP,.25-20X0.63 PH,ZC	8	
14	209433-04	LIGHT ASSY,FLASHING,SNGL FLIP, P/F, RH	1	
15	209433-03	LIGHT ASSY,FLASHING,SNGL FLIP, P/F, LH	1	

---

Pos	SKU	Description	Qty	Remark
16	900766-02	SCREW,SELF TAP,10-24X.5 PH,SS	8	
17	908150-01	TAPE, CONSPICUITY, MAXON (UOM ROLL, 150FT PER)	1	
18	901016-4	NUT HEX THN HD LKG.375-16UNC	8	

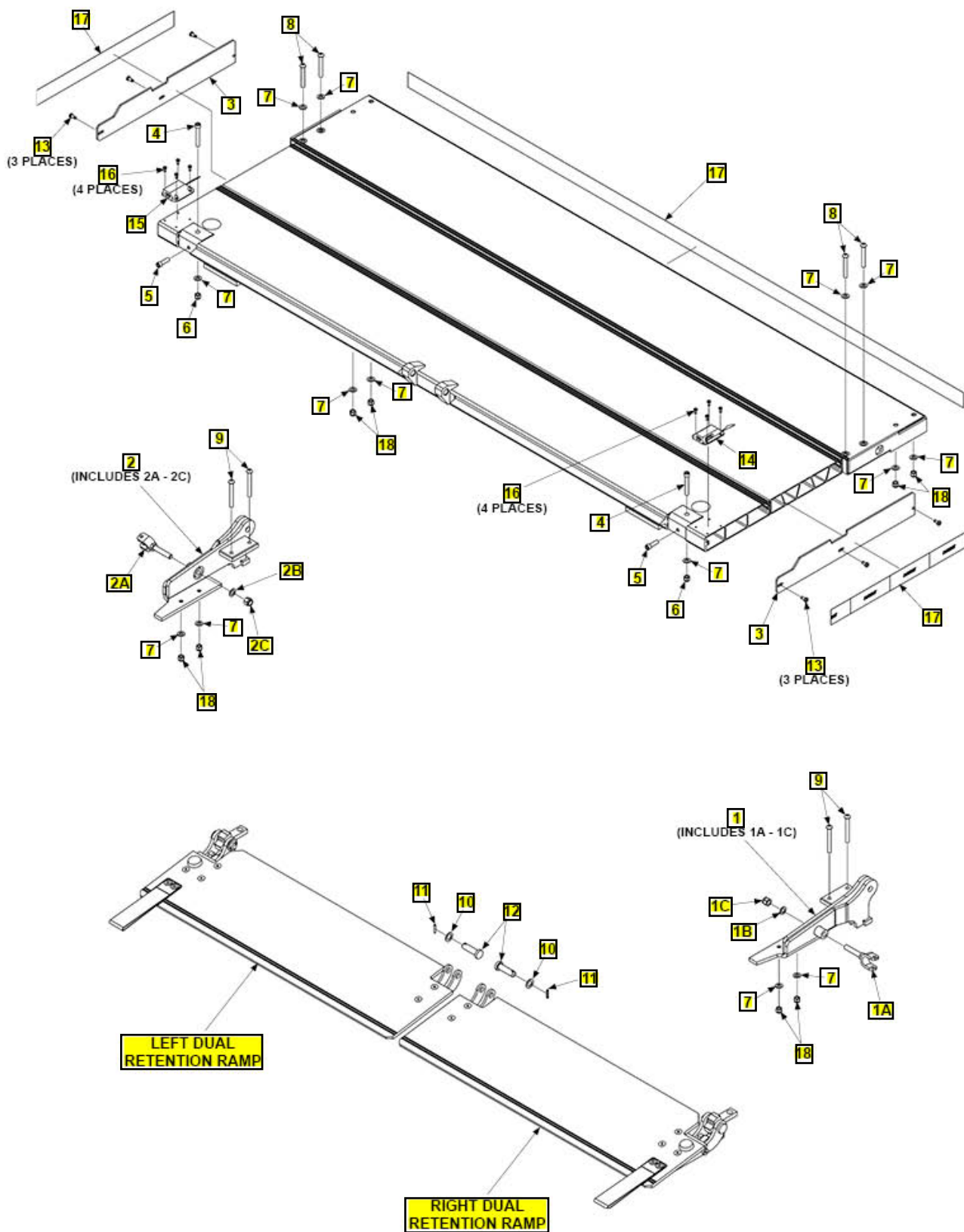
---

**FLIPOVER ASSEMBLY WITH DUAL RETENTION RAMPS  
(FOR PLATFORM WITH CART STOPS)**

LAST UPDATED  
MAR 2024 to present

COMPLETE ASSEMBLY:

**FLIPOVER ASSEMBLY WITH DUAL RETENTION RAMPS  
(FOR PLATFORM WITH CART STOPS)**



Pos	SKU	Description	Qty	Remark
REF	289008-02-100	F/O ASSY, AL 33 X 85,12IN DRR, 1.0IN HIGH, MAXGRIP	1	
1	289065-02G	HINGE ASSY, FLIP OVER, RH, GAL	1	
1A	289004-02	SLIDER WLDMT, TORSION BAR, 1IN DIA, ZONC	1	
1B	902000-14	WASHER, FLAT .500X.063 THK	1	
1C	901010	NUT, NYLON LOCK 1/2-13 ZC	1	
2	289065-01G	HINGE ASSY, FLIP OVER, LH, GAL	1	
2A	289004-02	SLIDER WLDMT, TORSION BAR, 1IN DIA, ZONC	1	
2B	902000-14	WASHER, FLAT .500X.063 THK	1	
2C	901010	NUT, NYLON LOCK 1/2-13 ZC	1	
3	289042-01-100	SIDE PLATE, 33IN FLIP OVER, 1.0IN HIGH	2	
4	900065-10	SCREW,SCT HD CAP.375-16 X. 2.5	2	
5	900065-05	SCREW,SCT HD CAP.375-16 X.1.25	2	
6	901002	NUT, NYLON 3/8-16 ZINC	2	
7	902013-11	WASHER, FLAT 3/8" ZC	14	
8	900064-12	SCREW,BTN .38-16X2.75	4	
9	900064-07	SCREW,BTN SCT CAP.375-16 X3.00	4	
10	902028-10	WASHER,FLAT 1.062 OD X .643 ID	2	
11	904719-09	PIN ROLL,.188 X1LG,SS	2	
12	288133-01	PIN-RIVET, SOLID FL/HD, .62 DIA X 2.25	2	
13	900705-02	SCR,SELF TAP,.25-20X0.63 PH,ZC	6	
14	209433-04	LIGHT ASSY,FLASHING,SNGL FLIP, P/F, RH	1	
15	209433-03	LIGHT ASSY,FLASHING,SNGL FLIP, P/F, LH	1	

---

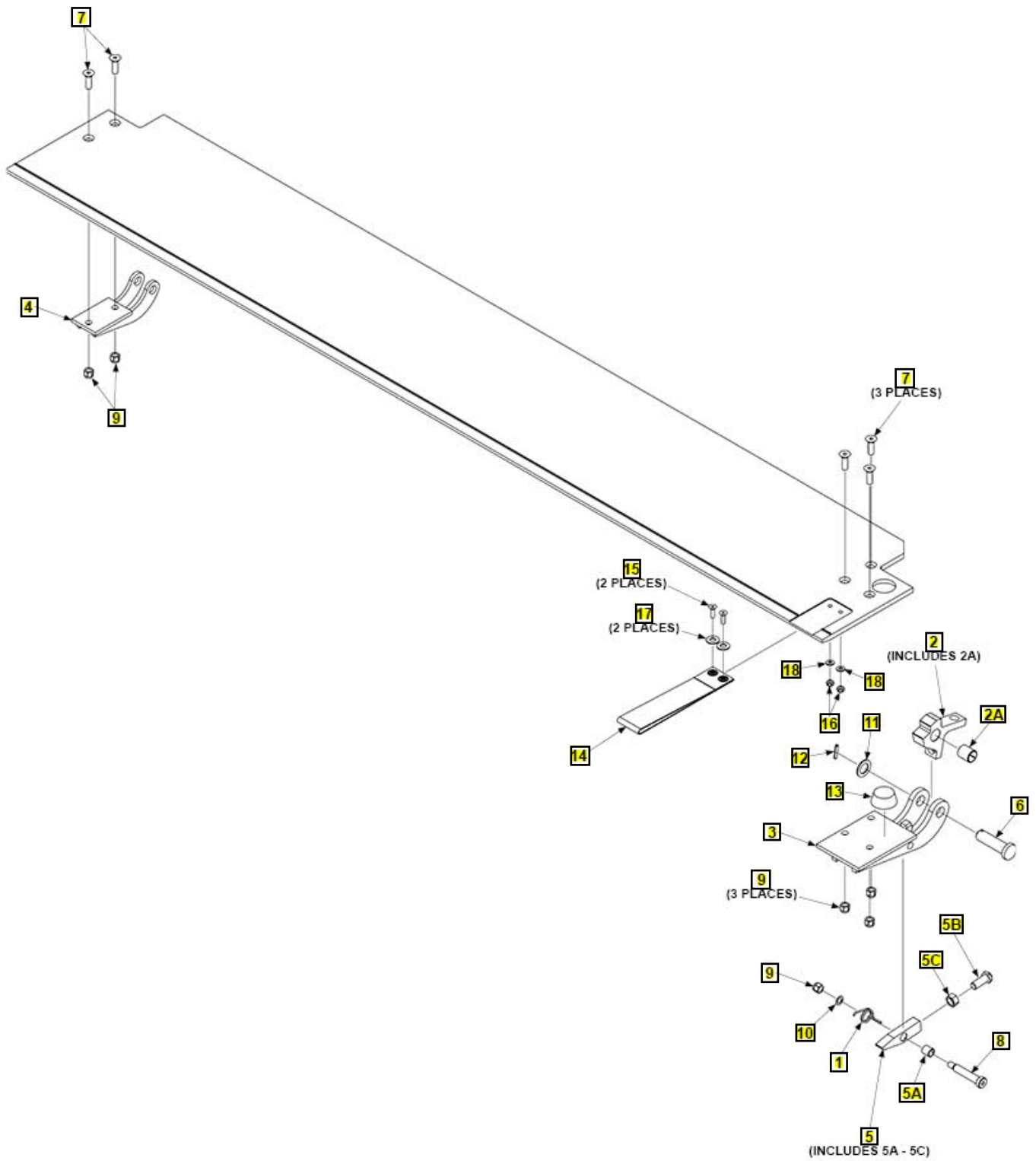
Pos	SKU	Description	Qty	Remark
16	900766-02	SCREW,SELF TAP,10-24X.5 PH,SS	8	
17	908150-01	TAPE, CONSPICUITY, MAXON (UOM ROLL, 150FT PER)	1	
18	901016-4	NUT HEX THN HD LKG.375-16UNC	8	

---

### SINGLE RETENTION RAMP

COMPLETE ASSEMBLY:  
**SINGLE RETENTION RAMP**

LAST UPDATED  
MAR 2024 to present



Pos	SKU	Description	Qty	Remark
REF	289045-01	RAMP ASSY, RETENTION, SNGL, 77.5LG	1	
1	288132-01	TORSION SPRING, ARR LATCH	1	
2	288135-01	LATCH ASSY, AL RET RAMP	1	
2A	260917-06	BEARING SELFLUBE 3/4X1(260747)	1	
3	288140-01	ARM WLDMT, ARR, LH	1	
4	288145-01	ARM WLDMT, ARR, LH	1	
5	288150-01	ARM ASSY, ARR LOCKING	1	
5A	905121-02	BEARING, SELF LUBE 1/2X5/8	1	
5B	288244-01	SCREW, CAP .5-20X1.25 ZC	1	
5C	901011-10	NUT, HEX HEAD .500-20 UNF-2B	1	
6	288245-01	PIN-RIVET, SLD FL/HD, .75 DIA X 2.75	1	
7	900061-5	SCR FLH SOC .375-16 1.25LG SST	5	
8	900048-10	SCREW, SHOULDER 1/2X3/8-16,2.25L	1	
9	901002	NUT, NYLON 3/8-16 ZINC	6	
10	902000-9	WASHER, FLAT.375X.032 THK	1	
11	902028-12	WASHER,FLAT 1.250 OD X .757 ID	1	
12	904719-09	PIN ROLL,.188 X1LG,SS	1	
13	905380-01	BUMPER, CONICAL, 1.75 DIA X.75	1	
14	908122-01	HANDLE, NYL STRAP 2"W W/GROMS 7"LG	1	
15	900711-04	SCREW, SOC FL .25-20X.88 SS	2	
16	903132-01	NUT, NYL INSRT, THN .25-20, SS	2	
17	903409-03	WASHER,FEND .41 X.88OD,SS	2	
18	903412-01	WASHER,FLAT .25,SS	2	

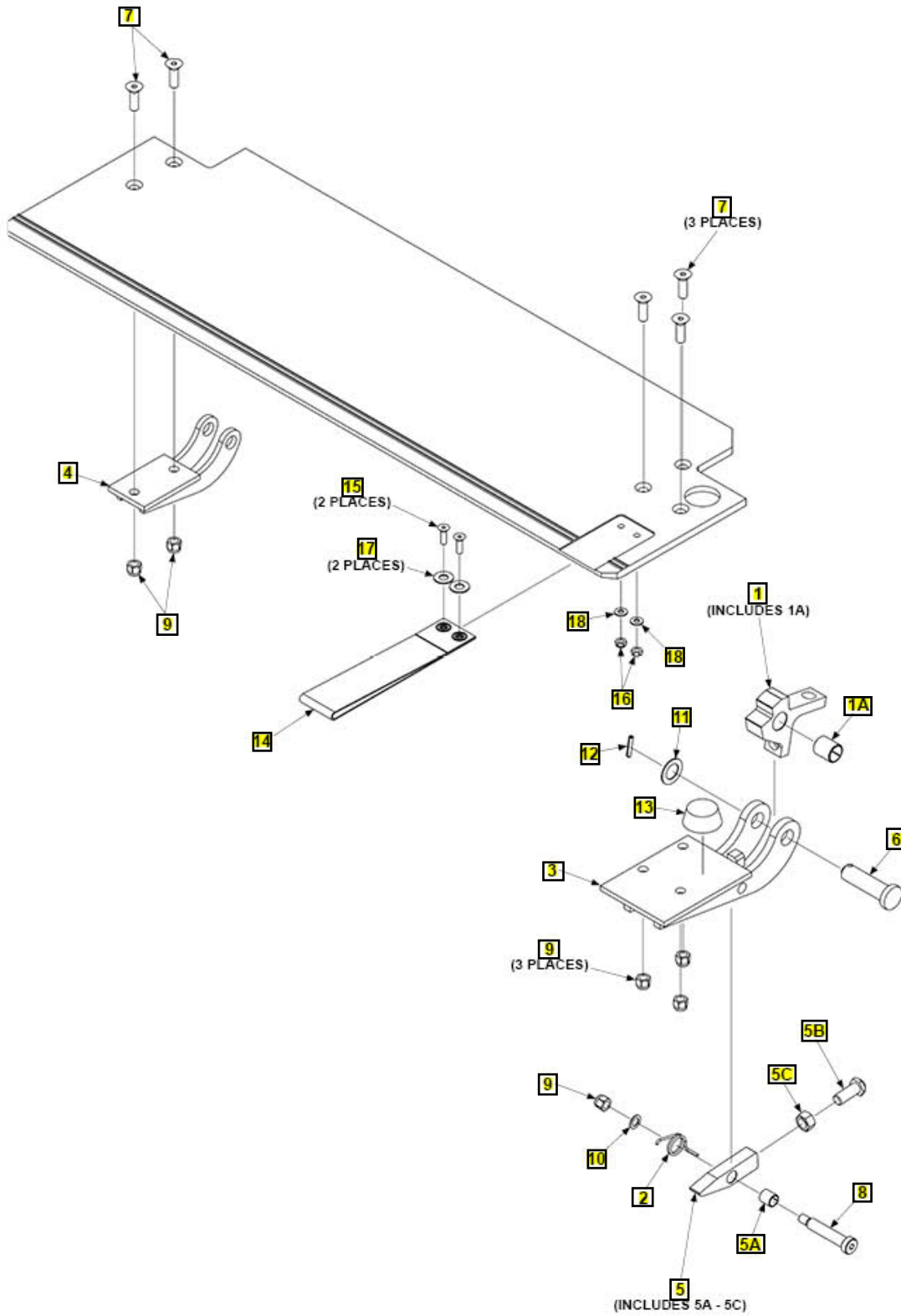


### RIGHT DUAL RETENTION RAMP

COMPLETE ASSEMBLY:

**RIGHT DUAL RETENTION RAMP**

LAST UPDATED  
MAR 2024 to present



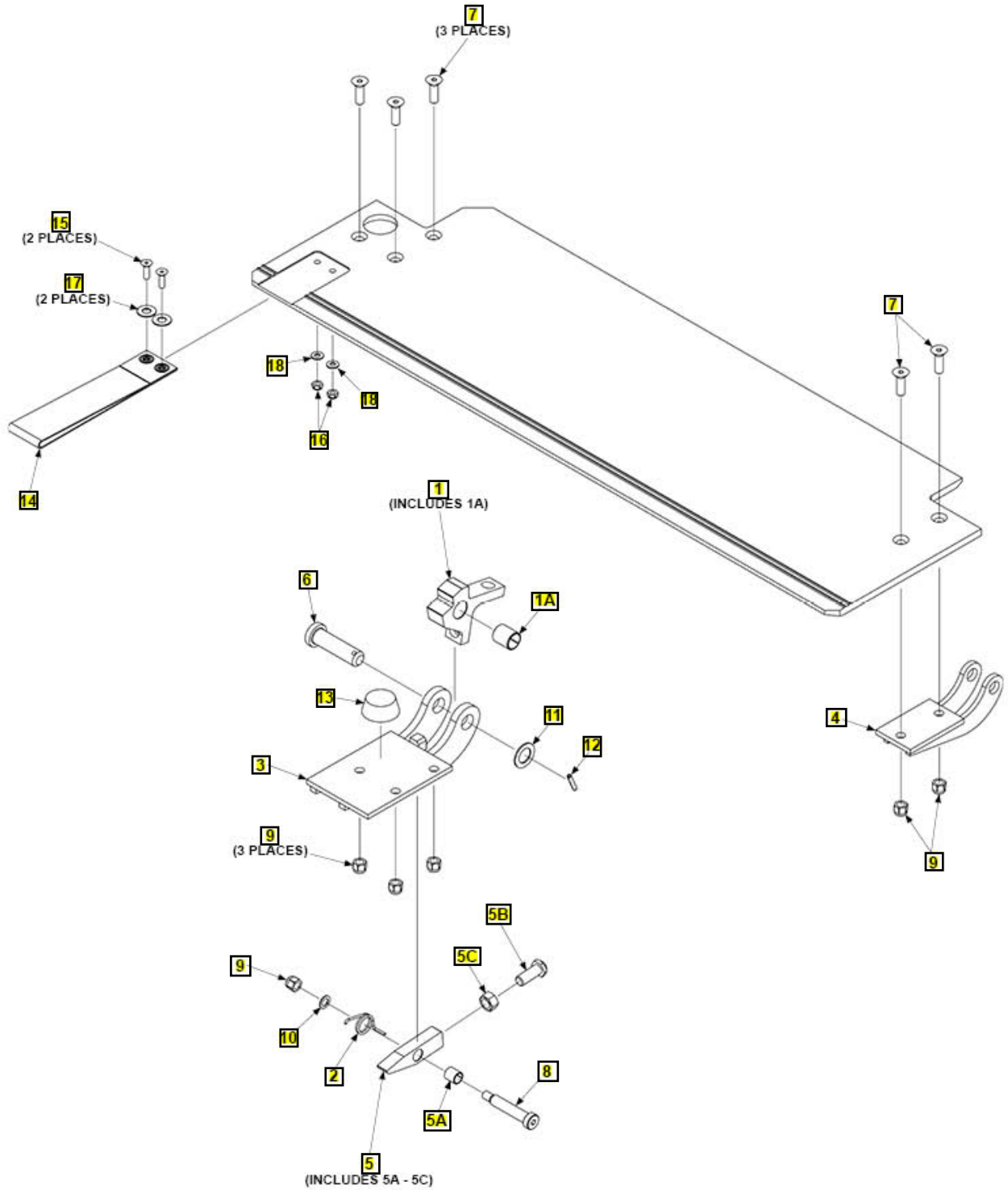
Pos	SKU	Description	Qty	Remark
REF	288995-01	RAMP ASSY, RETENTION, DUAL, RH, 38.38LG	1	
1	288135-01	LATCH ASSY, AL RET RAMP	1	
1A	260917-06	BEARING SELFLUBE 3/4X1(260747)	1	
2	288132-01	TORSION SPRING, ARR LATCH	1	
3	288140-01	ARM WLDMT, ARR, LH	1	
4	288145-01	ARM WLDMT, ARR, LH	1	
5	288150-01	ARM ASSY, ARR LOCKING	1	
5A	905121-02	BEARING, SELF LUBE 1/2X5/8	1	
5B	288244-01	SCREW, CAP .5-20X1.25 ZC	1	
5C	901011-10	NUT, HEX HEAD .500-20 UNF-2B	1	
6	288245-01	PIN-RIVET, SLD FL/HD, .75 DIA X 2.75	1	
7	900061-5	SCR FLH SOC .375-16 1.25LG SST	5	
8	900048-10	SCREW, SHOULDER 1/2X3/8-16,2.25L	1	
9	901002	NUT, NYLON 3/8-16 ZINC	6	
10	902000-9	WASHER, FLAT.375X.032 THK	1	
11	902028-12	WASHER,FLAT 1.250 OD X .757 ID	1	
12	904719-09	PIN ROLL,.188 X1LG,SS	1	
13	905380-01	BUMPER, CONICAL, 1.75 DIA X.75	1	
14	908122-01	HANDLE, NYL STRAP 2"W W/GROMS 7"LG	1	
15	900711-04	SCREW, SOC FL .25-20X.88 SS	2	
16	903132-01	NUT, NYL INSRT, THN .25-20, SS	2	
17	903409-03	WASHER,FEND .41 X.88OD,SS	2	
18	903412-01	WASHER,FLAT .25,SS	2	



### LEFT DUAL RETENTION RAMP

COMPLETE ASSEMBLY:  
**LEFT DUAL RETENTION RAMP**

LAST UPDATED  
MAR 2024 to present



Pos	SKU	Description	Qty	Remark
REF	288995-02	RAMP ASSY, RETENTION, DUAL, LH, 38.38LG	1	
1	288135-01	LATCH ASSY, AL RET RAMP	1	
1A	260917-06	BEARING SELFLUBE 3/4X1(260747)	1	
2	288132-01	TORSION SPRING, ARR LATCH	1	
3	288140-02	ARM WLDMT, ARR, RH	1	
4	288145-01	ARM WLDMT, ARR, LH	1	
5	288150-01	ARM ASSY, ARR LOCKING	1	
5A	905121-02	BEARING, SELF LUBE 1/2X5/8	1	
5B	288244-01	SCREW, CAP .5-20X1.25 ZC	1	
5C	901011-10	NUT, HEX HEAD .500-20 UNF-2B	1	
6	288245-01	PIN-RIVET, SLD FL/HD, .75 DIA X 2.75	1	
7	900061-5	SCR FLH SOC .375-16 1.25LG SST	5	
8	900048-10	SCREW, SHOULDER 1/2X3/8-16,2.25L	1	
9	901002	NUT, NYLON 3/8-16 ZINC	6	
10	902000-9	WASHER, FLAT.375X.032 THK	1	
11	902028-12	WASHER,FLAT 1.250 OD X .757 ID	1	
12	904719-09	PIN ROLL,.188 X1LG,SS	1	
13	905380-01	BUMPER, CONICAL, 1.75 DIA X.75	1	
14	908122-01	HANDLE, NYL STRAP 2"W W/GROMS 7"LG	1	
15	900711-04	SCREW, SOC FL .25-20X.88 SS	2	
16	903132-01	NUT, NYL INSRT, THN .25-20, SS	2	
17	903409-03	WASHER,FEND .41 X.88OD,SS	2	
18	903412-01	WASHER,FLAT .25,SS	2	



# GPSLR/GPSLRT HYDRAULIC SYSTEMS

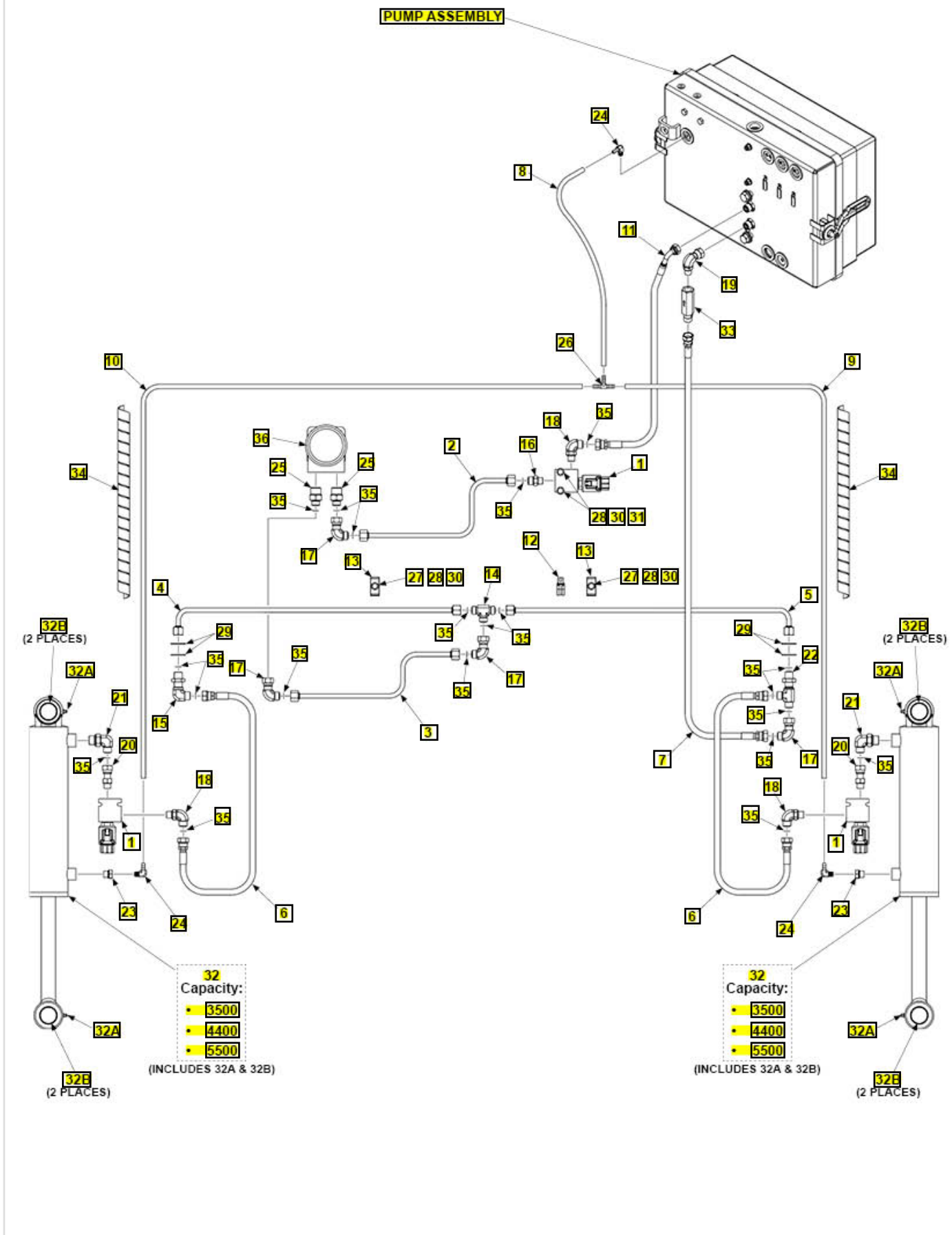
Hydraulic Systems - Gravity Down

Hydraulic Systems - Power Down

Pos	SKU	Description	Qty	Remark
-----	-----	-------------	-----	--------

HYDRAULIC SYSTEMS - GRAVITY DOWN

LAST UPDATED  
MAR 2024 to present



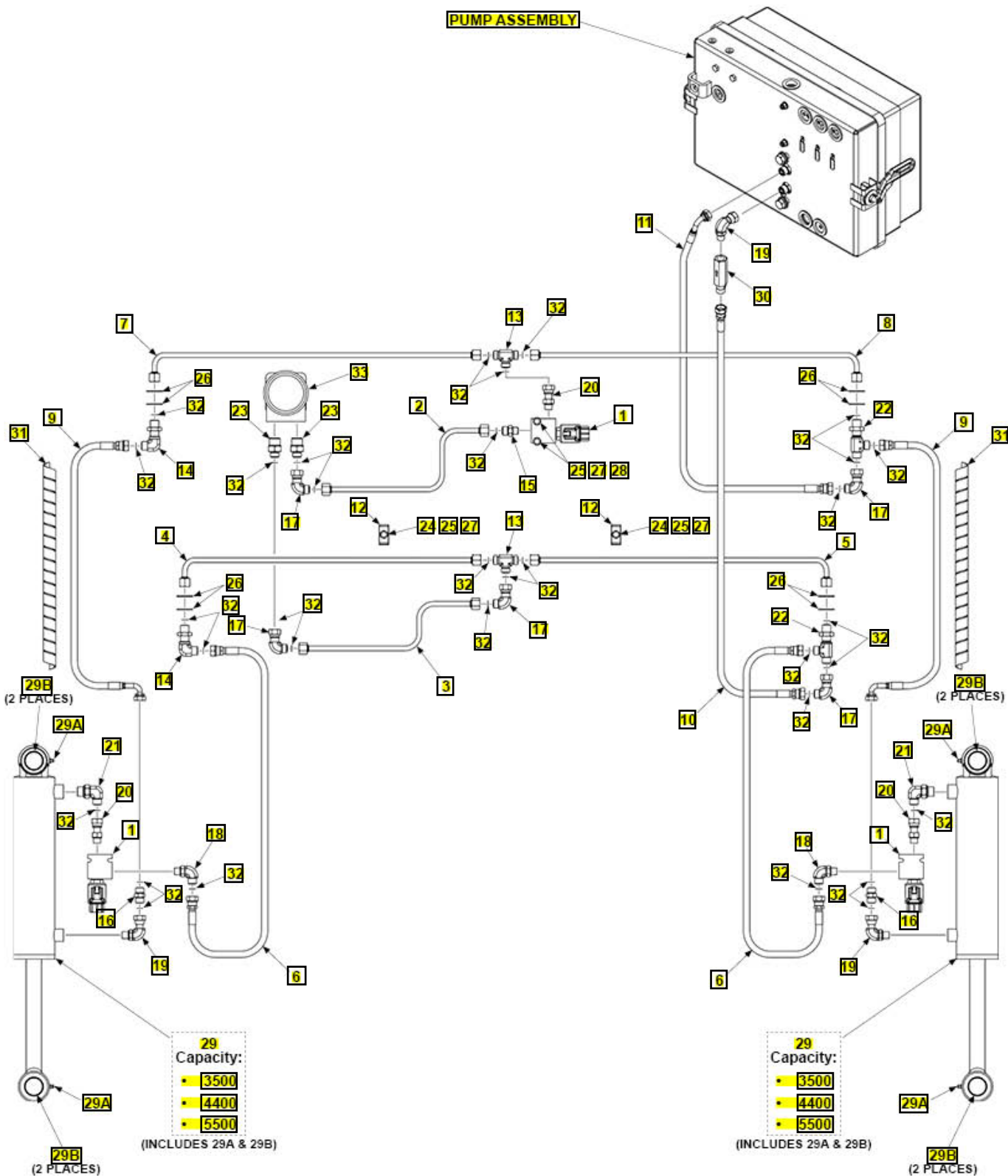
Pos	SKU	Description	Qty	Remark
1	289099-02	LOCK VALVE ASSY, 12V, BI-DIRECTIONAL	3	
1	289099-04	LOCK VALVE ASSY, 24V, BI-DIRECTIONAL	3	
2	289126-02	F/S TUBE ASSY, HYD. MOTOR, SIDE PUMP	1	
3	289126-01	F/S TUBE ASSY, HYD. MOTOR, SIDE PUMP	1	
4	289136-01	F/S,TUBE ASSY,SIDE MNT PMP,UP LINE,LH	1	
5	289136-02	F/S,TUBE ASSY,SIDE MNT PMP,UP LINE,RH	1	
6	289123-01	HOSE ASSY,1/4 HP, SAE #6 F, SW STR	2	
7	289123-02	HOSE ASSY,1/4 HP, SAE #6 F, SW STR,PMP	1	
8	099995-14	TUBING, PVC, 3/8ODX1 /4IDX14"LG	1	
9	099995-42	TUBING, PVC, 3/8ODX1 /4IDX42"LG	1	
10	099995-87	TUBING, PVC, 3/8ODX1 /4IDX87"LG	1	
11	289125-01	HOSE ASSY,1/4HP, SAE#6 F,SW 90 DEGREE	1	
12	214675	CLAMP, #12 RUBBER LOOM	1	
13	905071-01	DOUBLE-LINE PLASTIC CLAMP, .38 DIA	2	
14	905150	TEE, UNION 3/8 F.S. MALE,6-JLO	1	
15	905162	ELBOW BULKHEAD UNION F/S #6	1	
16	905173	CONNECTOR F/S#6&O-R#6, M-M	1	
17	906800-01	ELBOW, SW NUT, ORFS M/F, #6	4	
18	906707-01	ELBOW, NPSC,SAE #6 F/S O-R M-M	3	
19	906708-01	ELBOW, NPSC,SAE #6 O-R M-F SW	1	

Pos	SKU	Description	Qty	Remark
20	906751-01	FITTING SAE#6M/SW F STR O-RING	2	
21	906924-01	ELBOW, STR THD, #6 ORFS/#8 SAE-ORB	2	
22	906748-01	BULKHEAD RUN TEE,SAE#6 F/S,M	1	
23	906925-02	PIPE ADAPTER, SAE-ORB/NPTF,6-1/8	2	
24	906975-01	ELBOW, BARBED, BRASS,1/4 ID, 1/8 NPTF MALE	3	
25	906968-01	CONNECTOR, STR, M-M ORFS#6/ORB#10	2	
26	906977-01	TEE, BARBED, BRASS, 1/4 HOSE ID, MALE	1	
27	900004-6	SCREW, CAP 1/4-20X1-1/2 GR8 ZC	2	
28	902013-09	WASHER1/4"ZINC- SAME030564	8	
29	902028-12	WASHER,FLAT 1.250 OD X .757 ID	4	
30	901000	NUT, NYLON 1/4-20 ZINC	4	
31	900004-8	SCREW, CAP 1/4-20X2 GR8 ZC	2	
32-1	297522-01	CYL DIA 3.00 BORE X 10ST. S/LB/BUSH	2	
32-2	297523-01	CYL DIA 3.5 BORE X 10ST,S/LB/BUSH	2	
32A	224342	FITTING, GREASE 1/4"SELF DRILL	2	
32B	905112-03	BEARING, SELF LUBE 1-3/8X1-3/8	4	
33	288518-03	VALVE,3GPM,SAE#6 M/F,PRESSURE COMP	1	
34	907378-11	SPIRAL BUNDLING WRAP, .75DIA OD X 20IN LG	2	
35	906712-02	O-RING #6, 3/8 ORFS TUBE END	20	
36	288226-01	MOTOR, HYD, 9.4 DISPL	1	

HYDRAULIC SYSTEMS - POWER DOWN

LAST UPDATED  
MAR 2024 to present

PUMP ASSEMBLY



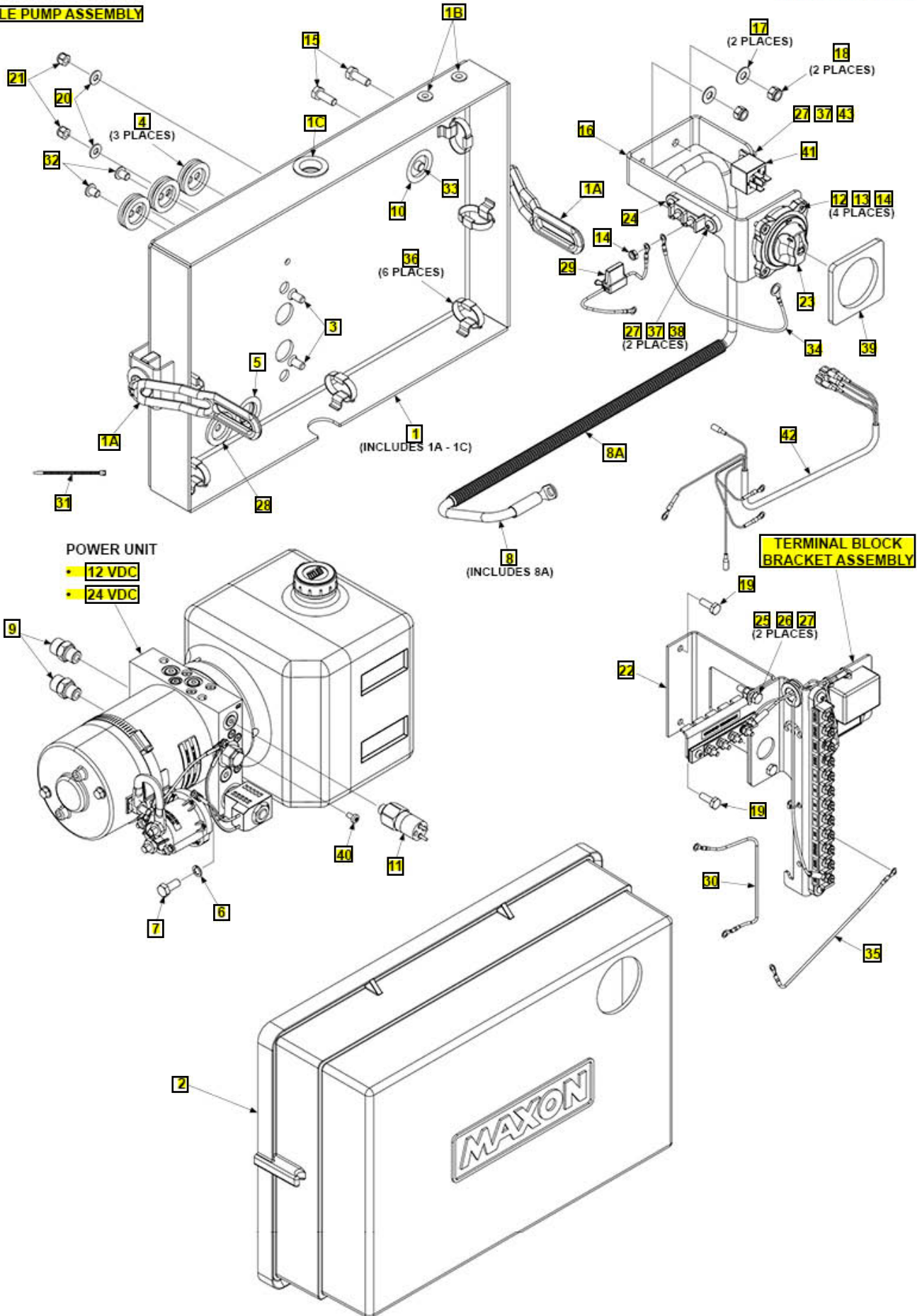
Pos	SKU	Description	Qty	Remark
1	289099-02	LOCK VALVE ASSY, 12V, BI-DIRECTIONAL	3	
1	289099-04	LOCK VALVE ASSY, 24V, BI-DIRECTIONAL	3	
2	289126-02	F/S TUBE ASSY, HYD. MOTOR, SIDE PUMP	1	
3	289126-01	F/S TUBE ASSY, HYD. MOTOR, SIDE PUMP	1	
4	289136-01	F/S,TUBE ASSY,SIDE MNT PMP,UP LINE,LH	1	
5	289136-02	F/S,TUBE ASSY,SIDE MNT PMP,UP LINE,RH	1	
6	289123-01	HOSE ASSY,1/4 HP, SAE #6 F, SW STR	2	
7	289137-01	F/S,TUBE ASSY,SIDE MNT PMP,DN LINE,LH	1	
8	289137-02	F/S,TUBE ASSY,SIDE MNT PMP,DN LINE,RH	1	
9	289122-01	HOSE ASSY, 1/4 HP, SAE #6, F, SW, 90 DEGREE SHRT DRP	2	
10	289123-02	HOSE ASSY,1/4 HP, SAE #6 F, SW STR,PMP	1	
11	289125-02	HOSE ASSY,1/4HP, SAE#6 F,SW 90 DEGREE, PD	1	
12	905071-01	DOUBLE-LINE PLASTIC CLAMP, .38 DIA	2	
13	905150	TEE, UNION 3/8 F.S. MALE,6-JLO	2	
14	905162	ELBOW BULKHEAD UNION F/S #6	2	
15	905173	CONNECTOR F/S#6&O-R#6, M-M	1	
16	905175	UNION F/S #6 M-M	2	
17	906800-01	ELBOW, SW NUT, ORFS M/F, #6	5	
18	906707-01	ELBOW, NPSC,SAE #6 F/S O-R M-M	2	
19	906708-01	ELBOW, NPSC,SAE #6 O-R M-F SW	3	

Pos	SKU	Description	Qty	Remark
20	906751-01	FITTING SAE#6M/SW F STR O-RING	3	
21	906924-01	ELBOW, STR THD, #6 ORFS/#8 SAE-ORB	2	
22	906748-01	BULKHEAD RUN TEE,SAE#6 F/S,M	2	
23	906968-01	CONNECTOR, STR, M-M ORFS#6/ORB#10	2	
24	900004-6	SCREW, CAP 1/4-20X1-1/2 GR8 ZC	2	
25	902013-09	WASHER1/4"ZINC- SAME030564	8	
26	902028-12	WASHER,FLAT 1.250 OD X .757 ID	8	
27	901000	NUT, NYLON 1/4-20 ZINC	4	
28	900004-8	SCREW, CAP 1/4-20X2 GR8 ZC	2	
29-1	297522-01	CYL DIA 3.00 BORE X 10ST. S/LB/BUSH	2	
29-2	297523-01	CYL DIA 3.5 BORE X 10ST,S/LB/BUSH	2	
29A	224342	FITTING, GREASE 1/4"SELF DRILL	2	
29B	905112-03	BEARING, SELF LUBE 1-3/8X1-3/8	4	
30	288518-03	VALVE,3GPM,SAE#6 M/F,PRESSURE COMP	1	
31	907378-11	SPIRAL BUNDLING WRAP, .75DIA OD X 20IN LG	2	
32	906712-02	O-RING #6, 3/8 ORFS TUBE END	32	
33	288226-01	MOTOR, HYD, 9.4 DISPL	1	

**SINGLE PUMP ASSEMBLY**

LAST UPDATED  
Sept 2025 to present

COMPLETE ASSEMBLY:  
**SINGLE PUMP ASSEMBLY**



Pos	SKU	Description	Qty	Remark
REF	289000-01G	PUMP ASSY,H/DUTY 12 V,SNGL,CC,G	1	
REF	289000-01G-24	PUMP ASSY,H/DUTY 24 V,SNGL,CC,G	1	
1	289940-01G	PLATE ASSY, PUMP MOUNT, GAL	1	
1A	908193-01	RUBBER LATCH	2	
1B	908022-03	PLUG, FLEXIBLE .393X.471	2	
1C	908022-08	PLUG,FLEXIBLE 1.063X.63	1	
2	289930-01	COVER ASSY, HORIZONTAL MOUNT	1	
3	900021-1	SCREW, SOC 5/16-18X3/4 FL	2	
4	266428-09	GROM. 1 DIAPH 2X .31 HOLES	3	
5	266428-16	GROMMET, Ø1.0 DIAPH .94DIA HOLE	1	
6	902011-3	WASHER, LOCK 5/16X5/64 G8 ZC	1	
7	900009-3	BOLT,HEX 5/16-18X3/4 GR8 ZC	1	
8	289329-02	CABLE ASSY,2GA, .31/.38RING, 90 DEG, 31IN LG	1	
8A	040103-45	SLIP LOOM 1/2" BLACK, 45"LG	1	
9	905173	CONNECTOR F/S#6&O-R#6, M-M	2	
10	266428-04	GROMMET, 1.0 DIAPH .38 HOLE	1	
11	287870-01	PRESSURE SW ASSY,7/16-20 SAE, #10R-MALE	1	
12	903444-01	WASHER, FLAT #10, SS	4	
13	900722-04	SCREW,BTN 10-24 X.63,SS	4	
14	903129-01	NUT, NYL INSRT THIN 10-24 SS	5	
15	901602-05	BOLT, HEX .313-18X.88,18-8 SS	2	
16	287871-01	BRACKET, SWITCH AND RELAY MOUNT	1	

Pos	SKU	Description	Qty	Remark
17	903409-02	WASHER,FEND .34 X.75OD,SS	2	
18	903106-10	NUT, NYL INSRT STOP.313 -18 SS	2	
19	900004-2	SCREW, CAP 1/4-20X3/4 GR8 ZC	2	
20	902013-09	WASHER1/4"ZINC- SAME030564	2	
21	901000	NUT, NYLON 1/4-20 ZINC	2	
22	211118-01	CHANNEL, TERM BLOCK BRKT MOUNT	1	
23	284562-01	MINI DISCONNECT SWITCH	1	
24	907279-01	JUNCTION BLOCK, TWO STUD	1	
25	901603-06	BOLT, HEX .250-20X1, 18-8 SS	2	
26	903137-01	NUT, NYL INSRT STOP .25-20 SS	2	
27	903412-01	WASHER,FLAT .25,SS	5	
28	266428-03	GROMMET, 1.0 DIA DIAPH .31 DIA HOLE	1	
29	211158-01	FUSE AND HOLDER ASSY, 10 AMP	1	
30	211179-01	WIRE ASSY, RING #10, 16 GA BLK, 10.5IN LG	1	
31	208153	TIE, PLASTIC 4" (18 LB)	6	
32	908022-02	PLUG, FLEXIBLE .315X.471	2	
33	908022-03	PLUG, FLEXIBLE .393X.471	1	
34	211159-01	WIRE ASSY, RING, #10/.38, BLACK	1	
35	211179-02	WIRE ASSY, RING #10, 16 GA WH, 8IN LG	1	
36	905322-01	TIE,PLASTIC 8" (120LB) BLACK	6	
37	903132-01	NUT, NYL INSRT, THN .25-20, SS	3	
38	900719-05	SCREW,BUTTON.25-20 X.75 SS	2	

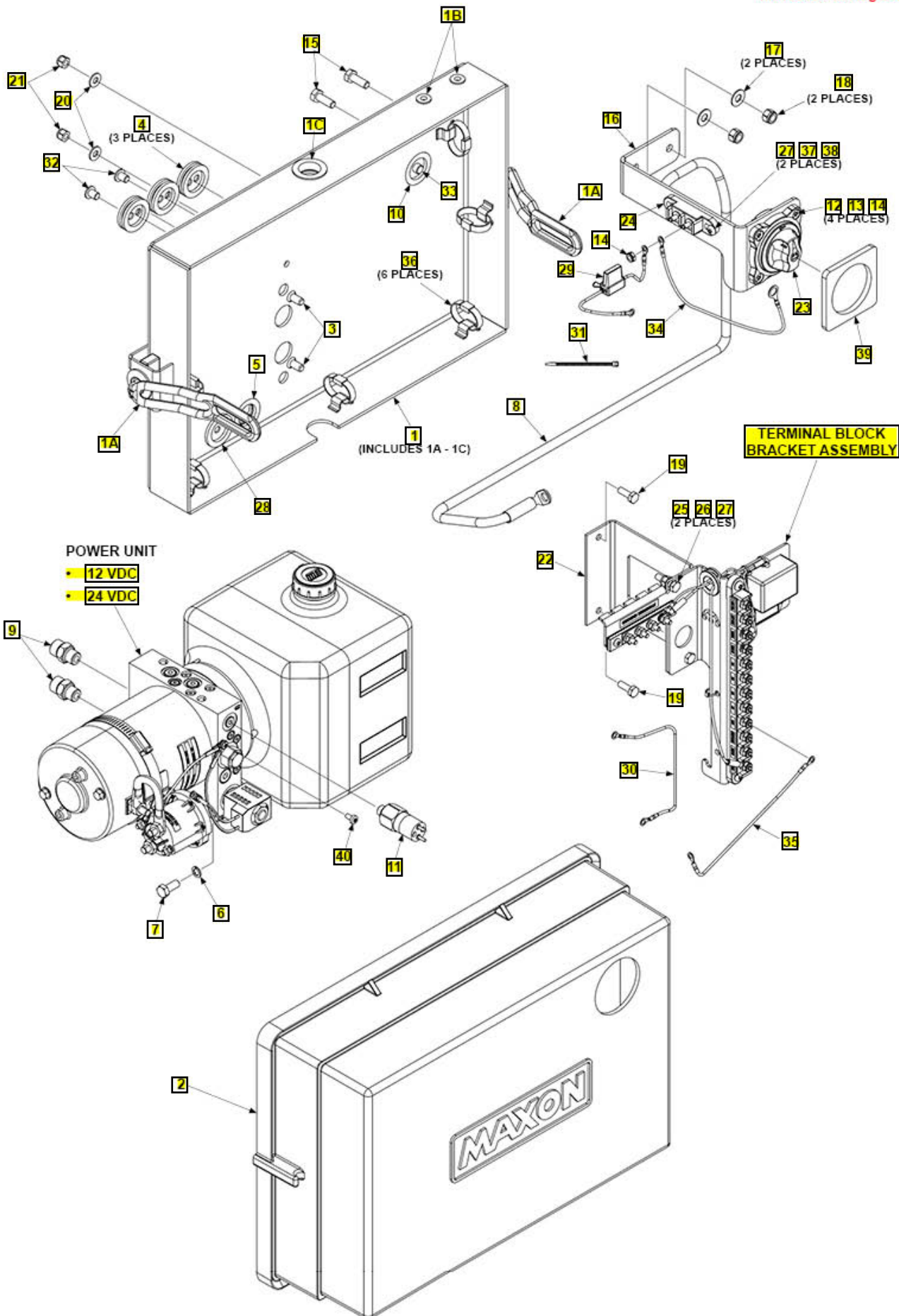
---

Pos	SKU	Description	Qty	Remark
39	289096-01	GASKET, RUBBER, SELECTOR SWITCH	1	
40	900007-3	SCREW, PH PAN HD,ZC 10-24X.38	1	
41	906578-01	RELAY 12VDC 5 PIN	1	
42	287935-01	CABLE ASSY, RELAY, STOW SENSOR, SLIDER	1	
43	900719-04	SCREW,BUTTON.25-20 X.63 SS	1	

---

SINGLE PUMP ASSEMBLY

LAST UPDATED  
MAR 2024 to Aug 2025



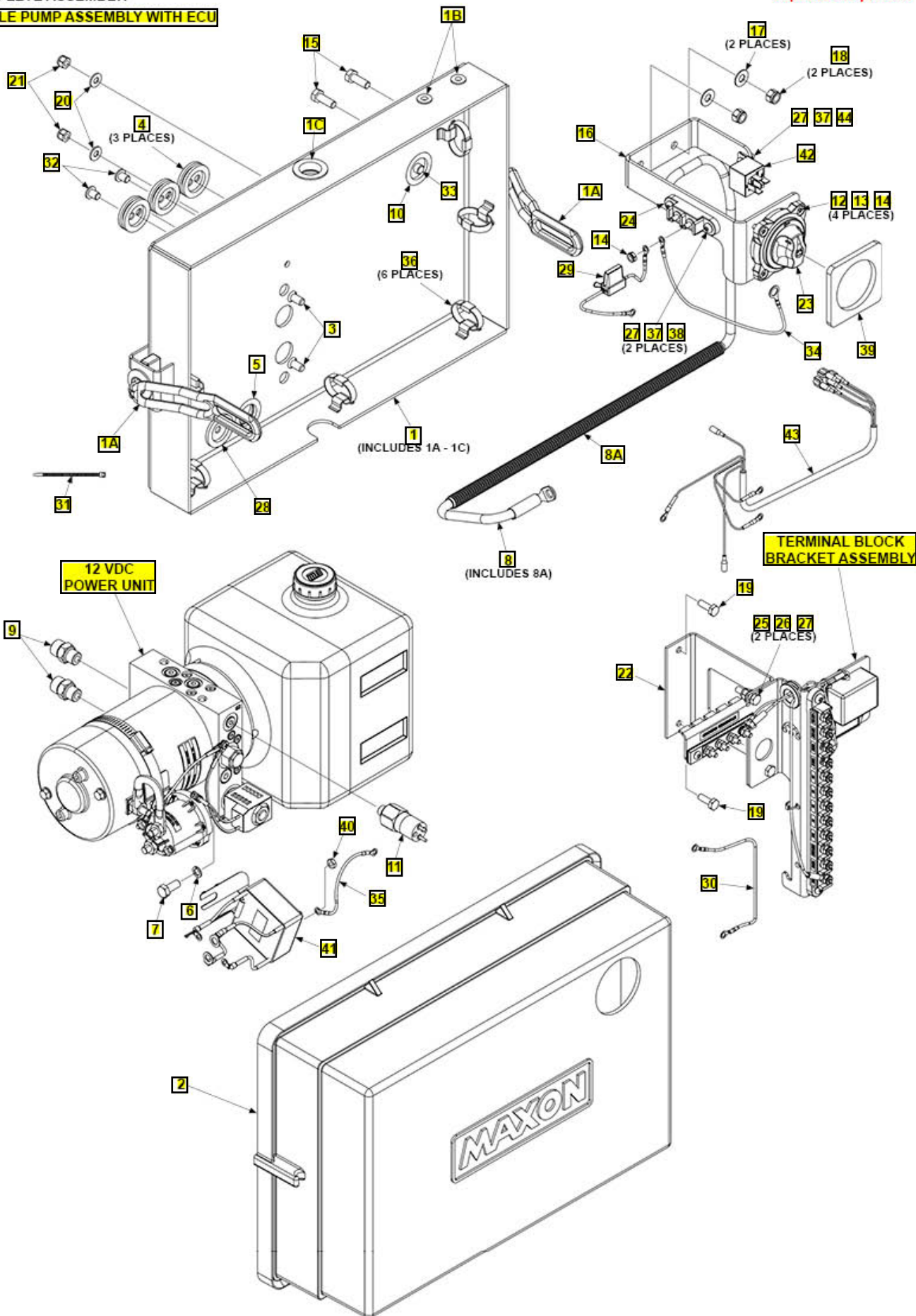
Pos	SKU	Description	Qty	Remark
1	289940-01G	PLATE ASSY, PUMP MOUNT, GAL	1	
1A	908193-01	RUBBER LATCH	2	
1B	908022-03	PLUG, FLEXIBLE .393X.471	2	
1C	908022-08	PLUG,FLEXIBLE 1.063X.63	1	
2	289930-01	COVER ASSY, HORIZONTAL MOUNT	1	
3	900021-1	SCREW, SOC 5/16-18X3/4 FL	2	
4	266428-09	GROM. 1 DIAPH 2X .31 HOLES	3	
5	266428-16	GROMMET, Ø1.0 DIAPH .94DIA HOLE	1	
6	902011-3	WASHER, LOCK 5/16X5/64 G8 ZC	1	
7	900009-3	BOLT,HEX 5/16-18X3/4 GR8 ZC	1	
8	289329-02	CABLE ASSY,2GA, .31/.38RING, 90 DEG, 31IN LG	1	
9	905173	CONNECTOR F/S#6&O-R#6, M-M	2	
10	266428-04	GROMMET, 1.0 DIAPH .38 HOLE	1	
11	287870-01	PRESSURE SW ASSY,7/16-20 SAE, #10R-MALE	1	
12	903444-01	WASHER, FLAT #10, SS	4	
13	900722-04	SCREW,BTN 10-24 X.63,SS	4	
14	903129-01	NUT, NYL INSRT THIN 10-24 SS	5	
15	901602-05	BOLT, HEX .313-18X.88,18-8 SS	2	
16	289095-03	BRACKET, SWITCH/RELAY MOUNT	1	
17	903409-02	WASHER,FEND .34 X.75OD,SS	2	
18	903106-10	NUT, NYL INSRT STOP.313 -18 SS	2	
19	900004-2	SCREW, CAP 1/4-20X3/4 GR8 ZC	2	

Pos	SKU	Description	Qty	Remark
20	902013-09	WASHER1/4"ZINC-SAME030564	2	
21	901000	NUT, NYLON 1/4-20 ZINC	2	
22	211118-01	CHANNEL, TERM BLOCK BRKT MOUNT	1	
23	284562-01	MINI DISCONNECT SWITCH	1	
24	907279-01	JUNCTION BLOCK, TWO STUD	1	
25	901603-06	BOLT, HEX .250-20X1, 18-8 SS	2	
26	903137-01	NUT, NYL INSRT STOP .25-20 SS	2	
27	903412-01	WASHER,FLAT .25,SS	4	
28	266428-03	GROMMET, 1.0 DIA DIAPH .31 DIA HOLE	1	
29	211158-01	FUSE AND HOLDER ASSY, 10 AMP	1	
30	211179-01	WIRE ASSY, RING #10, 16 GA BLK, 10.5IN LG	1	
31	208153	TIE, PLASTIC 4" (18 LB)	6	
32	908022-02	PLUG, FLEXIBLE .315X.471	2	
33	908022-03	PLUG, FLEXIBLE .393X.471	1	
34	211159-01	WIRE ASSY, RING, #10/.38, BLACK	1	
35	211179-02	WIRE ASSY, RING #10, 16 GA WH, 8IN LG	1	
36	905322-01	TIE,PLASTIC 8" (120LB) BLACK	6	
37	903132-01	NUT, NYL INSRT, THN .25-20, SS	2	
38	900719-05	SCREW,BUTTON.25-20 X.75 SS	2	
39	289096-01	GASKET, RUBBER, SELECTOR SWITCH	1	
40	900007-3	SCREW, PH PAN HD,ZC 10-24X.38	1	

SINGLE PUMP ASSEMBLY WITH ECU

LAST UPDATED  
Sept 2025 to present

COMPLETE ASSEMBLY:  
**SINGLE PUMP ASSEMBLY WITH ECU**



Pos	SKU	Description	Qty	Remark
REF	289000-01G-101	PUMP ASSY,H/DTY 12V PD,SNGL,CC,MAXECU,G	1	
1	289940-01G	PLATE ASSY, PUMP MOUNT, GAL	1	
1A	908193-01	RUBBER LATCH	2	
1B	908022-03	PLUG, FLEXIBLE .393X.471	2	
1C	908022-08	PLUG,FLEXIBLE 1.063X.63	1	
2	289930-01	COVER ASSY, HORIZONTAL MOUNT	1	
3	900021-1	SCREW, SOC 5/16-18X3/4 FL	2	
4	266428-09	GROM. 1 DIAPH 2X .31 HOLES	3	
5	266428-16	GROMMET, Ø1.0 DIAPH .94DIA HOLE	1	
6	902011-3	WASHER, LOCK 5/16X5/64 G8 ZC	1	
7	900009-3	BOLT,HEX 5/16-18X3/4 GR8 ZC	1	
8	289329-02	CABLE ASSY,2GA, .31/.38RING, 90 DEG, 31IN LG	1	
8A	040103-45	SLIP LOOM 1/2" BLACK, 45"LG	1	
9	905173	CONNECTOR F/S#6&O-R#6, M-M	2	
10	266428-04	GROMMET, 1.0 DIAPH .38 HOLE	1	
11	287870-01	PRESSURE SW ASSY,7/16-20 SAE, #10R-MALE	1	
12	903444-01	WASHER, FLAT #10, SS	4	
13	900722-04	SCREW,BTN 10-24 X.63,SS	4	
14	903129-01	NUT, NYL INSRT THIN 10-24 SS	5	
15	901602-05	BOLT, HEX .313-18X.88,18-8 SS	2	
16	287871-01	BRACKET, SWITCH AND RELAY MOUNT	1	
17	903409-02	WASHER,FEND .34 X.75OD,SS	2	

Pos	SKU	Description	Qty	Remark
18	903106-10	NUT, NYL INSRT STOP.313 -18 SS	2	
19	900004-2	SCREW, CAP 1/4-20X3/4 GR8 ZC	2	
20	902013-09	WASHER1/4"ZINC- SAME030564	2	
21	901000	NUT, NYLON 1/4-20 ZINC	2	
22	211118-01	CHANNEL, TERM BLOCK BRKT MOUNT	1	
23	284562-01	MINI DISCONNECT SWITCH	1	
24	907279-01	JUNCTION BLOCK, TWO STUD	1	
25	901603-06	BOLT, HEX .250-20X1, 18-8 SS	2	
26	903137-01	NUT, NYL INSRT STOP .25-20 SS	2	
27	903412-01	WASHER,FLAT .25,SS	5	
28	266428-03	GROMMET, 1.0 DIA DIAPH .31 DIA HOLE	1	
29	211158-01	FUSE AND HOLDER ASSY, 10 AMP	1	
30	211179-01	WIRE ASSY, RING #10, 16 GA BLK, 10.5IN LG	1	
31	208153	TIE, PLASTIC 4" (18 LB)	6	
32	908022-02	PLUG, FLEXIBLE .315X.471	2	
33	908022-03	PLUG, FLEXIBLE .393X.471	1	
34	211159-01	WIRE ASSY, RING, #10/.38, BLACK	1	
35	211179-02	WIRE ASSY, RING #10, 16 GA WH, 8IN LG	1	
36	905322-01	TIE,PLASTIC 8" (120LB) BLACK	6	
37	903132-01	NUT, NYL INSRT, THN .25-20, SS	3	
38	900719-05	SCREW,BUTTON.25-20 X.75 SS	2	
39	289096-01	GASKET, RUBBER, SELECTOR SWITCH	1	

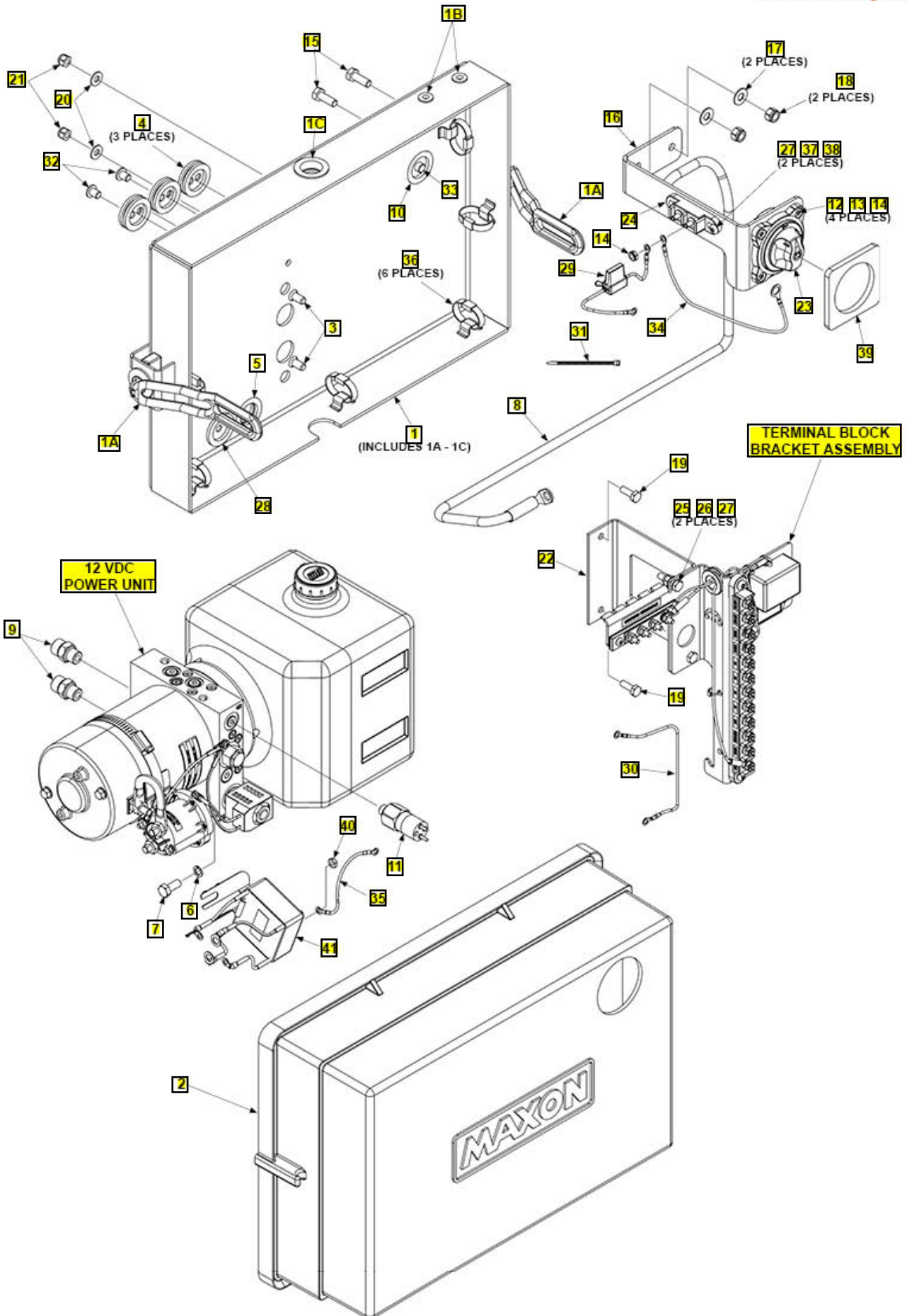
---

Pos	SKU	Description	Qty	Remark
40	030344	NUT, HEX HD #10-32, 6/6 NYLON	1	
41	297135-01	MAX ECU MODULE	1	
42	906578-01	RELAY 12VDC 5 PIN	1	
43	287935-01	CABLE ASSY, RELAY, STOW SENSOR, SLIDER	1	
44	900719-04	SCREW,BUTTON.25-20 X.63 SS	1	

---

SINGLE PUMP ASSEMBLY WITH ECU

LAST UPDATED  
MAR 2024 to Aug 2025



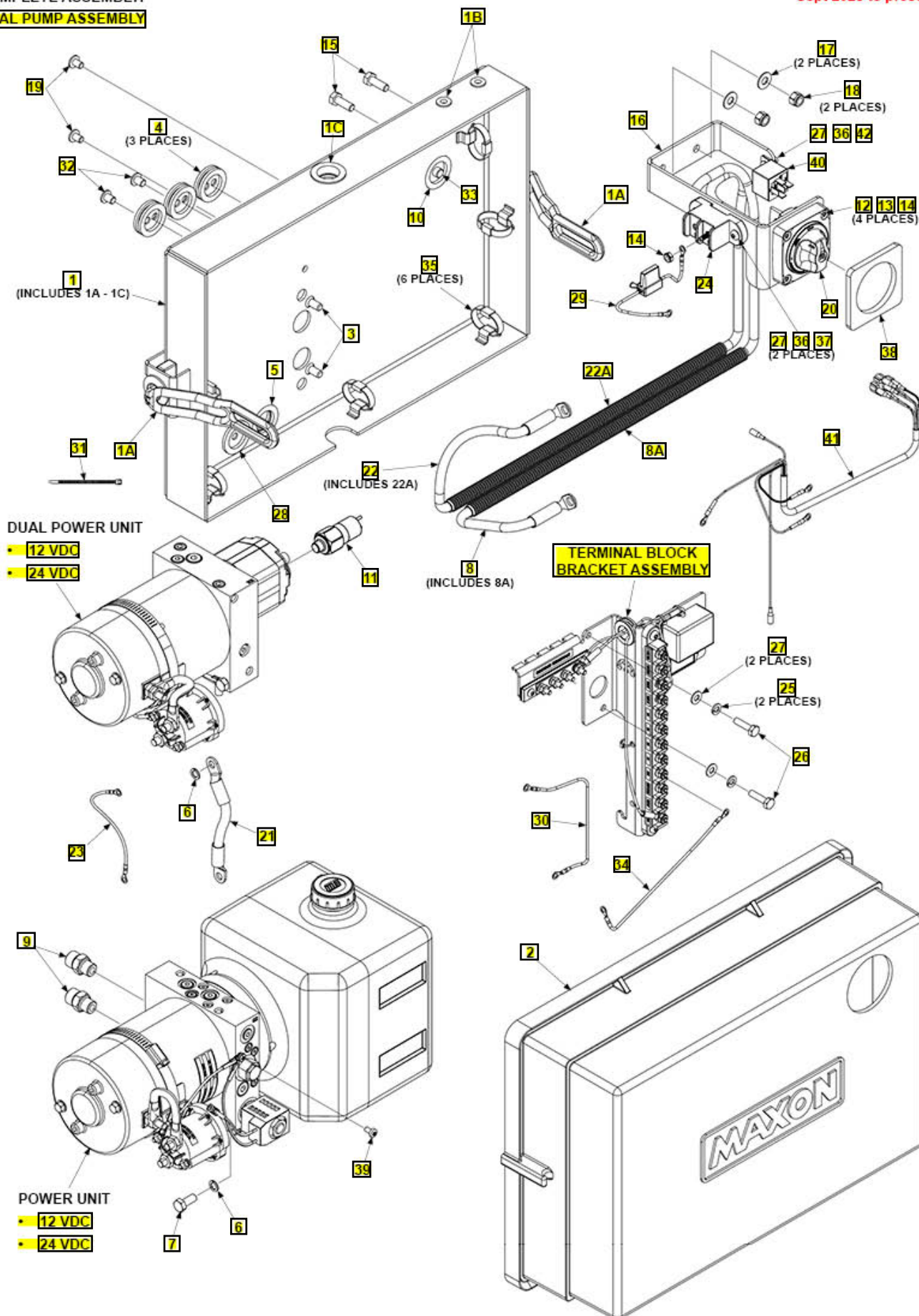
Pos	SKU	Description	Qty	Remark
1	289940-01G	PLATE ASSY, PUMP MOUNT, GAL	1	
1A	908193-01	RUBBER LATCH	2	
1B	908022-03	PLUG, FLEXIBLE .393X.471	2	
1C	908022-08	PLUG,FLEXIBLE 1.063X.63	1	
2	289930-01	COVER ASSY, HORIZONTAL MOUNT	1	
3	900021-1	SCREW, SOC 5/16-18X3/4 FL	2	
4	266428-09	GROM. 1 DIAPH 2X .31 HOLES	3	
5	266428-16	GROMMET, Ø1.0 DIAPH .94DIA HOLE	1	
6	902011-3	WASHER, LOCK 5/16X5/64 G8 ZC	1	
7	900009-3	BOLT,HEX 5/16-18X3/4 GR8 ZC	1	
8	289329-02	CABLE ASSY,2GA, .31/.38RING, 90 DEG, 31IN LG	1	
9	905173	CONNECTOR F/S#6&O-R#6, M-M	2	
10	266428-04	GROMMET, 1.0 DIAPH .38 HOLE	1	
11	287870-01	PRESSURE SW ASSY,7/16-20 SAE, #10R-MALE	1	
12	903444-01	WASHER, FLAT #10, SS	4	
13	900722-04	SCREW,BTN 10-24 X.63,SS	4	
14	903129-01	NUT, NYL INSRT THIN 10-24 SS	5	
15	901602-05	BOLT, HEX .313-18X.88,18-8 SS	2	
16	289095-03	BRACKET, SWITCH/RELAY MOUNT	1	
17	903409-02	WASHER,FEND .34 X.75OD,SS	2	
18	903106-10	NUT, NYL INSRT STOP.313 -18 SS	2	
19	900004-2	SCREW, CAP 1/4-20X3/4 GR8 ZC	2	

Pos	SKU	Description	Qty	Remark
20	902013-09	WASHER1/4"ZINC-SAME030564	2	
21	901000	NUT, NYLON 1/4-20 ZINC	2	
22	211118-01	CHANNEL, TERM BLOCK BRKT MOUNT	1	
23	284562-01	MINI DISCONNECT SWITCH	1	
24	907279-01	JUNCTION BLOCK, TWO STUD	1	
25	901603-06	BOLT, HEX .250-20X1, 18-8 SS	2	
26	903137-01	NUT, NYL INSRT STOP .25-20 SS	2	
27	903412-01	WASHER,FLAT .25,SS	4	
28	266428-03	GROMMET, 1.0 DIA DIAPH .31 DIA HOLE	1	
29	211158-01	FUSE AND HOLDER ASSY, 10 AMP	1	
30	211179-01	WIRE ASSY, RING #10, 16 GA BLK, 10.5IN LG	1	
31	208153	TIE, PLASTIC 4" (18 LB)	6	
32	908022-02	PLUG, FLEXIBLE .315X.471	2	
33	908022-03	PLUG, FLEXIBLE .393X.471	1	
34	211159-01	WIRE ASSY, RING, #10/.38, BLACK	1	
35	211179-02	WIRE ASSY, RING #10, 16 GA WH, 8IN LG	1	
36	905322-01	TIE,PLASTIC 8" (120LB) BLACK	6	
37	903132-01	NUT, NYL INSRT, THN .25-20, SS	2	
38	900719-05	SCREW,BUTTON.25-20 X.75 SS	2	
39	289096-01	GASKET, RUBBER, SELECTOR SWITCH	1	
40	030344	NUT, HEX HD #10-32, 6/6 NYLON	1	
41	297135-01	MAX ECU MODULE	1	

DUAL PUMP ASSEMBLY

LAST UPDATED  
Sept 2025 to present

COMPLETE ASSEMBLY:  
**DUAL PUMP ASSEMBLY**



Pos	SKU	Description	Qty	Remark
REF	289000-11G	PUMP ASSY,H/DUTY 12 V,DUAL,CC,G	1	
REF	289000-11G-24	PUMP ASSY,H/DUTY 12 V,DUAL,CC,G	1	
1	289940-01G	PLATE ASSY, PUMP MOUNT, GAL	1	
1A	908193-01	RUBBER LATCH	2	
1B	908022-03	PLUG, FLEXIBLE .393X.471	2	
1C	908022-08	PLUG,FLEXIBLE 1.063X.63	1	
2	289930-01	COVER ASSY, HORIZONTAL MOUNT	1	
3	900021-1	SCREW, SOC 5/16-18X3/4 FL	2	
4	266428-09	GROM. 1 DIAPH 2X .31 HOLES	3	
5	266428-16	GROMMET, Ø1.0 DIAPH .94DIA HOLE	1	
6	902011-3	WASHER, LOCK 5/16X5/64 G8 ZC	2	
7	900009-3	BOLT,HEX 5/16-18X3/4 GR8 ZC	1	
8	289329-02	CABLE ASSY,2GA, .31/.38RING, 90 DEG, 31IN LG	1	
8A	040103-45	SLIP LOOM 1/2" BLACK, 45"LG	1	
9	905173	CONNECTOR F/S#6&O-R#6, M-M	2	
10	266428-04	GROMMET, 1.0 DIAPH .38 HOLE	1	
11	287870-01	PRESSURE SW ASSY,7/16-20 SAE, #10R-MALE	1	
12	903444-01	WASHER, FLAT #10, SS	4	
13	900722-06	SCREW, BUTN, 10-24 X .88, SS	4	
14	903129-01	NUT, NYL INSRT THIN 10-24 SS	5	
15	901602-05	BOLT, HEX .313-18X.88,18-8 SS	2	
16	287871-01	BRACKET, SWITCH AND RELAY MOUNT	1	

Pos	SKU	Description	Qty	Remark
17	903409-02	WASHER,FEND .34 X.75OD,SS	2	
18	903106-10	NUT, NYL INSRT STOP.313 -18 SS	2	
19	908022-07	PLUG, FLEXIBLE .275X.511	2	
20	288102-01	MINI SELECTOR SWITCH, 1-OFF-2	2	
21	269191-07	CABLE ASSY, GROUND, 2GA X 6-1/8 LG	2	
22	289329-01	CABLE ASSY,2GA, .31/.38RING, 90 DEG, 27IN LG	1	
22A	040103-47	SLIP LOOM 1/2" BLACK, 47" LG	1	
23	211179-03	WIRE ASSY, RING #10, 16 GA WH, 4.5IN LG	1	
24	211151-01	SWITCH MODULE ASSY, 12 VDC	1	
24	211151-24	SWITCH MODULE ASSY, 24 VDC	1	
25	902011-2	WASHER, LOCK .25 X .062 THK	2	
26	901603-06	BOLT, HEX .250-20X1, 18-8 SS	2	
27	903412-01	WASHER,FLAT .25,SS	5	
28	266428-03	GROMMET, 1.0 DIA DIAPH .31 DIA HOLE	1	
29	211158-01	FUSE AND HOLDER ASSY, 10 AMP	1	
30	211179-01	WIRE ASSY, RING #10, 16 GA BLK, 10.5IN LG	1	
31	208153	TIE, PLASTIC 4" (18 LB)	6	
32	908022-02	PLUG, FLEXIBLE .315X.471	2	
33	908022-03	PLUG, FLEXIBLE .393X.471	1	
34	211179-02	WIRE ASSY, RING #10, 16 GA WH, 8IN LG	1	
35	905322-01	TIE,PLASTIC 8" (120LB) BLACK	6	
36	903132-01	NUT, NYL INSRT, THN .25-20, SS	3	

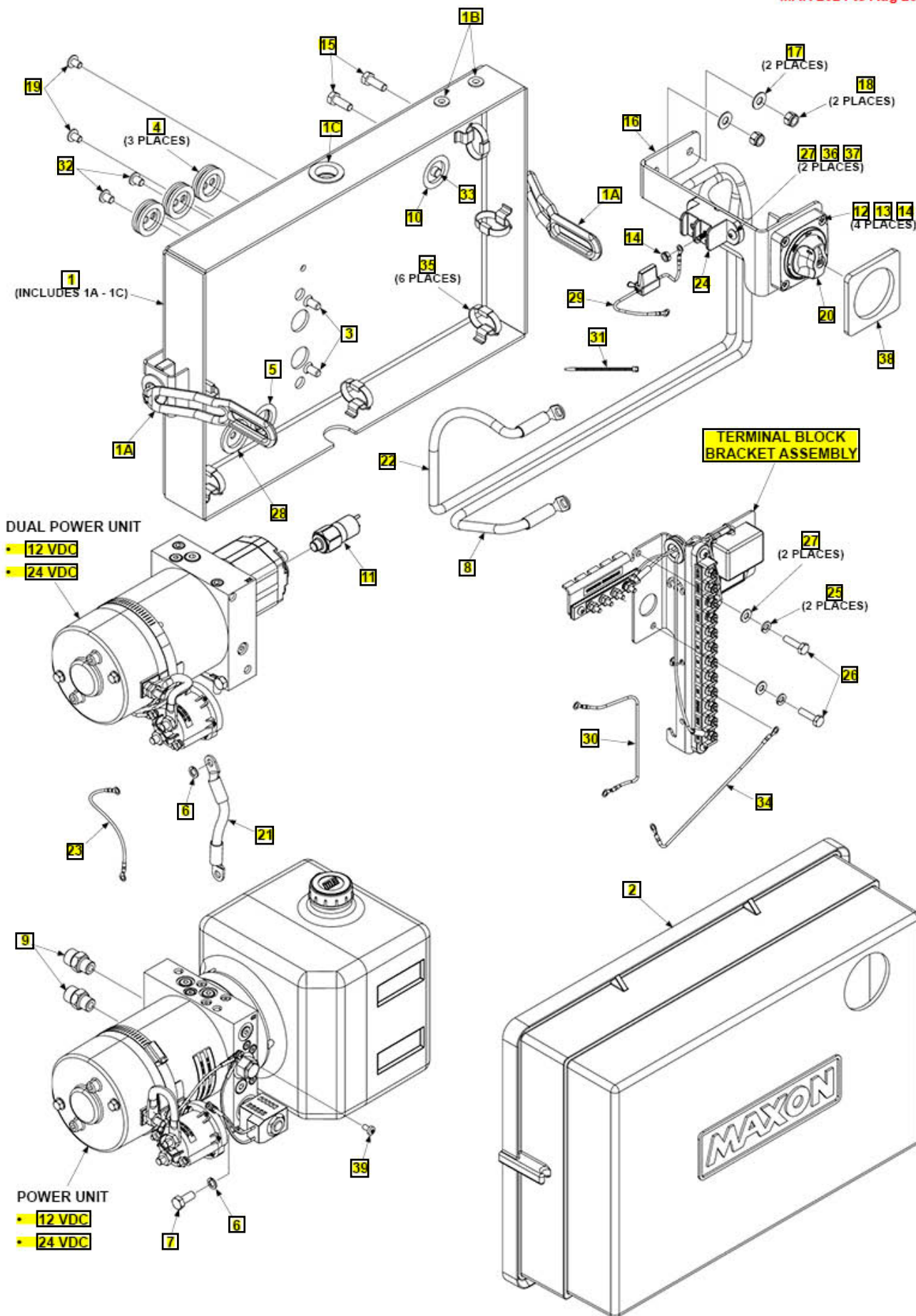
---

Pos	SKU	Description	Qty	Remark
37	900719-05	SCREW,BUTTON.25-20 X.75 SS	2	
38	289096-01	GASKET, RUBBER, SELECTOR SWITCH	1	
39	900007-3	SCREW, PH PAN HD,ZC 10-24X.38	1	
40	906578-01	RELAY 12VDC 5 PIN	1	
40	907125-01	RELAY, 24 VDC, 5 PIN	1	
41	287935-01	CABLE ASSY, RELAY, STOW SENSOR, SLIDER	1	
42	900719-04	SCREW,BUTTON.25-20 X.63 SS	1	

---

DUAL PUMP ASSEMBLY

LAST UPDATED  
MAR 2024 to Aug 2025



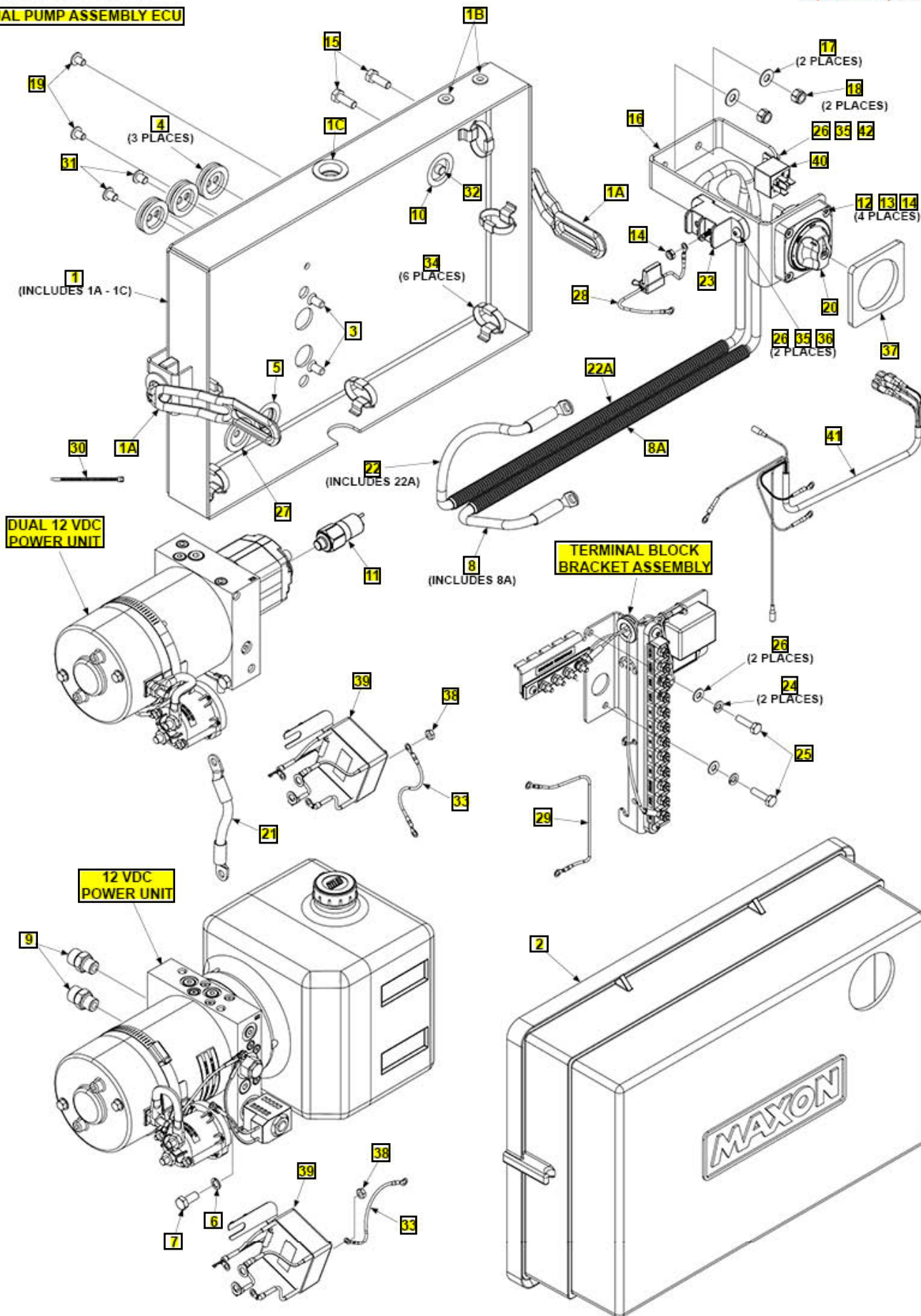
Pos	SKU	Description	Qty	Remark
1	289940-01G	PLATE ASSY, PUMP MOUNT, GAL	1	
1A	908193-01	RUBBER LATCH	2	
1B	908022-03	PLUG, FLEXIBLE .393X.471	2	
1C	908022-08	PLUG, FLEXIBLE 1.063X.63	1	
2	289930-01	COVER ASSY, HORIZONTAL MOUNT	1	
3	900021-1	SCREW, SOC 5/16-18X3/4 FL	2	
4	266428-09	GROM. 1 DIAPH 2X .31 HOLES	3	
5	266428-16	GROMMET, Ø1.0 DIAPH .94DIA HOLE	1	
6	902011-3	WASHER, LOCK 5/16X5/64 G8 ZC	2	
7	900009-3	BOLT, HEX 5/16-18X3/4 GR8 ZC	1	
8	289329-02	CABLE ASSY, 2GA, .31/.38RING, 90 DEG, 31IN LG	1	
9	905173	CONNECTOR F/S#6&O-R#6, M-M	2	
10	266428-04	GROMMET, 1.0 DIAPH .38 HOLE	1	
11	287870-01	PRESSURE SW ASSY, 7/16-20 SAE, #10R-MALE	1	
12	903444-01	WASHER, FLAT #10, SS	4	
13	900722-06	SCREW, BUTN, 10-24 X .88, SS	4	
14	903129-01	NUT, NYL INSRT THIN 10-24 SS	5	
15	901602-05	BOLT, HEX .313-18X.88, 18-8 SS	2	
16	289095-03	BRACKET, SWITCH/RELAY MOUNT	1	
17	903409-02	WASHER, FEND .34 X.75OD, SS	2	
18	903106-10	NUT, NYL INSRT STOP. 313 -18 SS	2	
19	908022-07	PLUG, FLEXIBLE .275X.511	2	

Pos	SKU	Description	Qty	Remark
20	288102-01	MINI SELECTOR SWITCH, 1-OFF-2	2	
21	269191-07	CABLE ASSY, GROUND, 2GA X 6-1/8 LG	2	
22	289329-01	CABLE ASSY,2GA, .31/.38RING, 90 DEG, 27IN LG	1	
23	211179-03	WIRE ASSY, RING #10, 16 GA WH, 4.5IN LG	1	
24	211151-01	SWITCH MODULE ASSY, 12 VDC	1	
24	211151-24	SWITCH MODULE ASSY, 24 VDC	1	
25	902011-2	WASHER, LOCK .25 X .062 THK	2	
26	901603-06	BOLT, HEX .250-20X1, 18-8 SS	2	
27	903412-01	WASHER,FLAT .25,SS	4	
28	266428-03	GROMMET, 1.0 DIA DIAPH .31 DIA HOLE	1	
29	211158-01	FUSE AND HOLDER ASSY, 10 AMP	1	
30	211179-01	WIRE ASSY, RING #10, 16 GA BLK, 10.5IN LG	1	
31	208153	TIE, PLASTIC 4" (18 LB)	6	
32	908022-02	PLUG, FLEXIBLE .315X.471	2	
33	908022-03	PLUG, FLEXIBLE .393X.471	1	
34	211179-02	WIRE ASSY, RING #10, 16 GA WH, 8IN LG	1	
35	905322-01	TIE,PLASTIC 8" (120LB) BLACK	6	
36	903132-01	NUT, NYL INSRT, THN .25-20, SS	2	
37	900719-05	SCREW,BUTTON.25-20 X.75 SS	2	
38	289096-01	GASKET, RUBBER, SELECTOR SWITCH	1	
39	900007-3	SCREW, PH PAN HD,ZC 10-24X.38	1	

### DUAL PUMP ASSEMBLY ECU

LAST UPDATED  
Sept 2025 to present

COMPLETE ASSEMBLY:  
**DUAL PUMP ASSEMBLY ECU**



Pos	SKU	Description	Qty	Remark
REF	289000-11G-101	PUMP ASSY, H/DTY 12V PD, DUAL, CC, MAXECU, G	1	
1	289940-01G	PLATE ASSY, PUMP MOUNT, GAL	1	
1A	908193-01	RUBBER LATCH	2	
1B	908022-03	PLUG, FLEXIBLE .393X.471	2	
1C	908022-08	PLUG, FLEXIBLE 1.063X.63	1	
2	289930-01	COVER ASSY, HORIZONTAL MOUNT	1	
3	900021-1	SCREW, SOC 5/16-18X3/4 FL	2	
4	266428-09	GROM. 1 DIAPH 2X .31 HOLES	3	
5	266428-16	GROMMET, Ø1.0 DIAPH .94DIA HOLE	1	
6	902011-3	WASHER, LOCK 5/16X5/64 G8 ZC	1	
7	900009-3	BOLT, HEX 5/16-18X3/4 GR8 ZC	1	
8	289329-02	CABLE ASSY, 2GA, .31/.38RING, 90 DEG, 31IN LG	1	
8A	040103-45	SLIP LOOM 1/2" BLACK, 45" LG	1	
9	905173	CONNECTOR F/S#6&O-R#6, M-M	2	
10	266428-04	GROMMET, 1.0 DIAPH .38 HOLE	1	
11	287870-01	PRESSURE SW ASSY, 7/16-20 SAE, #10R-MALE	1	
12	903444-01	WASHER, FLAT #10, SS	4	
13	900722-06	SCREW, BUTN, 10-24 X .88, SS	4	
14	903129-01	NUT, NYL INSRT THIN 10-24 SS	5	
15	901602-05	BOLT, HEX .313-18X.88, 18-8 SS	2	
16	287871-01	BRACKET, SWITCH AND RELAY MOUNT	1	
17	903409-02	WASHER, FEND .34 X.75OD, SS	2	

Pos	SKU	Description	Qty	Remark
18	903106-10	NUT, NYL INSRT STOP.313 -18 SS	2	
19	908022-07	PLUG, FLEXIBLE .275X.511	2	
20	288102-01	MINI SELECTOR SWITCH, 1-OFF-2	1	
21	269191-07	CABLE ASSY, GROUND, 2GA X 6-1/8 LG	1	
22	289329-01	CABLE ASSY,2GA, .31/.38RING, 90 DEG, 27IN LG	1	
22A	040103-47	SLIP LOOM 1/2" BLACK, 47" LG	1	
23	211151-01	SWITCH MODULE ASSY, 12 VDC	1	
24	902011-2	WASHER, LOCK .25 X .062 THK	2	
25	901603-04	BOLT, HEX .25-20X.75,18-8 SS	2	
26	903412-01	WASHER,FLAT .25,SS	5	
27	266428-03	GROMMET, 1.0 DIA DIAPH .31 DIA HOLE	1	
28	211158-01	FUSE AND HOLDER ASSY, 10 AMP	1	
29	211179-01	WIRE ASSY, RING #10, 16 GA BLK, 10.5IN LG	1	
30	208153	TIE, PLASTIC 4" (18 LB)	6	
31	908022-02	PLUG, FLEXIBLE .315X.471	2	
32	908022-03	PLUG, FLEXIBLE .393X.471	1	
33	211179-02	WIRE ASSY, RING #10, 16 GA WH, 8IN LG	2	
34	905322-01	TIE,PLASTIC 8" (120LB) BLACK	6	
35	903132-01	NUT, NYL INSRT, THN .25-20, SS	3	
36	900719-05	SCREW,BUTTON.25-20 X.75 SS	2	
37	289096-01	GASKET, RUBBER, SELECTOR SWITCH	1	
38	030344	NUT, HEX HD #10-32, 6/6 NYLON	2	

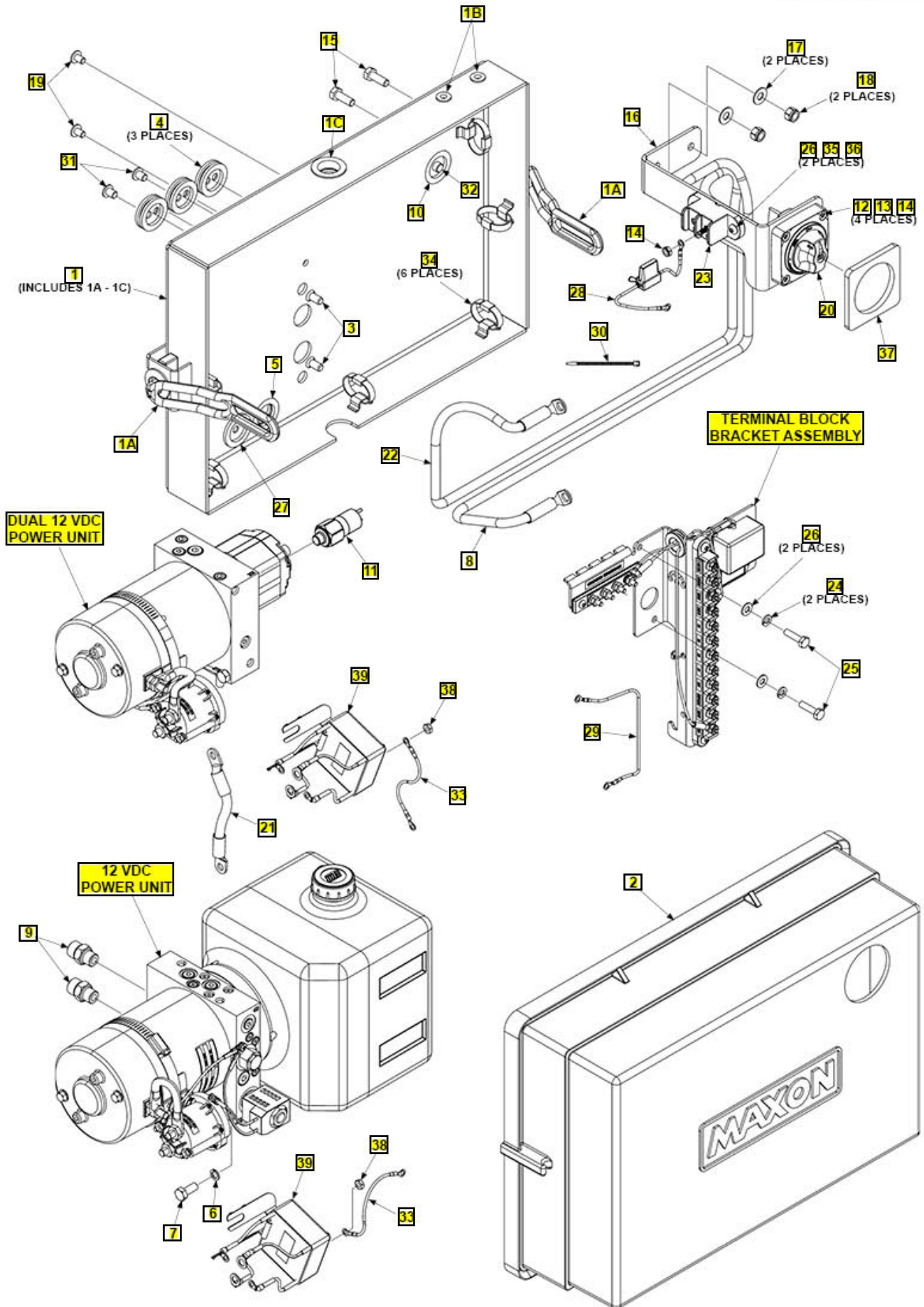
---

<b>Pos</b>	<b>SKU</b>	<b>Description</b>	<b>Qty</b>	<b>Remark</b>
39	297135-01	MAX ECU MODULE	2	
40	906578-01	RELAY 12VDC 5 PIN	1	
41	287935-01	CABLE ASSY, RELAY, STOW SENSOR, SLIDER	1	
42	900719-04	SCREW,BUTTON.25-20 X.63 SS	1	

---

DUAL PUMP ASSEMBLY ECU

LAST UPDATED  
MAR 2024 to Aug 2025



Pos	SKU	Description	Qty	Remark
1	289940-01G	PLATE ASSY, PUMP MOUNT, GAL	1	
1A	908193-01	RUBBER LATCH	2	
1B	908022-03	PLUG, FLEXIBLE .393X.471	2	
1C	908022-08	PLUG, FLEXIBLE 1.063X.63	1	
2	289930-01	COVER ASSY, HORIZONTAL MOUNT	1	
3	900021-1	SCREW, SOC 5/16-18X3/4 FL	2	
4	266428-09	GROM. 1 DIAPH 2X .31 HOLES	3	
5	266428-16	GROMMET, Ø1.0 DIAPH .94DIA HOLE	1	
6	902011-3	WASHER, LOCK 5/16X5/64 G8 ZC	1	
7	900009-3	BOLT, HEX 5/16-18X3/4 GR8 ZC	1	
8	289329-02	CABLE ASSY, 2GA, .31/.38RING, 90 DEG, 31IN LG	1	
9	905173	CONNECTOR F/S#6&O-R#6, M-M	2	
10	266428-04	GROMMET, 1.0 DIAPH .38 HOLE	1	
11	287870-01	PRESSURE SW ASSY, 7/16-20 SAE, #10R-MALE	1	
12	903444-01	WASHER, FLAT #10, SS	4	
13	900722-06	SCREW, BUTN, 10-24 X .88, SS	4	
14	903129-01	NUT, NYL INSRT THIN 10-24 SS	5	
15	901602-05	BOLT, HEX .313-18X.88, 18-8 SS	2	
16	289095-03	BRACKET, SWITCH/RELAY MOUNT	1	
17	903409-02	WASHER, FEND .34 X.75OD, SS	2	
18	903106-10	NUT, NYL INSRT STOP. 313 -18 SS	2	
19	908022-07	PLUG, FLEXIBLE .275X.511	2	

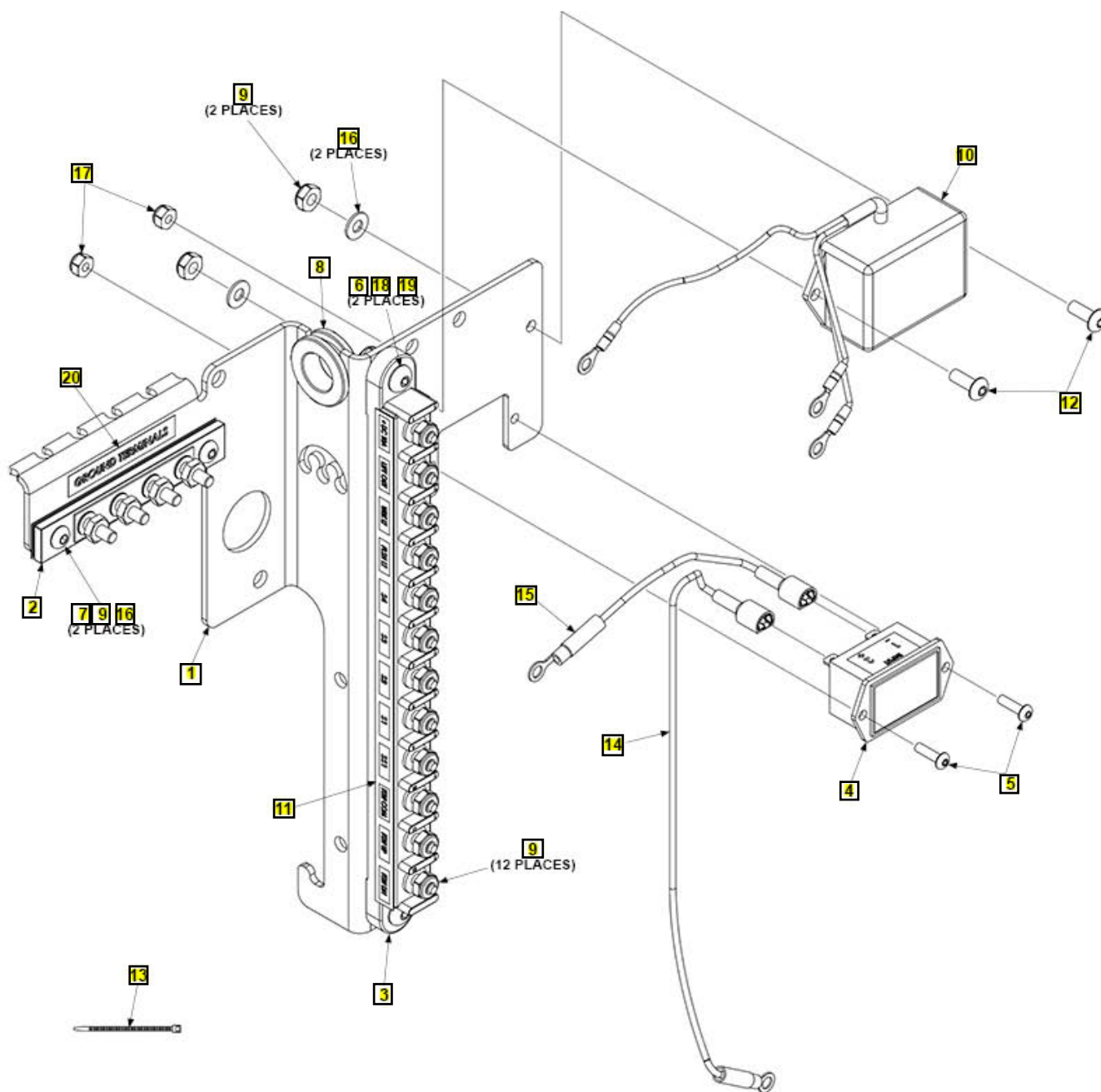
Pos	SKU	Description	Qty	Remark
20	288102-01	MINI SELECTOR SWITCH, 1-OFF-2	1	
21	269191-07	CABLE ASSY, GROUND, 2GA X 6-1/8 LG	1	
22	289329-01	CABLE ASSY,2GA, .31/.38RING, 90 DEG, 27IN LG	1	
23	211151-01	SWITCH MODULE ASSY, 12 VDC	1	
24	902011-2	WASHER, LOCK .25 X .062 THK	2	
25	901603-04	BOLT, HEX .25-20X.75,18-8 SS	2	
26	903412-01	WASHER,FLAT .25,SS	4	
27	266428-03	GROMMET, 1.0 DIA DIAPH .31 DIA HOLE	1	
28	211158-01	FUSE AND HOLDER ASSY, 10 AMP	1	
29	211179-01	WIRE ASSY, RING #10, 16 GA BLK, 10.5IN LG	1	
30	208153	TIE, PLASTIC 4" (18 LB)	6	
31	908022-02	PLUG, FLEXIBLE .315X.471	2	
32	908022-03	PLUG, FLEXIBLE .393X.471	1	
33	211179-02	WIRE ASSY, RING #10, 16 GA WH, 8IN LG	2	
34	905322-01	TIE,PLASTIC 8" (120LB) BLACK	6	
35	903132-01	NUT, NYL INSRT, THN .25-20, SS	2	
36	900719-05	SCREW,BUTTON.25-20 X.75 SS	2	
37	289096-01	GASKET, RUBBER, SELECTOR SWITCH	1	
38	030344	NUT, HEX HD #10-32, 6/6 NYLON	2	
39	297135-01	MAX ECU MODULE	2	

TERMINAL BLOCK BRACKET ASSEMBLY

COMPLETE ASSEMBLY:

**TERMINAL BLOCK BRACKET ASSEMBLY**

LAST UPDATED  
MAR 2024 to present



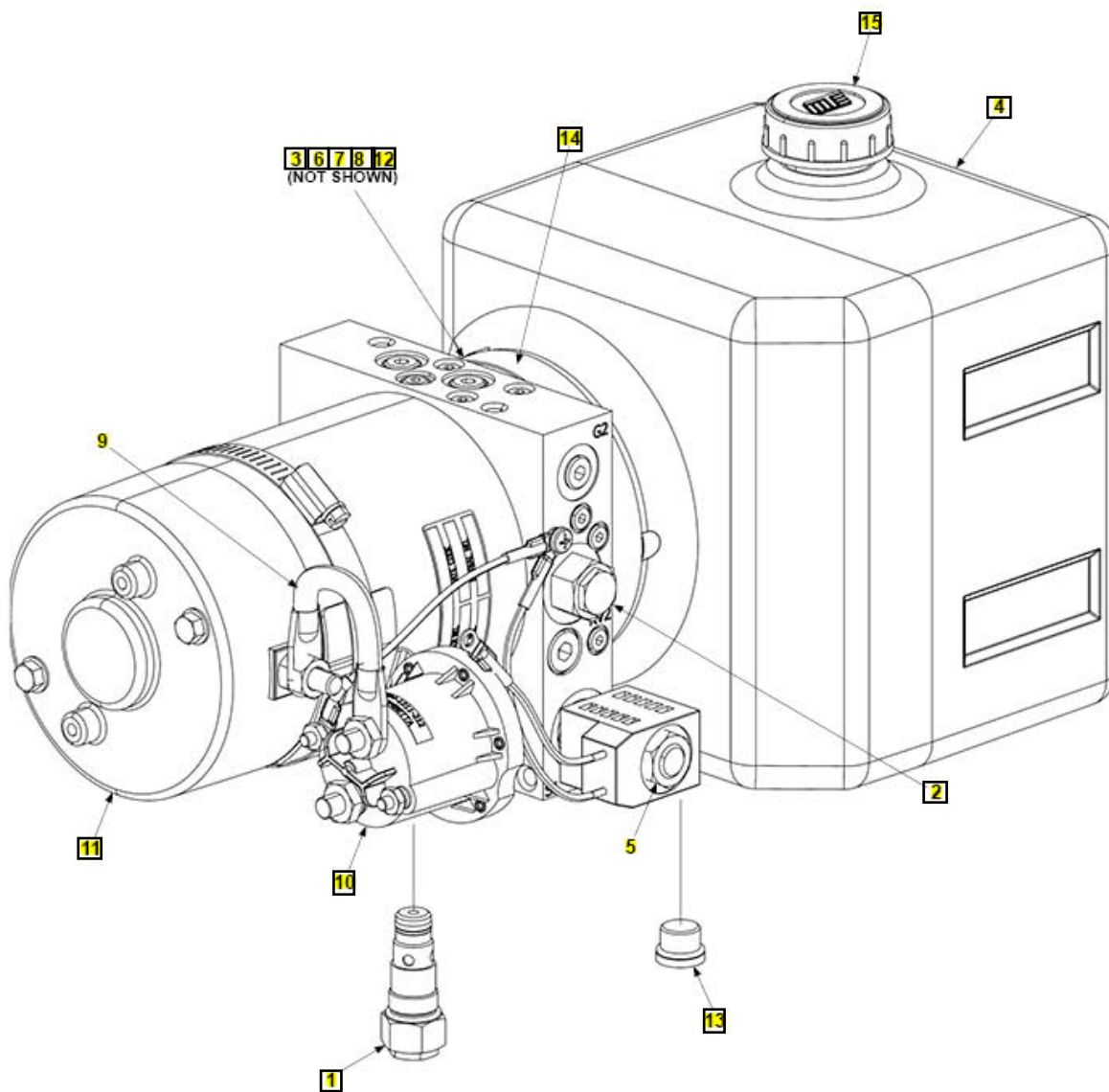
Pos	SKU	Description	Qty	Remark
REF	211175-01	BRACKET ASSY, TERM BLOCK	1	
1	211117-01	BRACKET, TERMINAL BLOCK	1	
2	907526-04	TERMINAL BLOCK, W/BUSBAR, 4 GANG	1	
3	906616-05	JUNCTION BLOCK, 12 STUD	1	
4	297269-01	DIGITAL CYCLE COUNTER	1	
5	900713-06	SCREW, BTN 6-32 X.5,SS	2	
6	900719-05	SCREW,BUTTON.25-20 X.75 SS	2	
7	900722-04	SCREW,BTN 10-24 X.63,SS	2	
8	908144-02	RUBBER GROMMET.63ID, DIA.88 X .125THK PANEL	1	
9	903129-01	NUT, NYL INSRT THIN 10-24 SS	16	
10	211174-01	FLASHER, SOLID STATE ELECTRONIC	1	
11	211173-01	DECAL, TERMINAL BLOCK, 12 POS	1	
12	900722-03	SCREW,BTN 10-24 X.5,SS	2	
13	208153	TIE, PLASTIC 4" (18 LB)	3	
14	297274-02	WIRE ASSY, POS LOCK, RING TERM,RED	1	
15	297274-01	WIRE ASSY, POS LOCK, RING TERM,BLK	1	
16	903444-01	WASHER, FLAT #10, SS	4	
17	903112-01	NUT, NYL INSRT STP 6-32 ZC	2	
18	903412-01	WASHER,FLAT .25,SS	2	
19	903132-01	NUT, NYL INSRT, THN .25-20, SS	2	
20	211187-01	DECAL, GROUND TERMINALS	1	

12 VDC POWER UNIT

COMPLETE ASSEMBLY:

**12 VDC POWER UNIT**

LAST UPDATED  
MAR 2024 to present



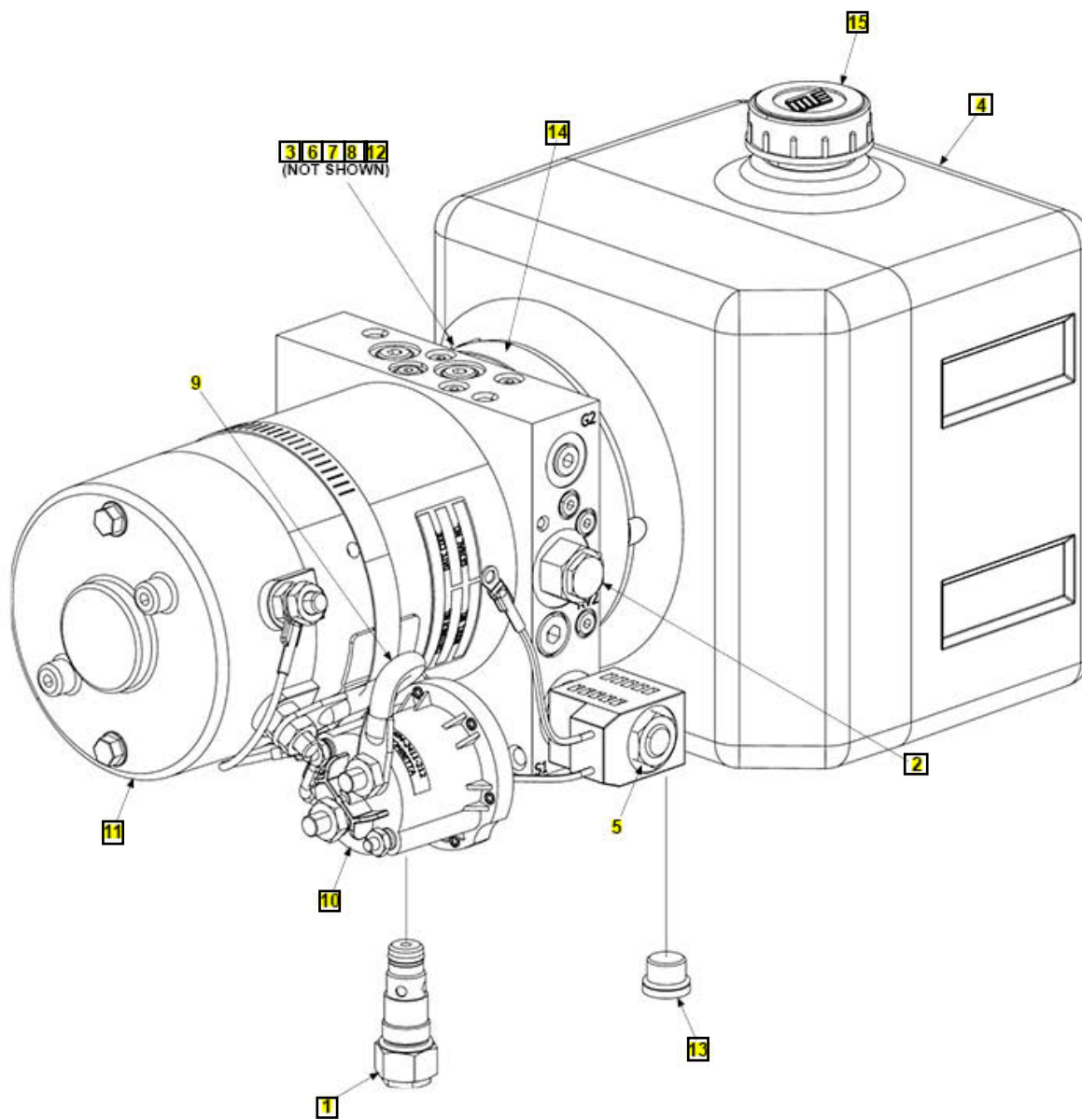
Pos	SKU	Description	Qty	Remark
REF	210362-01	12 VDC POWER UNIT,P/D	1	
1	906738-02	CARTRIDGE RELIEF VALVE, HP	1	
2	290285	RELIEF VALVE	1	
3	290286	INLET AND RETURN PLUMBING ASSEMBLY	1	
4	290287	RESERVOIR ASSEMBLY,1.27 GALLON	1	
6	290288	FILTER ASSEMBLY,INLET,MAX VOLUME	2	
7	296017-01	COUPLING, OLDHAM	1	
8	290289	PUMP PRESSURE LOADED,2.7 CC/REV. INTERNAL	1	
10	284080-01	SWITCH, SOLENOID ASSY	1	
11	290175-01	12 VOLT D.C. MOTOR W/OUT TERM SW	1	
12	290292	O-RING,2-240,BUNA-N,70 DURO	1	
13	290293	PLUG,9/16 SAE SOCKET HEAD	1	
14	290295	CLAMP,BEND,HI-TORQUE	1	
15	290296	BREATHER,G3/4,DIPSTICK	1	

24 VDC POWER UNIT

COMPLETE ASSEMBLY:

**24 VDC POWER UNIT**

LAST UPDATED  
MAR 2024 to present



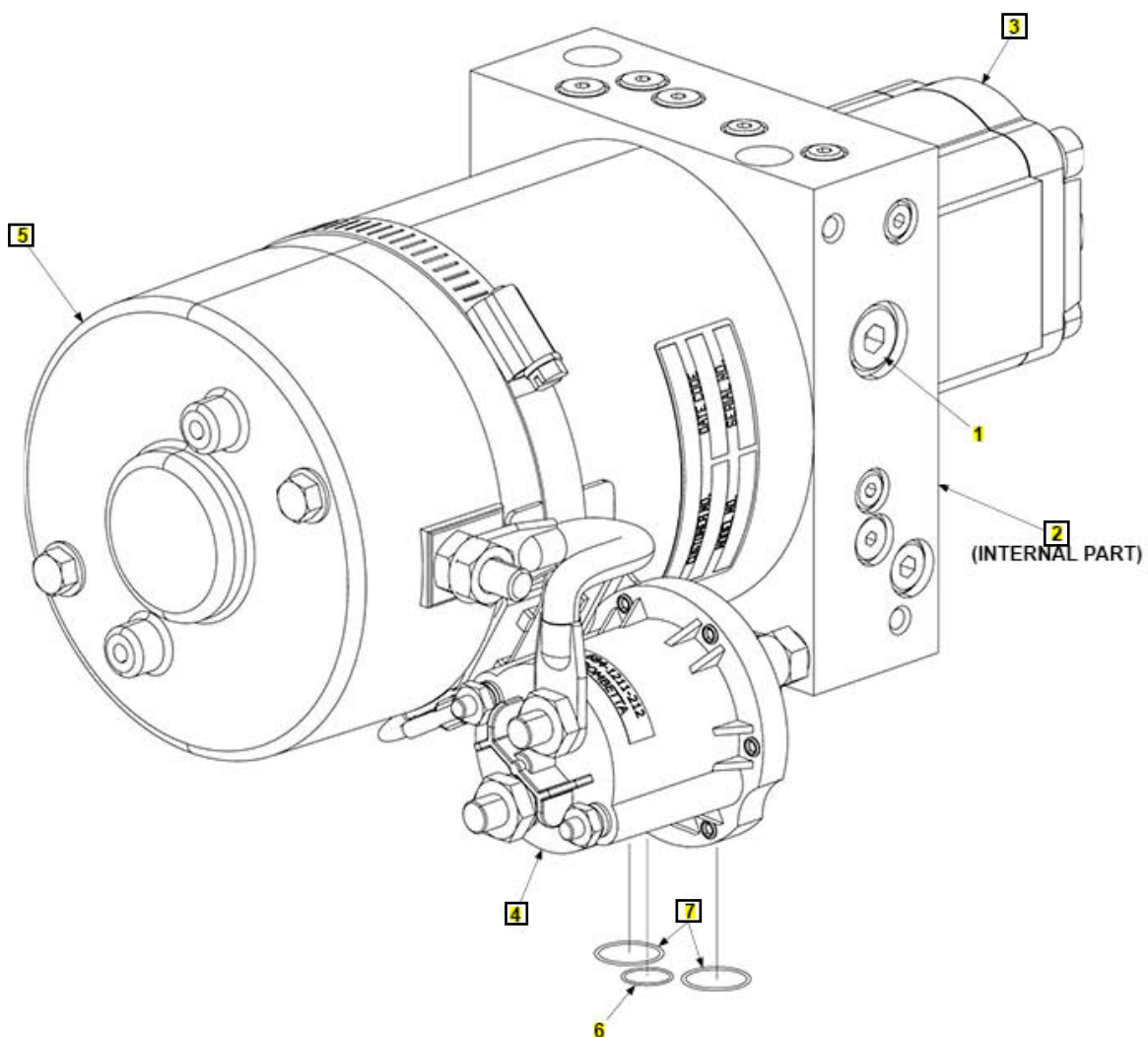
Pos	SKU	Description	Qty	Remark
REF	210362-24	24 VDC POWER UNIT,P/D	1	
1	906738-02	CARTRIDGE RELIEF VALVE, HP	1	
2	290285	RELIEF VALVE	1	
3	290286	INLET AND RETURN PLUMBING ASSEMBLY	1	
4	290287	RESERVOIR ASSEMBLY,1.27 GALLON	1	
6	290288	FILTER ASSEMBLY,INLET,MAX VOLUME	2	
7	296017-01	COUPLING, OLDHAM	1	
8	290289	PUMP PRESSURE LOADED,2.7 CC/REV. INTERNAL	1	
10	284080-02	SWITCH, SOLENOID ASSY, 24VDC	1	
11	290176-01	(SAME AS 281573-01) 24VDC MOTOR W/OUT TERM SW	1	
12	290292	O-RING,2-240,BUNA-N,70 DURO	1	
13	290293	PLUG,9/16 SAE SOCKET HEAD	1	
14	290295	CLAMP,BEND,HI-TORQUE	1	
15	290296	BREATHER,G3/4,DIPSTICK	1	

### DUAL 12 VDC POWER UNIT

COMPLETE ASSEMBLY:

**DUAL 12 VDC POWER UNIT**

LAST UPDATED  
MAR 2024 to present



---

Pos	SKU	Description	Qty	Remark
REF	210363-01	12 VDC POWER UNIT,AUXILLIARY PUMP	1	
2	296017-01	COUPLING, OLDHAM	1	
3	296016-01	PUMP, 203.1, PRESSURE LOADED	1	
4	284080-01	SWITCH, SOLENOID ASSY	1	
5	290175-01	12 VOLT D.C. MOTOR W/OUT TERM SW	1	
7	269586-01	O-RING, MANIFOLD	2	

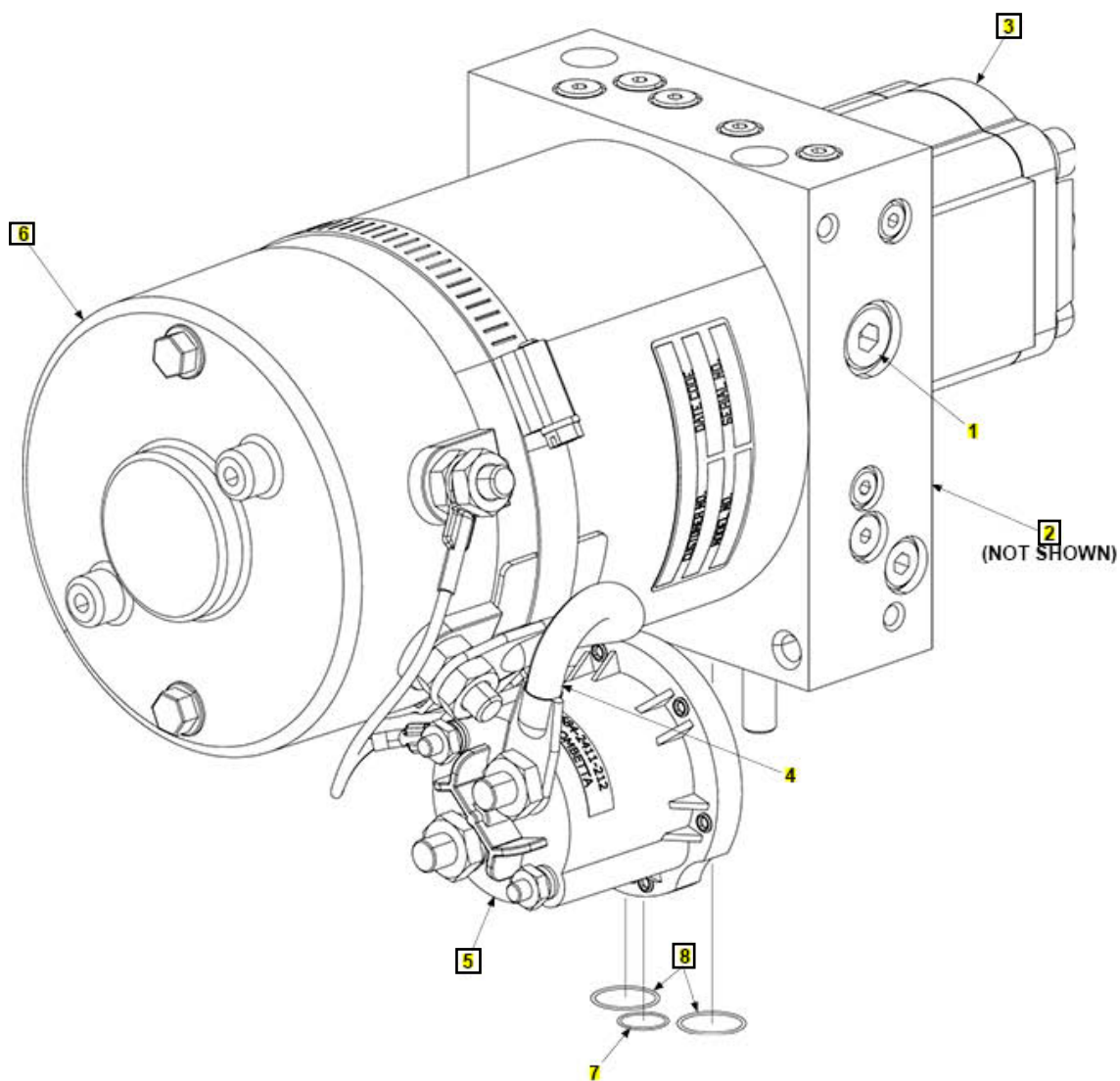
---

### DUAL 24 VDC POWER UNIT

COMPLETE ASSEMBLY:

**DUAL 24 VDC POWER UNIT**

LAST UPDATED  
MAR 2024 to present



---

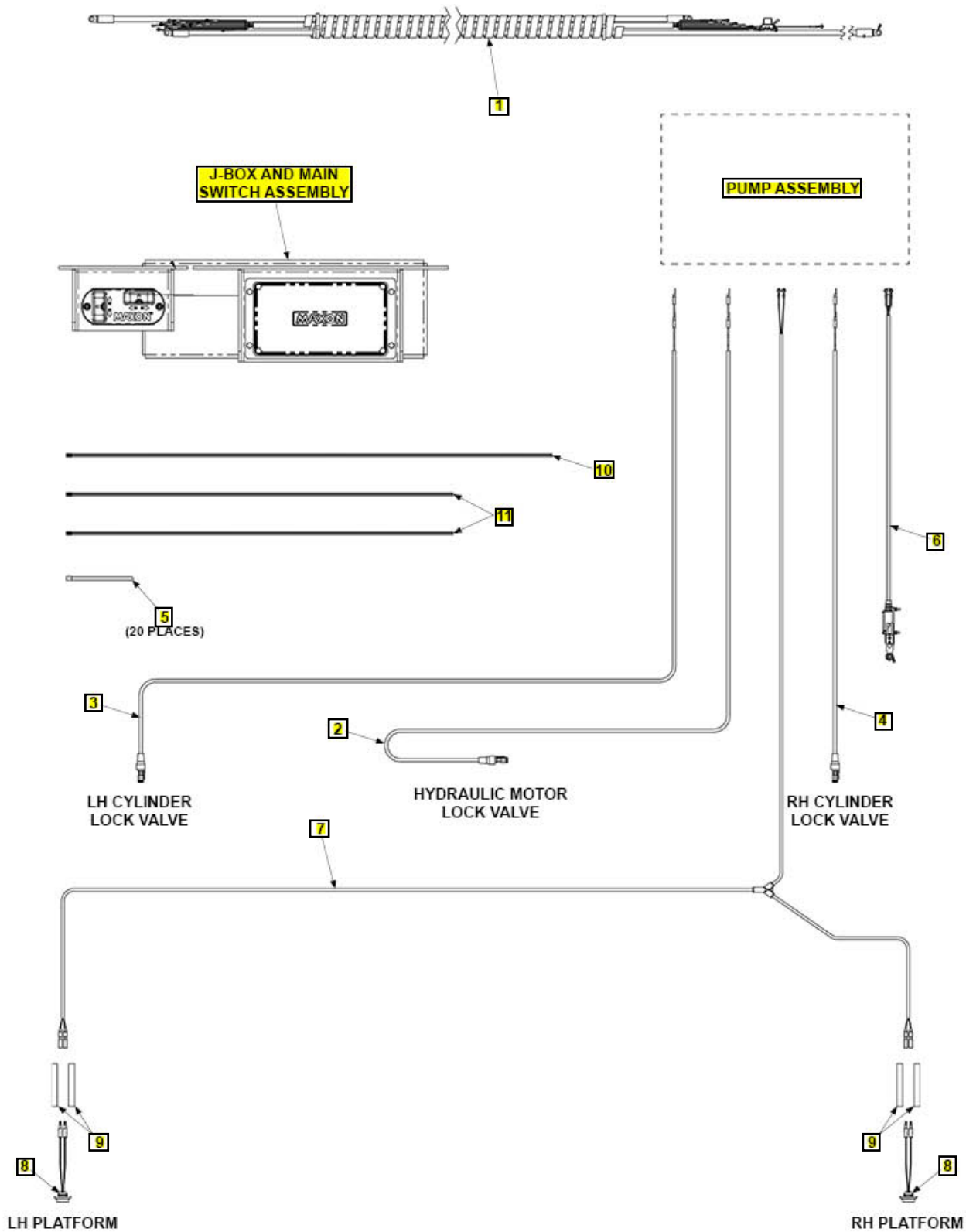
Pos	SKU	Description	Qty	Remark
REF	210363-24	24 VDC POWER UNIT, AUXILLIARY PUMP	1	
2	296017-01	COUPLING, OLDHAM	1	
3	296016-01	PUMP, 203.1, PRESSURE LOADED	1	
5	284080-02	SWITCH, SOLENOID ASSY, 24VDC	1	
6	290176-01	(SAME AS 281573-01) 24VDC MOTOR W/OUT TERM SW	1	
8	269586-01	O-RING, MANIFOLD	2	

---

ELECTRICAL SYSTEMS

COMPLETE ASSEMBLY:  
**ELECTRICAL SYSTEMS**  
 (PUMP ASSEMBLY NOT INCLUDED)

LAST UPDATED  
 MAR 2024 to present



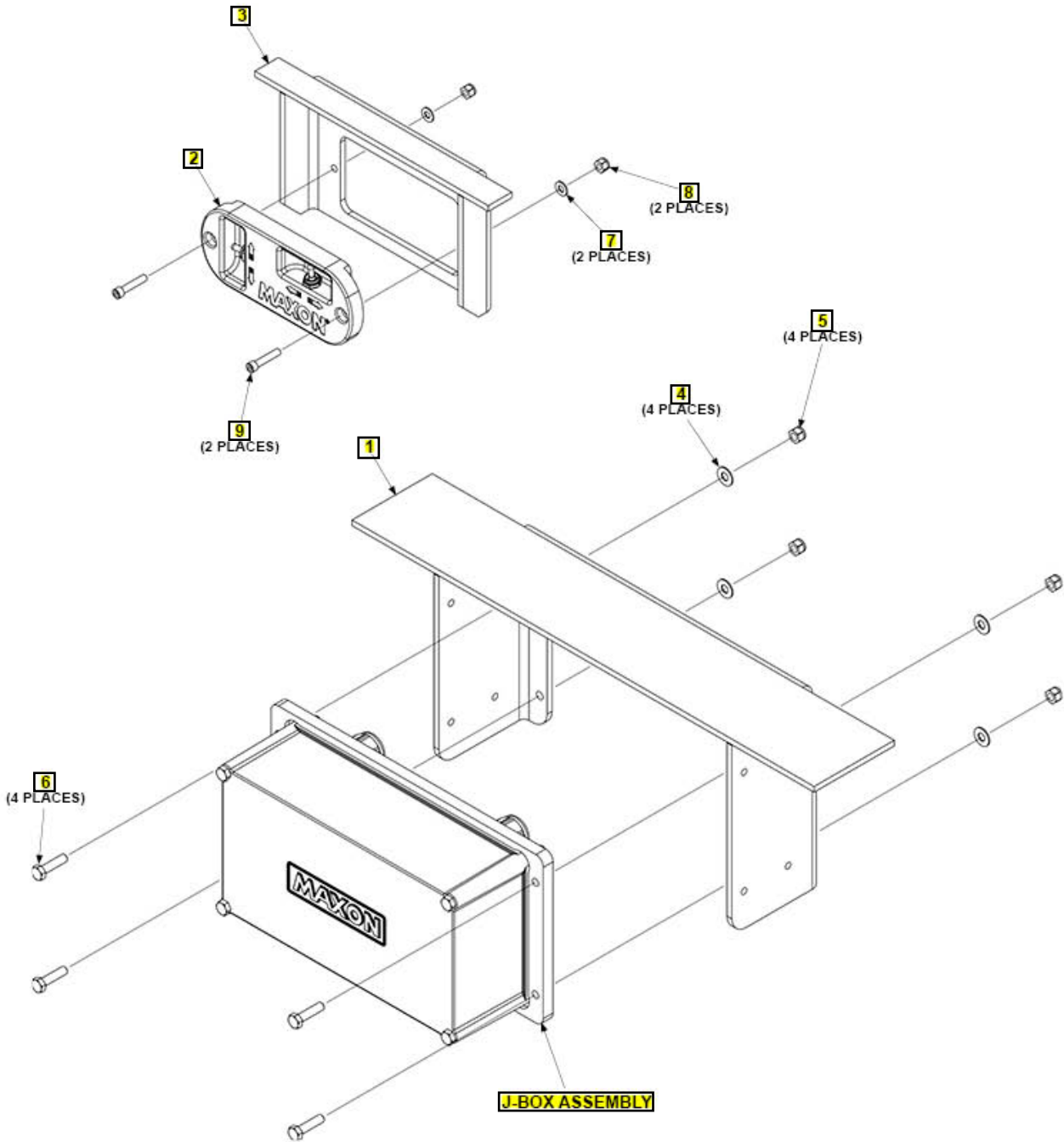
Pos	SKU	Description	Qty	Remark
REF	287890-01	ELECTRICAL ASSY, 12 V, G/D, 20FT, GPSLR	1	
REF	287890-01-24	ELECTRICAL ASSY, 24 V, G/D, 20FT, GPSLR	1	
REF	287890-02	ELECTRICAL ASSY, 12 V, P/D, 20FT, GPSLR	1	
REF	287890-02-24	ELECTRICAL ASSY, 24 V, P/D, 20FT, GPSLR	1	
1	211141-02	CABLE ASSY, FLEXIBLE LOOP, 20FT LG	1	
2	282625-26	CABLE ASSY, LOCK VALVE, 16/2X65	1	
3	282625-27	CABLE ASSY, LOCK VALVE, 16/2X120	1	
4	282625-07	CABLE ASSY, LOCK VALVE, 16/2X56	1	
5	905322-01	TIE, PLASTIC 8" (120LB) BLACK	20	
6	287838-01	PROX SENSOR ASSY, SLIDER STOW SIGNAL, LONG	1	
7	289363-01	HARNESS, PF STOW LIGHTS	1	
8	907111-01	LIGHT, EMERGENCY WARNING, AMBER	2	
9	268041-02	TBG, HT-SHRINK, ADH LNG, 4" LG	4	
10	907011-10	LOOM, SPLIT-NYLON, .25IDX78IN LG	1	
11	907011-11	LOOM, SPLIT-NYLON, .25IDX36IN LG	2	

### J-BOX AND MAIN SWITCH ASSEMBLY

COMPLETE ASSEMBLY:

**J-BOX AND MAIN SWITCH ASSEMBLY**

LAST UPDATED  
MAR 2024 to present



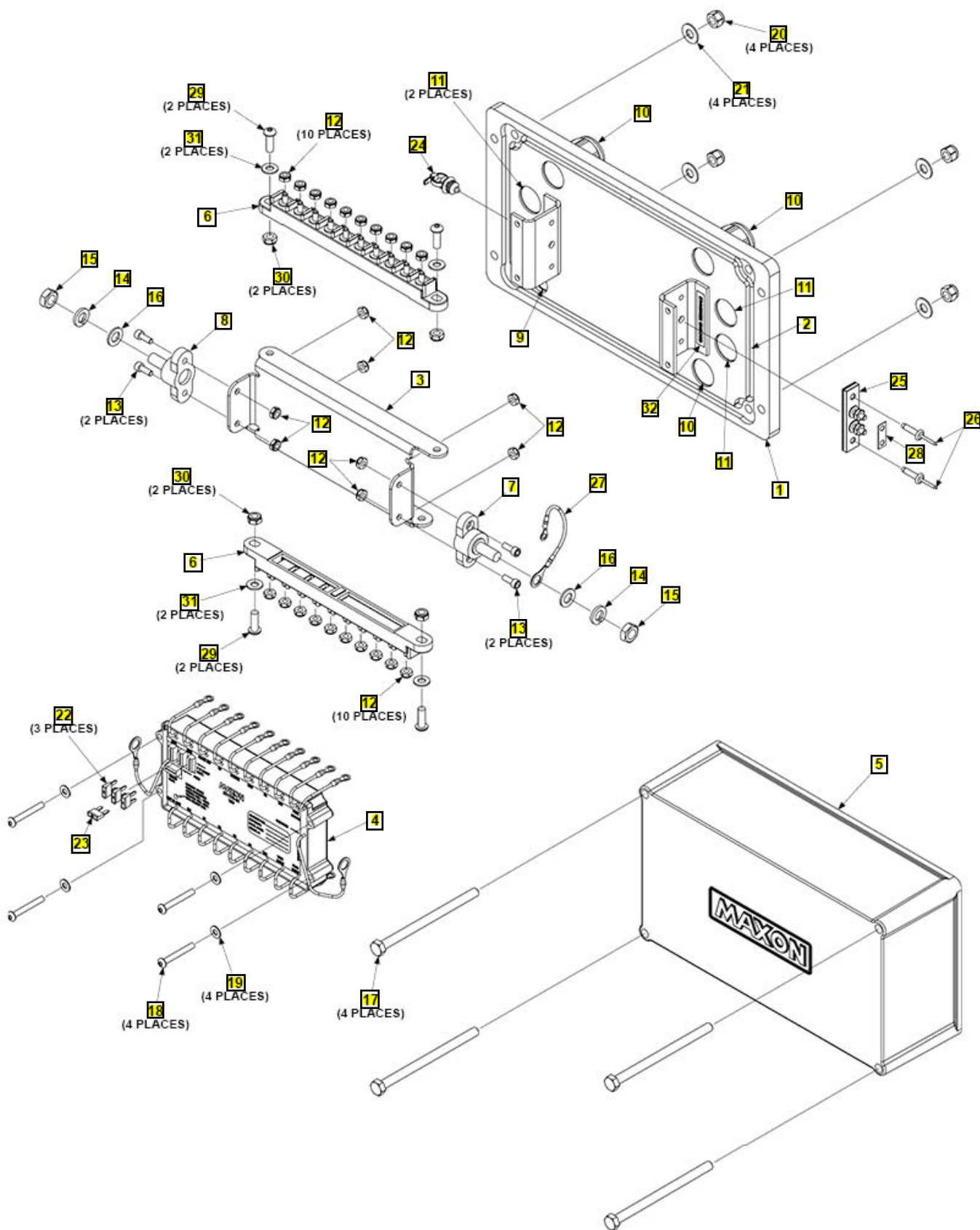
Pos	SKU	Description	Qty	Remark
REF	288660-03	J-BOX & MAIN SW ASSY, 10FT CBL, 12 V, G/DN	1	
REF	288660-03-24	J-BOX & MAIN SW ASSY, 10FT CBL, 24 V, G/DN	1	
REF	288660-04	J-BOX & MAIN SW ASSY, 10FT CBL, 12 V, P/DN	1	
REF	288660-04-24	J-BOX & MAIN SW ASSY, 10FT CBL, 24 V, P/DN	1	
1	211181-01G	BRACKET, JUNCTION BOX MOUNT, GAL	1	
2	289001-01	SWITCH, MAIN CONTROL, 120IN LG	1	
3	289134-01G	BRACKET, CONTROL SWITCH MOUNT, GAL	1	
4	902000-7	WASHER, FLAT .312 .032 THK	4	
5	901001	NUT, NYLON 5/16-18 ZINC	4	
6	900009-5	SCREW, CAP 5/16-18X1-1/4 G8 ZC	4	
7	902000-2	WASHER, FLAT 1/4X1/32	2	
8	901000	NUT, NYLON 1/4-20 ZINC	2	
9	900025-5	SCREW, SOC 1/4-20X1-1/4 ALLOY	2	

### J-BOX ASSEMBLY

COMPLETE ASSEMBLY:

**J-BOX ASSEMBLY**

LAST UPDATED  
MAR 2024 to present

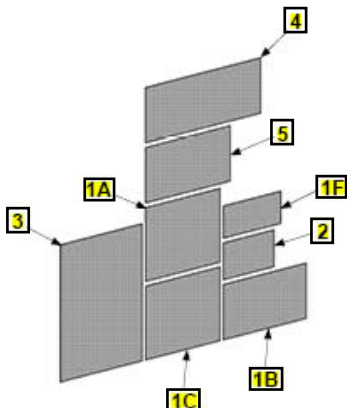


Pos	SKU	Description	Qty	Remark
REF	211160-01	J-BOX ASSY, 12 VDC, G/DN, SLIDER	1	
REF	211160-01-24	J-BOX ASSY, 24 VDC, G/DN, SLIDER	1	
REF	211160-02	J-BOX ASSY, 12 VDC, P/DN, SLIDER	1	
REF	211160-02-24	J-BOX ASSY, 24 VDC, P/DN, SLIDER	1	
1	211162-01	BACK PLATE WLDMT, J-BOX	1	
2	211156-01	O-RING, J-BOX SEAL	1	
3	211169-01	BRACKET, PCB MOUNTING	1	
4	211170-01	RELAY CONTROLLER, 12V, SLIDER	1	
4	211170-24	RELAY CONTROLLER, 24V, SLIDER	1	
5	211155-01	COVER, JUNCTION BOX	1	
6	906616-03	JUNCTION BLOCK, 10 STUD	2	
7	906881-02	BLACK 3/8 JUNCTION STUD	1	
8	906881-01	RED 3/8 JUNCTION STUD	1	
9	907520-04	CORD GRIP, PLASTIC, M20-1.5, W/OUT NUT	1	
10	211166-01	CORD GRIP ASSY, 3 HOLES, PG21	3	
11	907520-06	CORD GRIP, PLASTIC, PG21, W/OUT NUT	4	
12	903129-01	NUT, NYL INSRT THIN 10-24 SS	28	
13	900832-02	SCREW, SOCKET HEAD, 10-24X.5, SS	4	
14	902011-4	WASHER, LOCK 3/8X.094 ZC	2	
15	903107-02	NUT, HEX .375-16 UNC SS	2	
16	902028-6	WASHER,FLAT .687 OD X .388 ID	2	
17	901602-21	BOLT, HEX .313-18X4.75,18-8 SS	4	
18	900722-09	SCREW,BTN 10-24 X1.5,SS	4	
19	902000-5	WASHER, FLAT #10.032 THK	4	

Pos	SKU	Description	Qty	Remark
20	903106-10	NUT, NYL INSRT STOP.313 -18 SS	4	
21	903409-02	WASHER,FEND .34 X.75OD,SS	4	
22	907199-02	MINI BLADE FUSE 2 AMP	3	
23	907199-15	MINI BLADE FUSE 15 AMP	1	
24	907448-01	8IN CABLE TIE,PUSH TO MOUNT, 50LB, .03-.28 PNL	1	
25	907532-02	TERMINAL BLOCK SNGL ROW, 2 P, #10-32	1	
26	904002-1	RIVET, BLIND .19X.7 DOME	2	
27	211159-01	WIRE ASSY, RING, #10/.38, BLACK	1	
28	297272-02	JUMPER, 260 BRASS .015IN, .63	1	
29	900719-05	SCREW,BUTTON.25-20 X.75 SS	4	
30	903132-01	NUT, NYL INSRT, THN .25-20, SS	4	
31	903412-01	WASHER,FLAT .25,SS	4	
32	211187-01	DECAL, GROUND TERMINALS	1	

DECALS

LAST UPDATED  
MAR 2024 to present



1

**CAUTION**  
Always stand clear of platform area.

**WARNING**  
Read this information carefully  
Improper operation of this liftgate can result in serious personal injury. If you do not have a copy of the operating instructions, please obtain them from your employer, distributor, or dealer before you attempt to operate the liftgate.  
If there are signs of improper maintenance, damage to vital parts, or slippery platform surface, do not use the liftgate until these problems have been corrected.  
If you are using a pallet jack, be sure it can be maneuvered safely.  
Do not operate a forklift on the platform.  
Do not allow any part of your or your helper's body to be placed under, within, or around any portion of the moving liftgate, its mechanism, or in a position that would trap them between the platform and the ground or truck when the liftgate is extended.  
If a helper is riding the platform with you, make sure you are both doing so safely and that you are not in danger of coming in contact with any moving or potentially moving obstacle.  
**USE GOOD COMMON SENSE.**  
If load appears to be unsafe, do not lift or lower it.

**SAFETY INSTRUCTIONS**  
Read all decals and operation manual before operating liftgate.  
1. Do not use liftgate unless you have been properly instructed and have read, and are familiar with, the operating instructions.  
2. Be certain vehicle is properly and securely braked before using the liftgate.  
3. Always inspect this liftgate for maintenance or damage before using it. Do not use liftgate if it shows any sign of damage or improper maintenance.  
4. Do not overlift.  
5. Make certain the area in which the platform will open and close is clear before opening or closing the platform.  
6. Make certain platform area, including the area in which loads may fall from platform, is clear before and at all times during operation of liftgate.  
7. This liftgate is intended for loading and unloading of cargo only. Do not use the liftgate for anything but its intended use.

**WARNING**  
Liftgate hazards can result in crushing or falling.  
Keep hands and feet clear of pinch points.  
If riding liftgate, make sure load is stable and footing is solid.  
Read and understand all instructions and WARNINGS before use.

6

**WARNING**  
When unloading & stowing platform, stay clear of bumpers.

**WARNING**  
To avoid injury stay out of the path when the platform is vehicle. Hold back when the safe.

**WARNING**  
To avoid possible injury and damage to equipment, never stand on lift arms, parallel arms, or bottom side of platform.

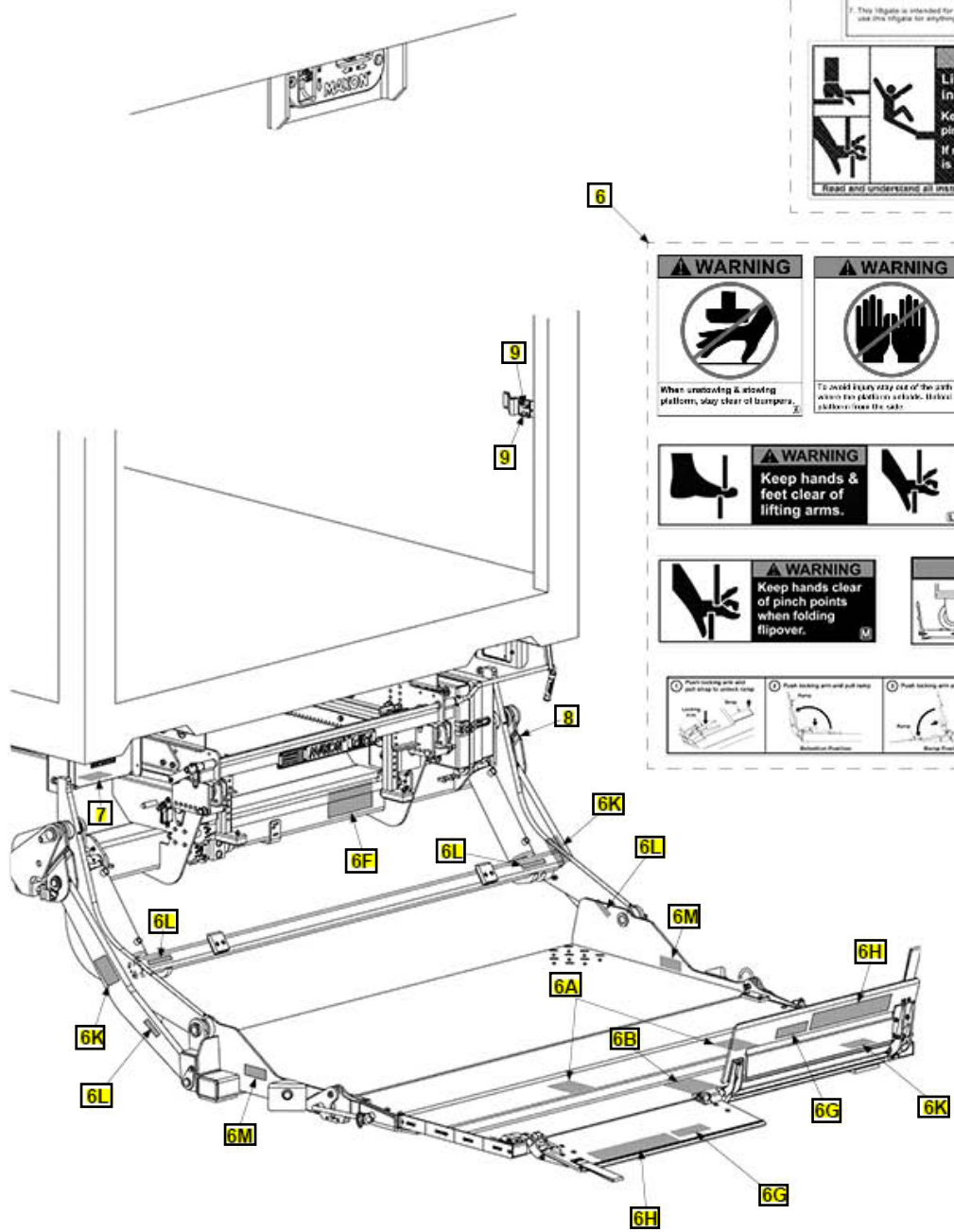
**WARNING**  
Keep hands & feet clear of lifting arms.

**WARNING**  
To prevent personal injury & equipment damage, avoid working under the platform while platform is raised off the ground. Refer to Maintenance Manual for additional safety instructions.

**WARNING**  
Keep hands clear of pinch points when folding flipover.

**WARNING**  
To prevent personal injury & damaged equipment, ramp must be in extension position when cart is being raised or lowered on platform.

Push locking arm and pull strap to attach ramp.  
Push locking arm and pull ramp.  
Push locking arm and pull ramp.  
Push ramp.  
Push ramp.



Pos	SKU	Description	Qty	Remark
1	282522-01	DECAL SHEET,SM WARN & CAUTION	1	
2	220388-04	DECAL 3500# CAPACITY	1	
2	253155	DECAL 4400# CAPACITY 2X3.75	1	
2	253161	DECAL 5500# CAPACITY 2X3.75	1	
3	283024-03	DECAL, OPER INSTR, GPSLR & RA	1	
4	282682-05	DECAL, CAUTION, SLIDER POSN	1	
5	282683-05	DECAL, CAUTION, CLEARANCE	1	
6	267432-03	DECAL SHEET,GPSLR & RA	1	
7	283023-01	DECAL, WARNING, BATTERY JUMP	1	
8	299349-04	DECAL, QR CODE, COMMON GPSLR	1	
9	299038-01	DECAL, SHEET, UP AND DOWN BILINGUAL	1	