
DMD-TT-21-03

Table of Contents

Book Page	Page Number
Final Assembly Menu	3
Final Assembly	4
Final Assembly 2025 10	6
Final Assembly 2023 08	8
Main Assembly	10
Main Assembly 2025 10	13
Main Assembly 2023 08	17
LH Runner Assembly	20
LH Runner Assembly 2025 10	22
RH Runner Assembly	24
RH Runner Assembly 2025 10	26
Platform Flipover with Rail	28
Platform Flipover with Rail 2025 10	30
Platform Flipover with Rail 2023 08	32
Platform Flipover	34
Platform Flipover 2025 10	36
Platform Flipover 2023 08	38
Platform Rail	40
Platform Rail 2025 10	43
Platform Rail 2023 08	46
Platform CS	49
Platform CS 2025 10	52
Platform	55
Platform 2025 10	57

Flipover SCS	59
Flipover SCS 2023 08	61
LH Rail Assembly	63
LH Rail Assembly 2023 08	65
RH Rail Assembly	67
RH Rail Assembly 2023 08	69
Torsion Bar Kit	71
Chain Assembly	73
Cover Assembly 6 Lights	75
Hydraulic Systems	77
Electrical Systems Standard	81
Electrical Systems Above Bed	83
12 VDC	85
24 VDC	88
Decals	91

DMD-TT

FINAL ASSEMBLY

Final Assembly (November 2025 to present)

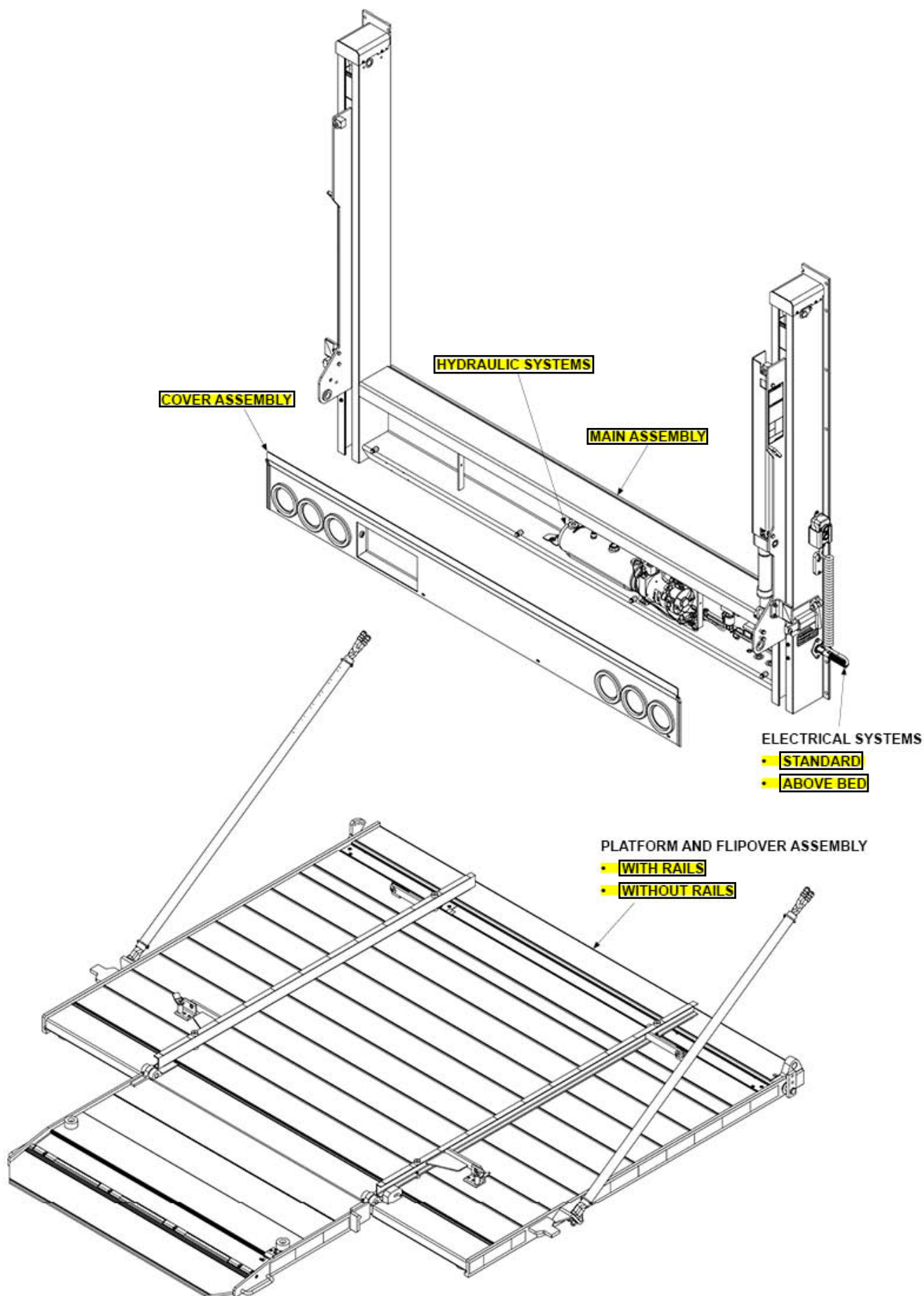
Final Assembly (September 2023 to October 2025)

Final Assembly (October 2022 to August 2023)

Pos	SKU	Description	Qty	Remark
-----	-----	-------------	-----	--------

FINAL ASSEMBLY

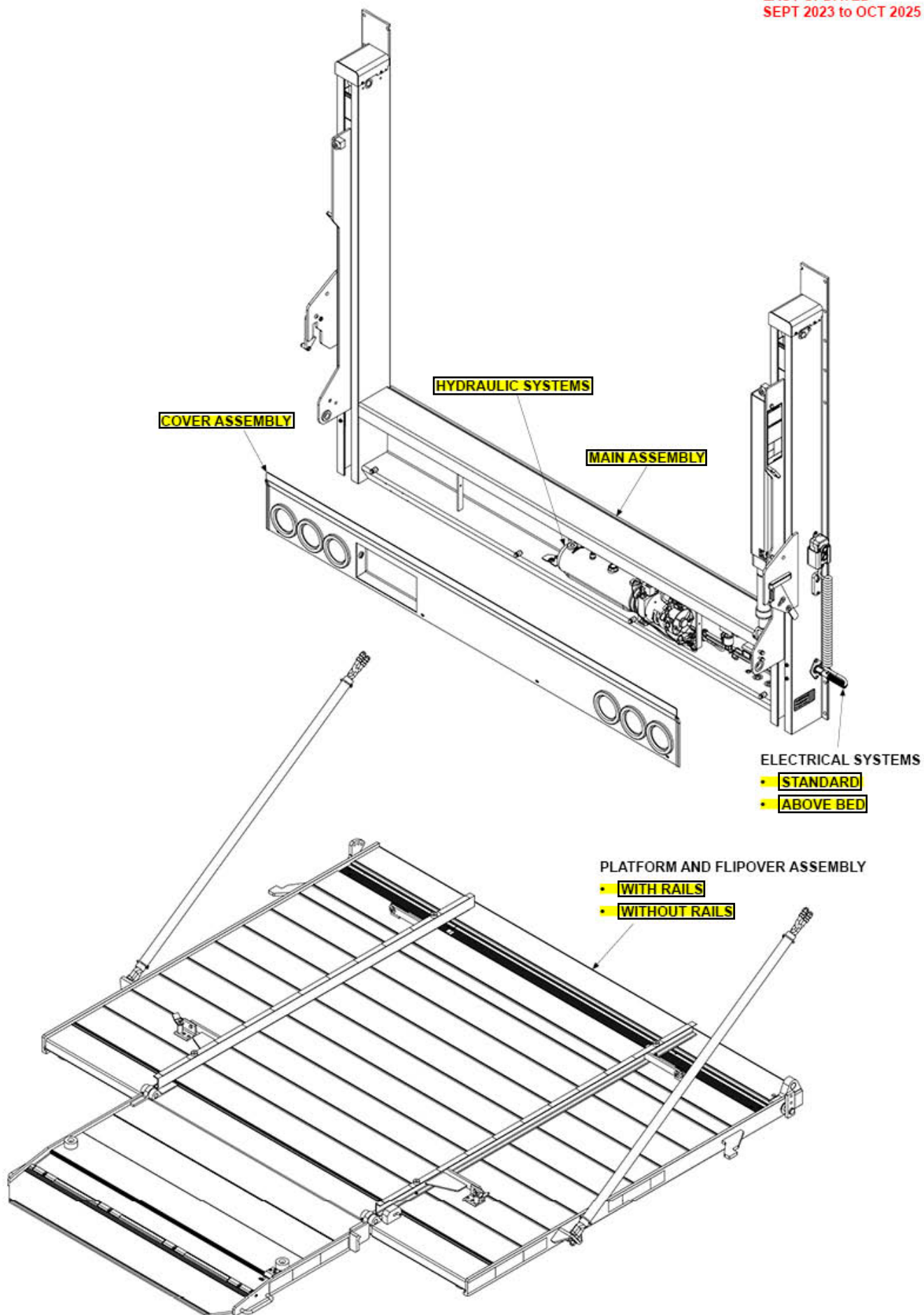
LAST UPDATED
NOV 2025 to present



Pos	SKU	Description	Qty	Remark
-----	-----	-------------	-----	--------

FINAL ASSEMBLY

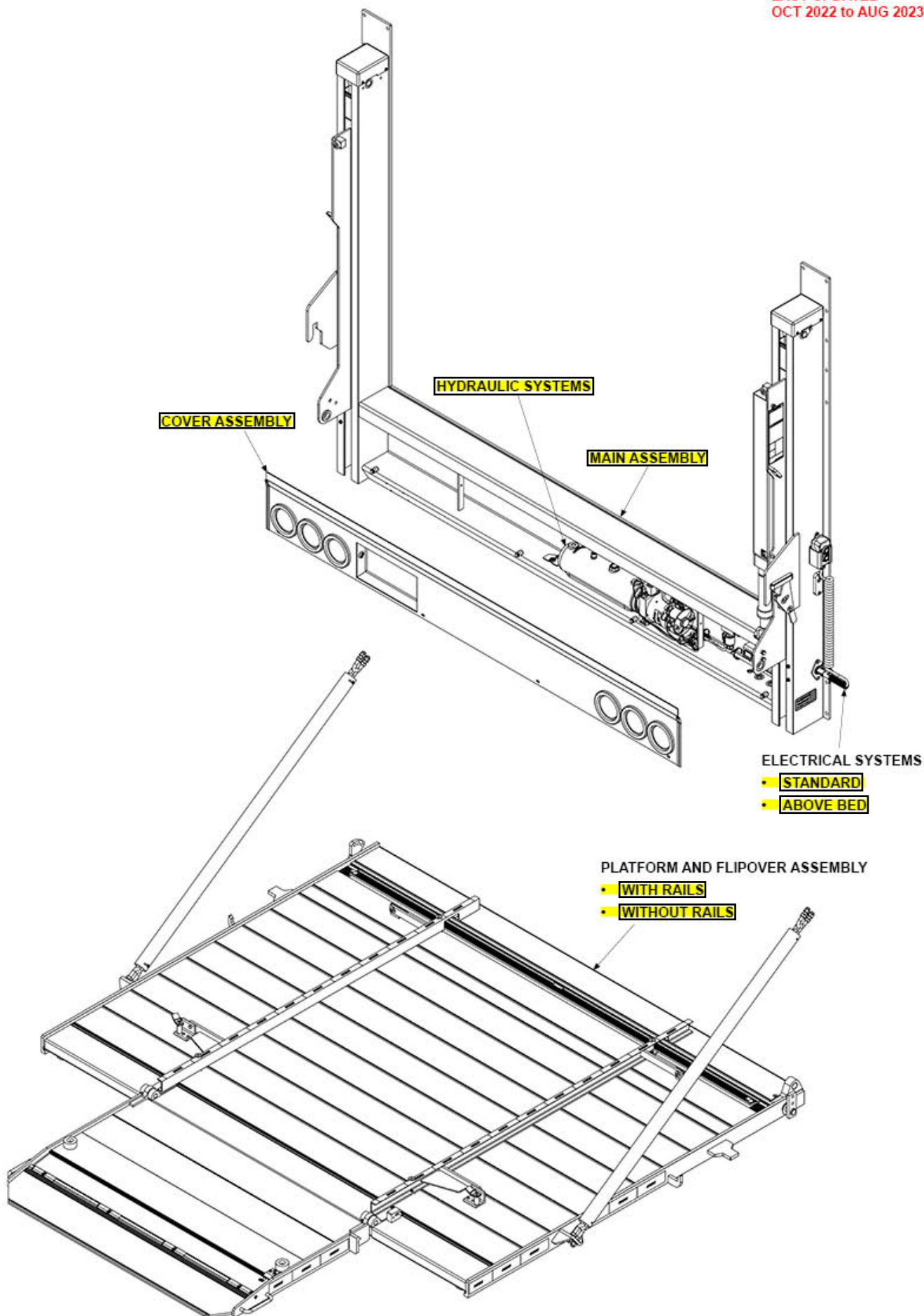
LAST UPDATED
SEPT 2023 to OCT 2025



Pos	SKU	Description	Qty	Remark
-----	-----	-------------	-----	--------

FINAL ASSEMBLY

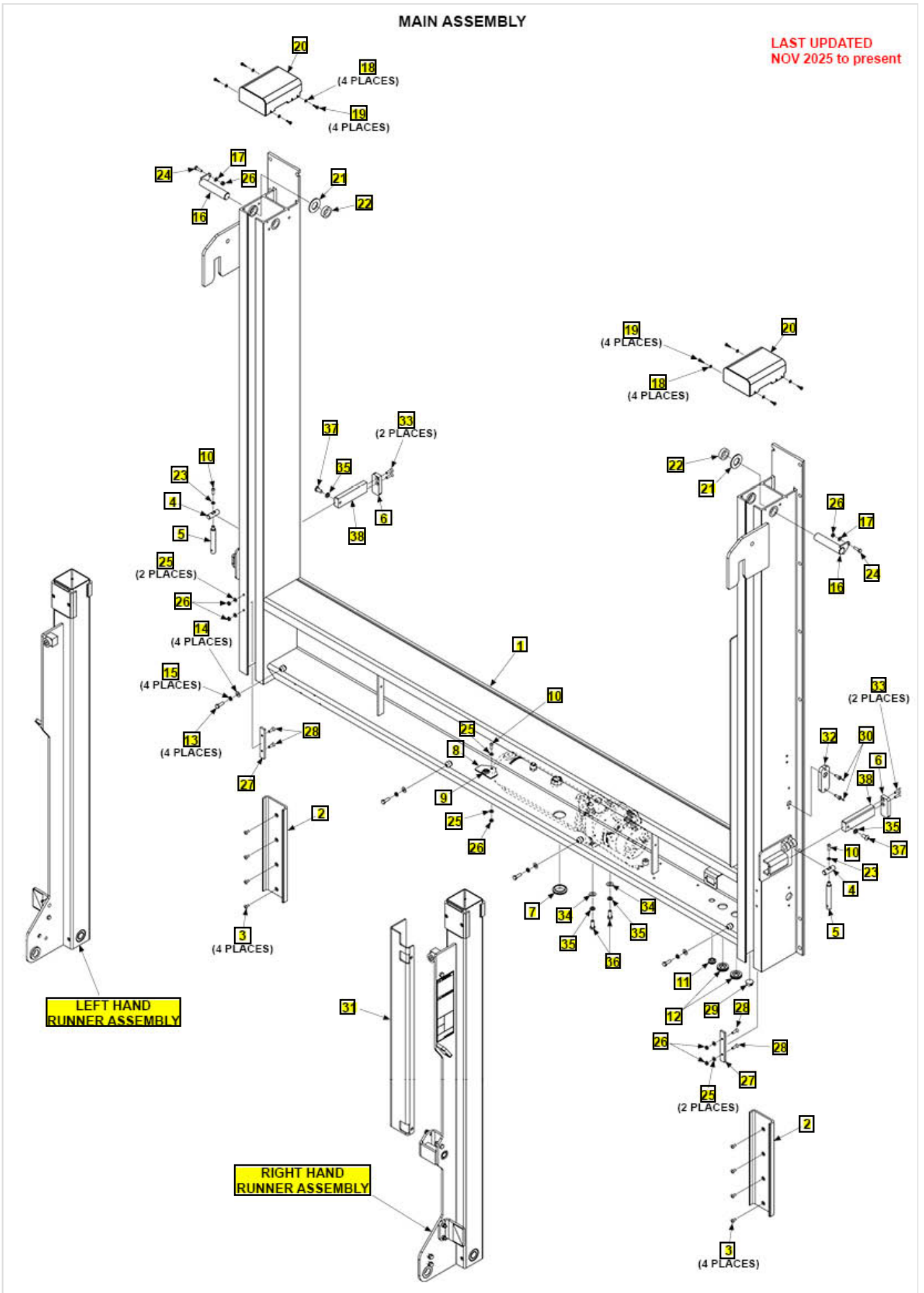
LAST UPDATED
OCT 2022 to AUG 2023



Pos	SKU	Description	Qty	Remark
-----	-----	-------------	-----	--------

MAIN ASSEMBLY

LAST UPDATED
NOV 2025 to present

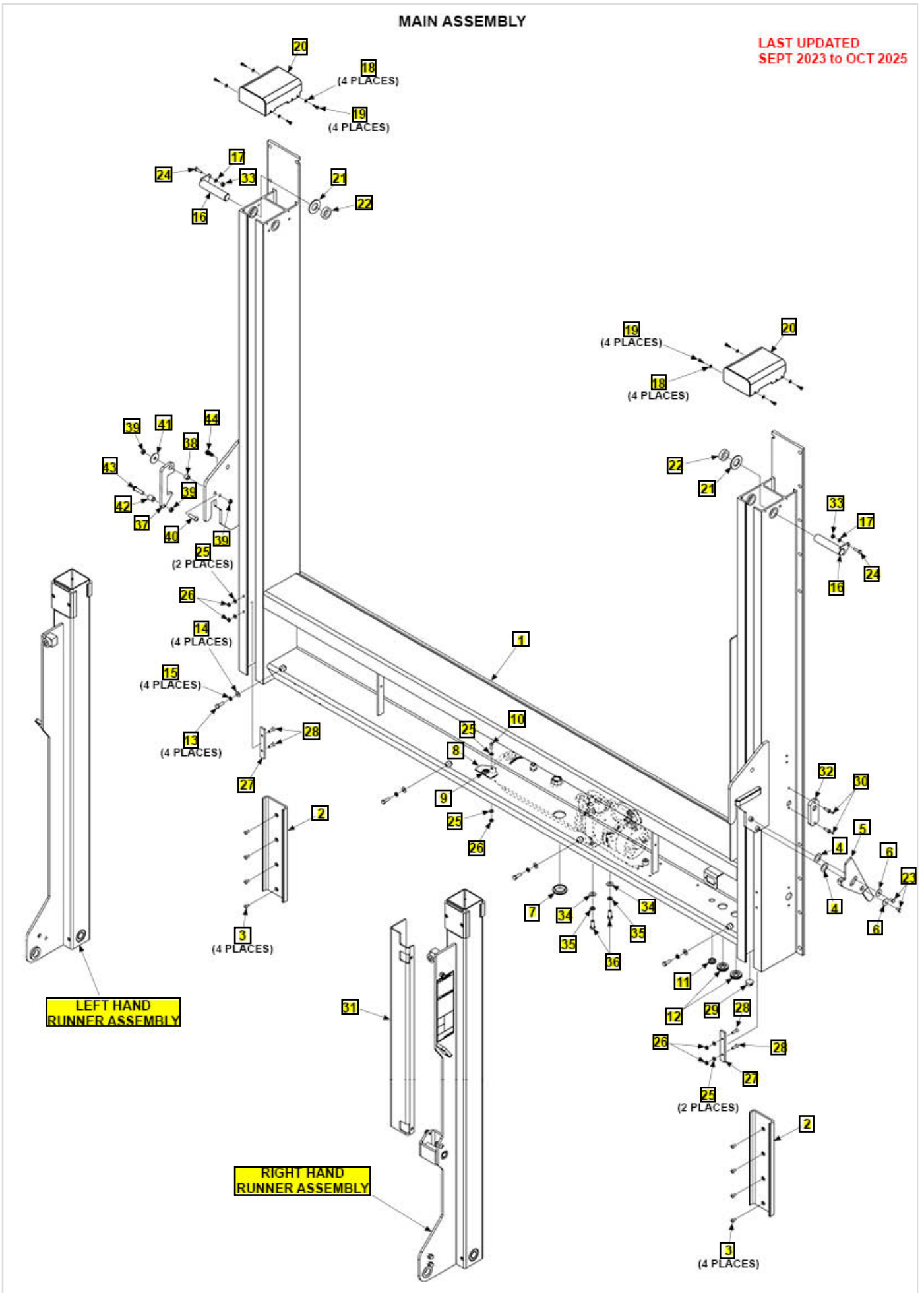


Pos	SKU	Description	Qty	Remark
1	230569-102-1.25	AL MF WLDMT, 102HC-1.25AB, LDV-DMD	1	
1	230569-99-3.5	AL MF WLDMT, 99HC-3.5AB, LDV-DMD	1	
1	230579-102-STD	AL MF WLDMT, 102HC-STD, LDV-DMD	1	
1	230579-99-STD	AL MF WLDMT, 99HC-STD, LDV-DMD	1	
2	296983-101	COLUMN WEAR PAD, 15.0" LG	2	
3	5-05019-01	AVDEL MONOBOLT FASTENER	8	
4	230588-01	SS LOCK HINGE ROD,PF LATCH,TT-DMD	2	
5	230576-01	SST LOCK HANDLE, PF LATCH, TT-DMD	2	
6	230578-01	AL PF LATCH HANDLE, TT-DMD	2	
7	269354	GROMMET, 1.375" ID	1	
8	286396-03	COVER PLATE, ALUM	1	
9	281068-04	GROMMET, MODIFIED, .5 HOLE W. SLIT	1	
10	900719-05	SCREW,BUTTON.25-20 X.75 SS	3	
11	908028-01	GROM PVC .75IDX.13GR.WD	1	
12	266428-06	GROMMET, 1.0 DIAPH .56 HOLE	2	
13	901602-06	BOLT,HEX .313-18X1.00,18-8 SS	4	
14	903409-02	WASHER,FEND .34 X.75OD,SS	4	
15	902019-4	WASHER,LOCK S/ST .583ODX.322ID	4	
16	296990-02	SST PIN WELDT, CYL TOP, DMD	2	
17	903412-01	WASHER,FLAT .25,SS	2	
18	903444-01	WASHER, FLAT #10, SS	8	
19	030453-01	SCREW TAPPING #10X3/4 ZC	8	

Pos	SKU	Description	Qty	Remark
20	209357-01	COLUMN COVER WLDMNT, TT DMD	2	
21	902013-18	WASHER, FLAT 2X1-1/16X9/64 ZC	2	
22	283211-03	CYLINDER SPACER, 0.44IN LG	2	
23	902019-3	WASHER, LOCK S/ST .487ODX.260ID	2	
24	901603-06	BOLT, HEX .250-20X1, 18-8 SS	2	
25	903412-01	WASHER, FLAT .25, SS	6	
26	903132-01	NUT, NYL INSRT, THN .25-20, SS	7	
27	298001-01	COLUMN FRONT PAD, .25X.75X4.75" LG	2	
28	900711-04	SCREW, SOC FL .25-20X.88 SS	4	
29	908081-04	PLUG, NYLON, FOR .88DIA HOLE	1	
30	903705-05	RIVET, BLD, DOME, AL/ST .25DIA X.98	2	
31	210826-101	AL. RUNNER HOSE COVER, HC TT-DMD	1	
32	212662-01	HC SWITCH HOUSING, TT DMD	1	
33	900711-05	SCREW, SOC FL .25-20X1 SS	4	
34	903409-03	WASHER, FEND .41 X.88OD, SS	2	
35	902019-5	WASHER, LOCK S/ST .680ODX.385ID	4	
36	900014-4	SCREW, HEX CAP.38-16X1, G8, ZC	2	
37	900769-03	SCREW, BTN SCT .38-16 X.75, SS	2	
38	230572-01	AL PF LATCH BAR, TT-DMD	2	

MAIN ASSEMBLY

LAST UPDATED
SEPT 2023 to OCT 2025



Pos	SKU	Description	Qty	Remark
1	212601-102-1.25-100	M/F WLDMT, HC-1.25AB, 102" LDV-TT-DMD	1	
1	212601-99-3.5-100	M/F WLDMT, HC-3.5AB, 99" LDV-TT-DMD	1	
1	212611-102-STD-100	MF WLDMT, HC-STD, 102 LDV-TT-DMD	1	
1	212611-99-STD-100	MF WLDMT, HC-STD, 99 LDV-TT-DMD	1	
2	296983-101	COLUMN WEAR PAD, 15.0" LG	2	
3	5-05019-01	AVDEL MONOBOLT FASTENER	8	
4	261685	WASHER, 1-1/4X3/4X.030 SS	2	
5	296980-101	TRANSIT HOOK WLDMT, RH, 316 SS	1	
6	903409-06	WASHER,FEND .28 X1 OD,SS	2	
7	269354	GROMMET, 1.375" ID	1	
8	286396-03	COVER PLATE, ALUM	1	
9	281068-04	GROMMET, MODIFIED, .5 HOLE W. SLIT	1	
10	900719-05	SCREW,BUTTON.25-20 X.75 SS	1	
11	908028-01	GROM PVC .75IDX.13GR.WD	1	
12	266428-06	GROMMET, 1.0 DIAPH .56 HOLE	2	
13	901602-06	BOLT,HEX .313-18X1.00,18-8 SS	4	
14	903409-02	WASHER,FEND .34 X.75OD,SS	4	
15	902019-4	WASHER,LOCK S/ST .583ODX.322ID	4	
16	296990-02	SST PIN WELDT, CYL TOP, DMD	2	
17	903412-01	WASHER,FLAT .25,SS	2	
18	903444-01	WASHER, FLAT #10, SS	8	
19	030453-01	SCREW TAPPING #10X3/4 ZC	8	
20	209357-01	COLUMN COVER WLDMNT, TT DMD	2	

Pos	SKU	Description	Qty	Remark
21	902013-18	WASHER, FLAT 2X1-1/16X9/64 ZC	2	
22	283211-03	CYLINDER SPACER, 0.44IN LG	2	
23	901603-02	BOLT, HEX .250-20X.5, 18-8 SS	2	
24	901603-06	BOLT, HEX .250-20X1, 18-8 SS	2	
25	903412-01	WASHER,FLAT .25,SS	6	
26	903132-01	NUT, NYL INSRT, THN .25-20, SS	5	
27	298001-01	COLUMN FRONT PAD, .25X.75X4.75" LG	2	
28	900711-04	SCREW, SOC FL .25-20X.88 SS	4	
29	908081-04	PLUG, NYLON, FOR .88DIA HOLE	1	
30	903705-05	RIVET,BLD,DOME,AL/ST .25DIA X.98	2	
31	210826-101	AL. RUNNER HOSE COVER, HC TT-DMD	1	
32	212662-01	HC SWITCH HOUSING, TT DMD	1	
33	903137-01	NUT, NYL INSRT STOP .25-20 SS	2	
34	903409-03	WASHER,FEND .41 X.88OD,SS	2	
35	902019-5	WASHER,LOCK S/ST .680ODX.385ID	2	
36	900014-4	SCREW,HEX CAP.38-16X1,G8,ZC	2	
37	209373-01	AL LH PF LATCH ARM, LDV-DMD	1	
38	209369-01	MODIFIED BRONZE SLEAVE, 3/8 SHAFT, 5/8 OD	1	
39	903152-01	NUT,NYL INSRT,THN .38-16,SS	3	
40	900769-07	SCREW,BTN SCT .38-16 X1.25, 316 SS	1	

Pos	SKU	Description	Qty	Remark
41	902008	WASHER,FENDER 1.5X13/32X1/16SS	1	
42	209377-01	AL. SPACER, .38ID X .63OD X .81LG	1	
43	900769-09	SCREW,BTN SCT .38-16 X1.5, 316 SS	1	
44	900839-01	SCREW, SOCKET HD, .38-16 X .75, 316 SS	1	

Pos	SKU	Description	Qty	Remark
1	212601-102-1.25	M/F WLDMT, HC-1.25AB, 102IN LDV-TT-DMD	1	
1	212601-99-3.5	M/F WLDMT, HC-3.5AB, 99IN FM-TT-DMD	1	
1	212611-102-STD	M/F WLDMT, HC-STD, 102 LDV-TT-DMD	1	
1	212611-99-STD	M/F WLDMT, HC-STD, 99 LDV-TT-DMD	1	
2	296983-01	COLUMN WEAR PAD, 16.0IN LG	2	
3	5-05019-01	AVDEL MONOBOLT FASTENER	8	
4	261685	WASHER, 1-1/4X3/4X.030 SS	2	
5	296980-01	TRANSIT HOOK WELDT, RH	1	
6	903409-06	WASHER,FEND .28 X1 OD,SS	2	
7	269354	GROMMET, 1.375" ID	1	
8	286396-03	COVER PLATE, ALUM	1	
9	281068-04	GROMMET, MODIFIED, .5 HOLE W. SLIT	1	
10	900719-05	SCREW,BUTTON.25-20 X.75 SS	1	
11	908028-01	GROM PVC .75IDX.13GR.WD	1	
12	266428-06	GROMMET, 1.0 DIAPH .56 HOLE	2	
13	901602-06	BOLT,HEX .313-18X1.00,18-8 SS	4	
14	903409-02	WASHER,FEND .34 X.75OD,SS	4	
15	902019-4	WASHER,LOCK S/ST .583ODX.322ID	4	
16	296990-02	SST PIN WELDT, CYL TOP, DMD	2	
17	903412-01	WASHER,FLAT .25,SS	2	
18	903444-01	WASHER, FLAT #10, SS	8	
19	030453-01	SCREW TAPPING #10X3/4 ZC	8	
20	297904-01	ALUM COLUMN COVER, DMD	2	
21	902013-18	WASHER, FLAT 2X1-1/16X9/64 ZC	2	

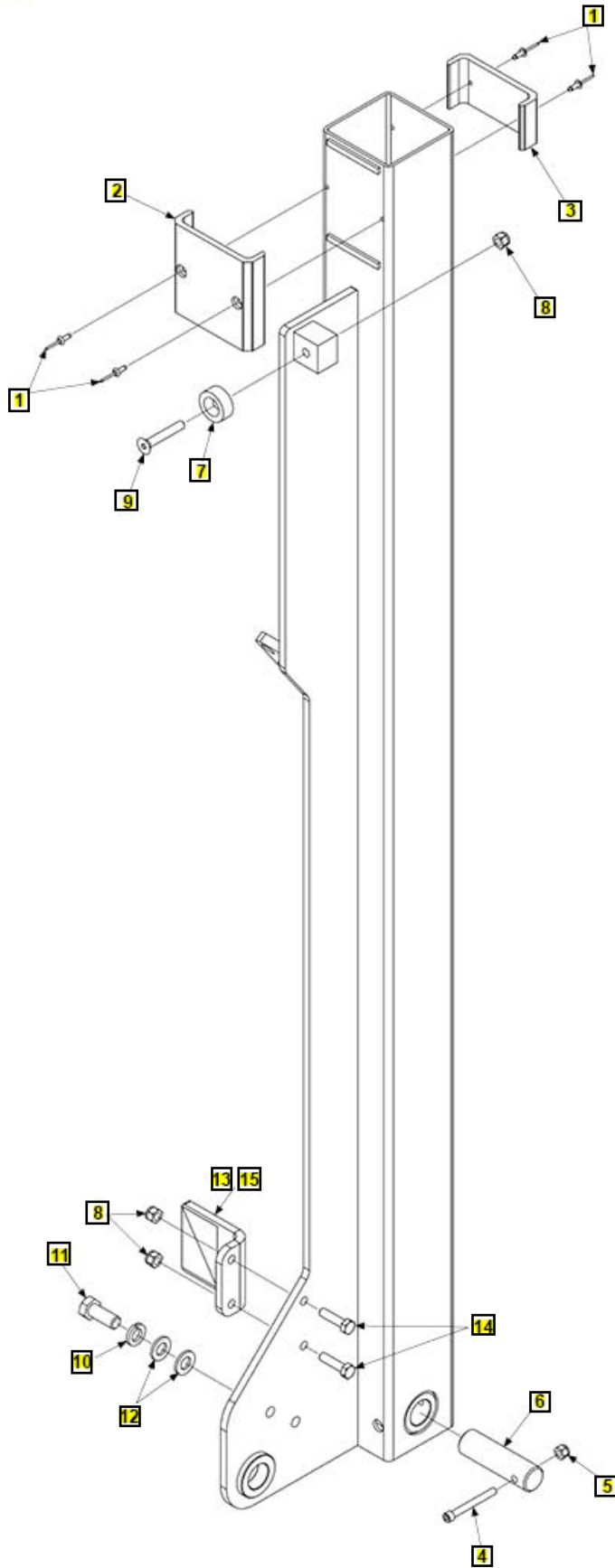
Pos	SKU	Description	Qty	Remark
22	283211-03	CYLINDER SPACER, 0.44IN LG	2	
23	901603-02	BOLT, HEX .250-20X.5, 18-8 SS	2	
24	901603-06	BOLT, HEX .250-20X1, 18-8 SS	2	
25	903412-01	WASHER,FLAT .25,SS	6	
26	903132-01	NUT, NYL INSRT, THN .25-20, SS	5	
27	298001-01	COLUMN FRONT PAD, .25X.75X4.75" LG	2	
28	900711-04	SCREW, SOC FL .25-20X.88 SS	4	
29	908081-04	PLUG, NYLON, FOR .88DIA HOLE	1	
30	903705-05	RIVET,BLD,DOME,AL/ST .25DIA X.98	2	
31	210826-01	RUNNER HOSE COVER, HC TT-DMD	1	
32	212662-01	HC SWITCH HOUSING, TT DMD	1	
33	903137-01	NUT, NYL INSRT STOP .25-20 SS	2	
34	903409-03	WASHER,FEND .41 X.88OD,SS	2	
35	902019-5	WASHER,LOCK S/ST .680ODX.385ID	2	
36	900014-4	SCREW,HEX CAP.38-16X1,G8,ZC	2	

LEFT HAND RUNNER ASSEMBLY

COMPLETE ASSEMBLY:

LEFT HAND RUNNER ASSEMBLY

LAST UPDATED
NOV 2025 to present



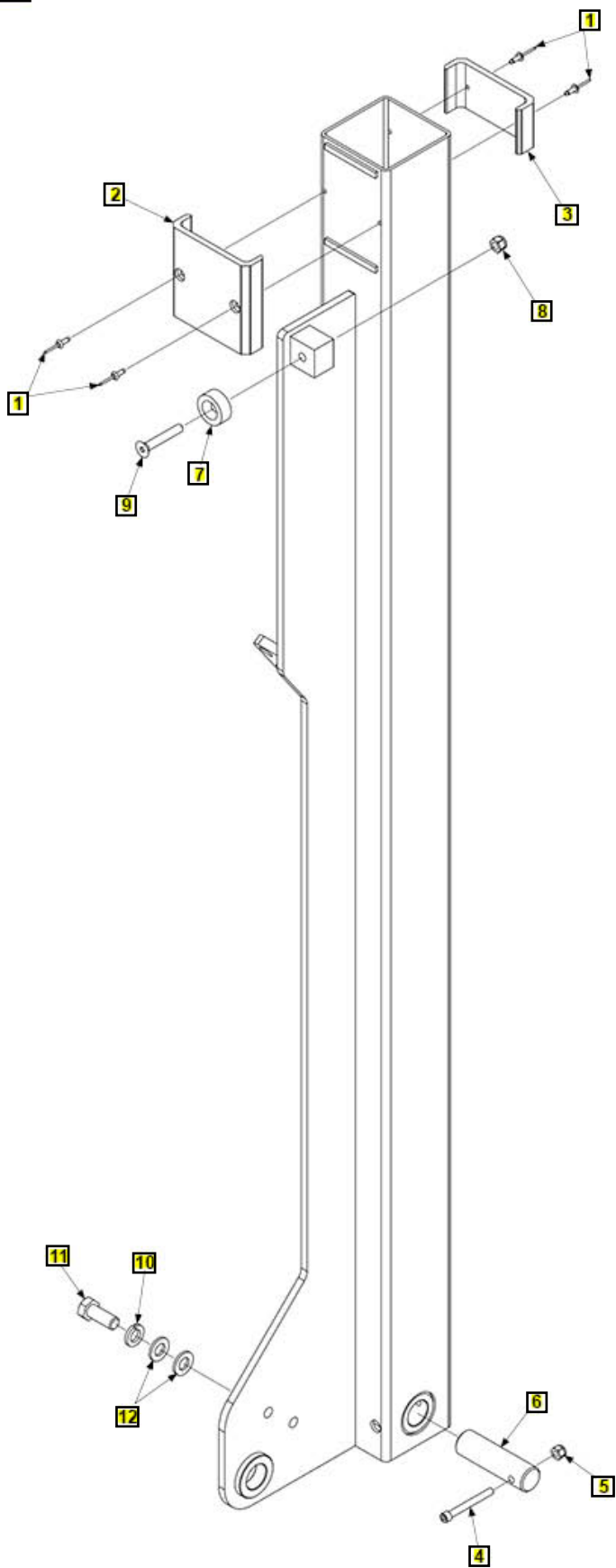
Pos	SKU	Description	Qty	Remark
REF	296985-501G	RUNNER ASSY, LH LATCH, GALV, TT-DMD	1	
1	903706-04	RIVET,BLD DOME,AL/AL .156 X.53	4	
2	296989-01	WEAR PAD, 4.00IN LG	1	
3	296989-02	WEAR PAD, 2.00IN LG	1	
4	900732-12	SCREW,SOC .2520X2.25 SS	1	
5	903137-01	NUT, NYL INSRT STOP .25-20 SS	1	
6	298642-02	PIN, 1DIA X 3.47 LG, SST	1	
7	297723-01	P/F STOP BUMPER	1	
8	903106-10	NUT, NYL INSRT STOP.313 -18 SS	3	
9	900712-06	SCREW, SOC FL .312-18X2.0 SS	1	
10	902019-7	WASHER,LOCK S/ST .869ODX.512ID	1	
11	900734-05	SCREW,HXHD.5-13X1.25,UNC-2A,SS		
12	903434-11	WASHER,FLAT,M12,SS	2	
13	230577-01G	ST RUNNER STOP, GALV, TT-DMD	1	
14	901602-07	BOLT, HEX.313-18 X1.25,18-8 SS	2	
15	096018	TAPE,BLK/YEL SAFETY,4"WIDE	1	

LEFT HAND RUNNER ASSEMBLY

COMPLETE ASSEMBLY:

LEFT HAND RUNNER ASSEMBLY

LAST UPDATED
OCT 2022 to OCT 2025



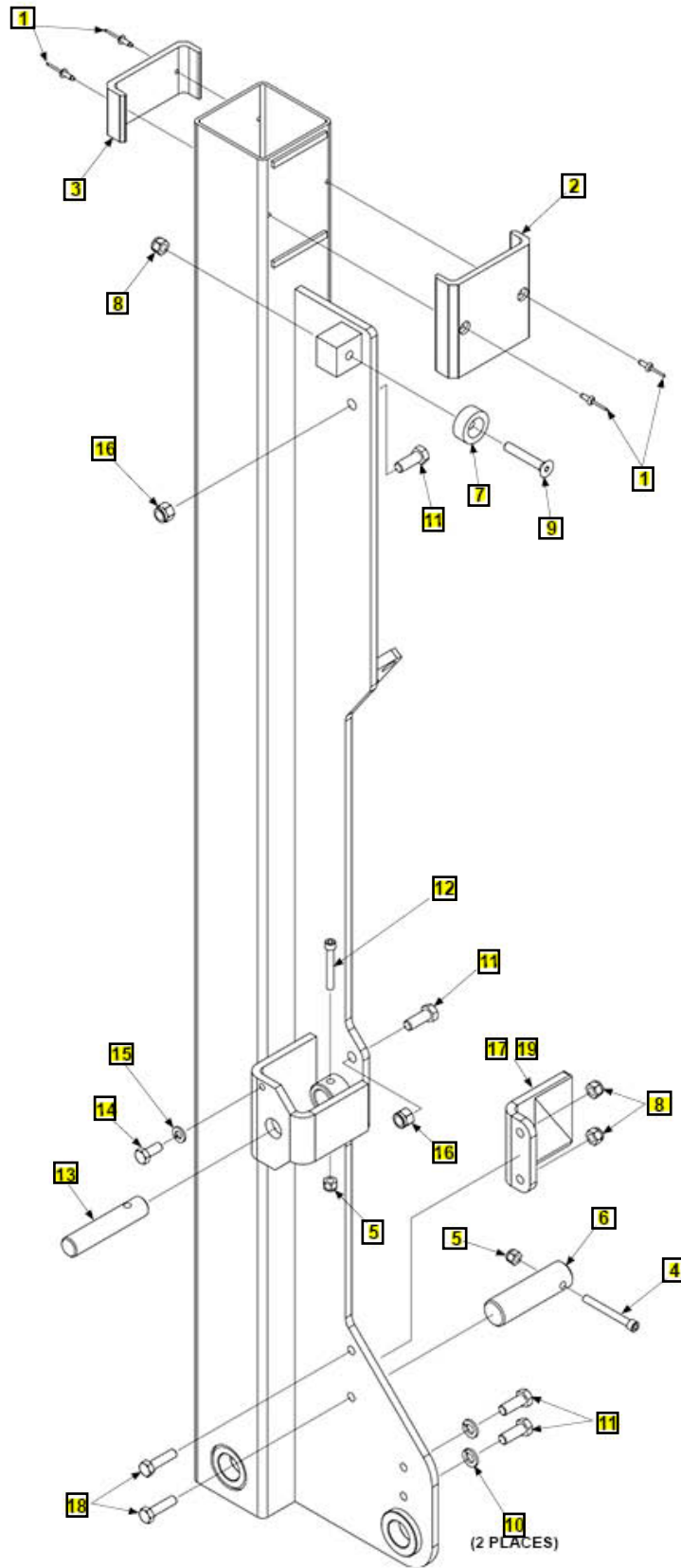
Pos	SKU	Description	Qty	Remark
REF	296985-201G	RUNNER ASSY, LH, GALV,TT-DMD	1	
1	903706-04	RIVET,BLD DOME,AL/AL .156 X.53	4	
2	296989-01	WEAR PAD, 4.00IN LG	1	
3	296989-02	WEAR PAD, 2.00IN LG	1	
4	900732-12	SCREW,SOC .2520X2.25 SS	1	
5	903137-01	NUT, NYL INSRT STOP .25-20 SS	1	
6	298642-02	PIN, 1DIA X 3.47 LG, SST	1	
7	297723-01	P/F STOP BUMPER	1	
8	903106-10	NUT, NYL INSRT STOP.313 -18 SS	1	
9	900712-06	SCREW, SOC FL .312-18X2.0 SS	1	
10	902019-7	WASHER,LOCK S/ST .869ODX.512ID	1	
11	900734-05	SCREW,HXHD.5-13X1.25,UNC-2A,SS		
12	903434-11	WASHER,FLAT,M12,SS	2	

RIGHT HAND RUNNER ASSEMBLY

COMPLETE ASSEMBLY:

RIGHT HAND RUNNER ASSEMBLY

LAST UPDATED
NOV 2025 to present



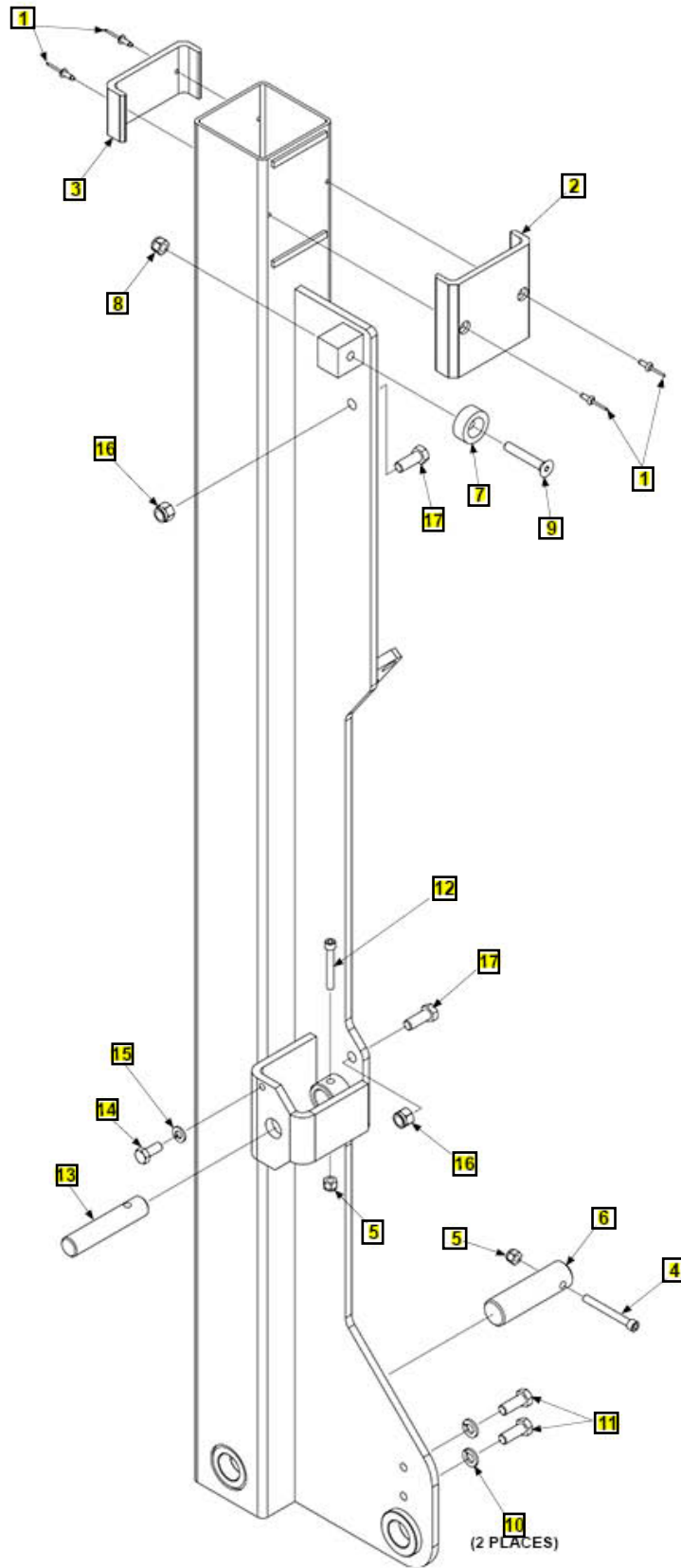
Pos	SKU	Description	Qty	Remark
REF	296985-502G	RUNNER ASSY, RH LATCH, GALV, HC TT-DMD	1	
1	903706-04	RIVET,BLD DOME,AL/AL .156 X.53	4	
2	296989-01	WEAR PAD, 4.00IN LG	1	
3	296989-02	WEAR PAD, 2.00IN LG	1	
4	900732-12	SCREW,SOC .2520X2.25 SS	1	
5	903137-01	NUT, NYL INSRT STOP .25-20 SS	2	
6	298642-02	PIN, 1DIA X 3.47 LG, SST	1	
7	297723-01	P/F STOP BUMPER	1	
8	903106-10	NUT, NYL INSRT STOP.313 -18 SS	3	
9	900712-06	SCREW, SOC FL .312-18X2.0 SS	1	
10	902019-5	WASHER,LOCK S/ST .680ODX.385ID	2	
11	900764-06	SCREW,HEX CAP .38-16X1,SS	4	
12	900732-10	SCREW,SOC .2520X1.75 SS	1	
13	298641-02	PIN, .75DIA X 3.63 LG, SST	1	
14	901602-04	BOLT,HEX .313-18X0.75,18-8 SS	1	
15	902019-4	WASHER,LOCK S/ST .583ODX.322ID	1	
16	903134-01	NUT, NYL INSRT STOP .375-16 SS	2	
17	230577-01G	ST RUNNER STOP, GALV, TT-DMD	1	
18	901602-07	BOLT, HEX.313-18 X1.25,18-8 SS	2	
19	096018	TAPE,BLK/YEL SAFETY,4"WIDE	1	

RIGHT HAND RUNNER ASSEMBLY

COMPLETE ASSEMBLY:

RIGHT HAND RUNNER ASSEMBLY

LAST UPDATED
OCT 2022 to OCT 2025



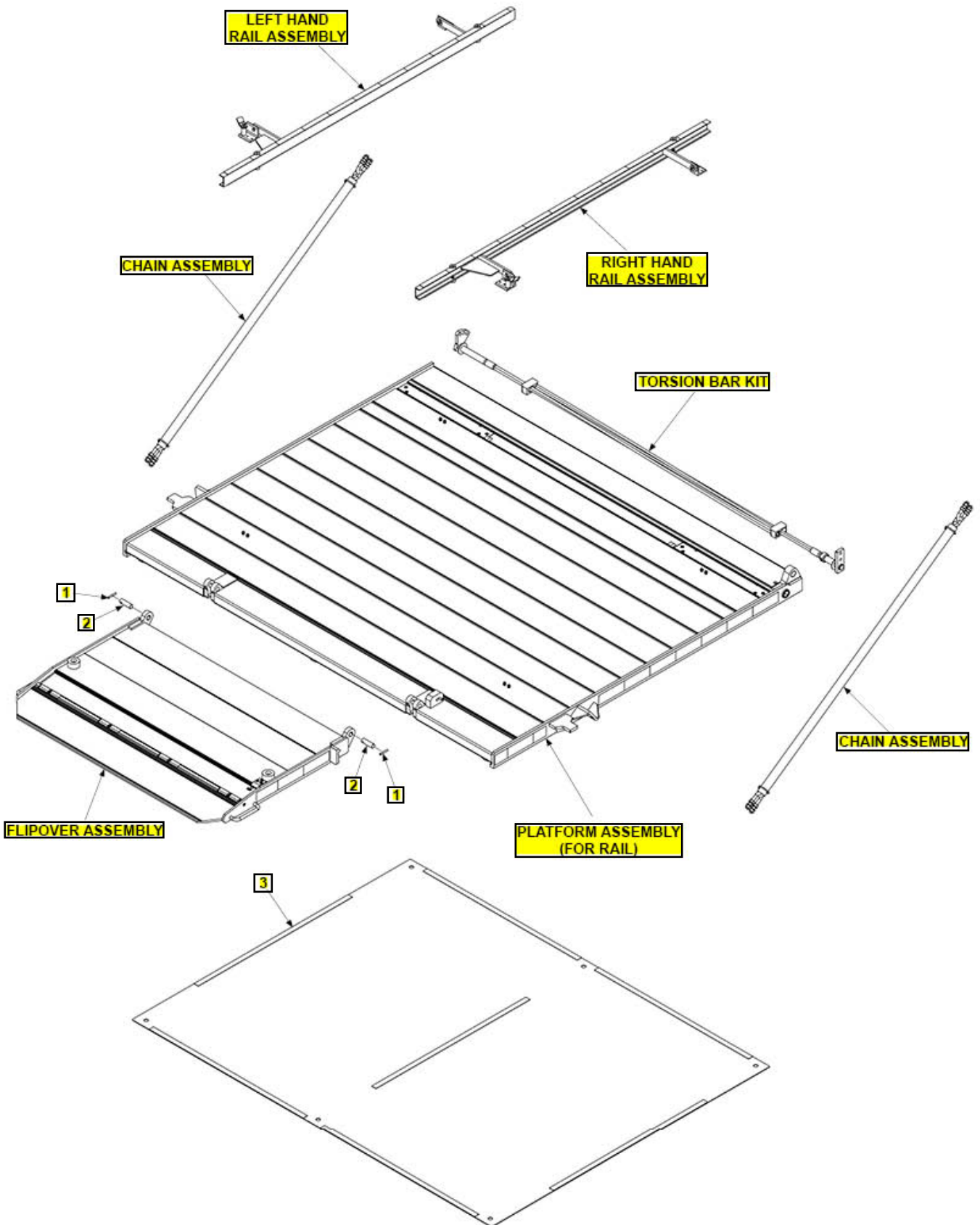
Pos	SKU	Description	Qty	Remark
REF	296985-202G	RUNNER ASSY, RH, H/C, GALV, TT-DMD	1	
1	903706-04	RIVET,BLD DOME,AL/AL .156 X.53	4	
2	296989-01	WEAR PAD, 4.00IN LG	1	
3	296989-02	WEAR PAD, 2.00IN LG	1	
4	900732-12	SCREW,SOC .2520X2.25 SS	1	
5	903137-01	NUT, NYL INSRT STOP .25-20 SS	2	
6	298642-02	PIN, 1DIA X 3.47 LG, SST	1	
7	297723-01	P/F STOP BUMPER	1	
8	903106-10	NUT, NYL INSRT STOP.313 -18 SS	1	
9	900712-06	SCREW, SOC FL .312-18X2.0 SS	1	
10	902019-5	WASHER,LOCK S/ST .680ODX.385ID	2	
11	900764-06	SCREW,HEX CAP .38-16X1,SS	4	
12	900732-10	SCREW,SOC .2520X1.75 SS	1	
13	298641-02	PIN, .75DIA X 3.63 LG, SST	1	
14	901602-04	BOLT,HEX .313-18X0.75,18-8 SS	1	
15	902019-4	WASHER,LOCK S/ST .583ODX.322ID	1	
16	903134-01	NUT, NYL INSRT STOP .375-16 SS	2	

PLATFORM AND FLIPOVER ASSEMBLY WITH RAIL

COMPLETE ASSEMBLY:

PLATFORM AND FLIPOVER ASSEMBLY WITH RAIL

LAST UPDATED
NOV 2025 to present



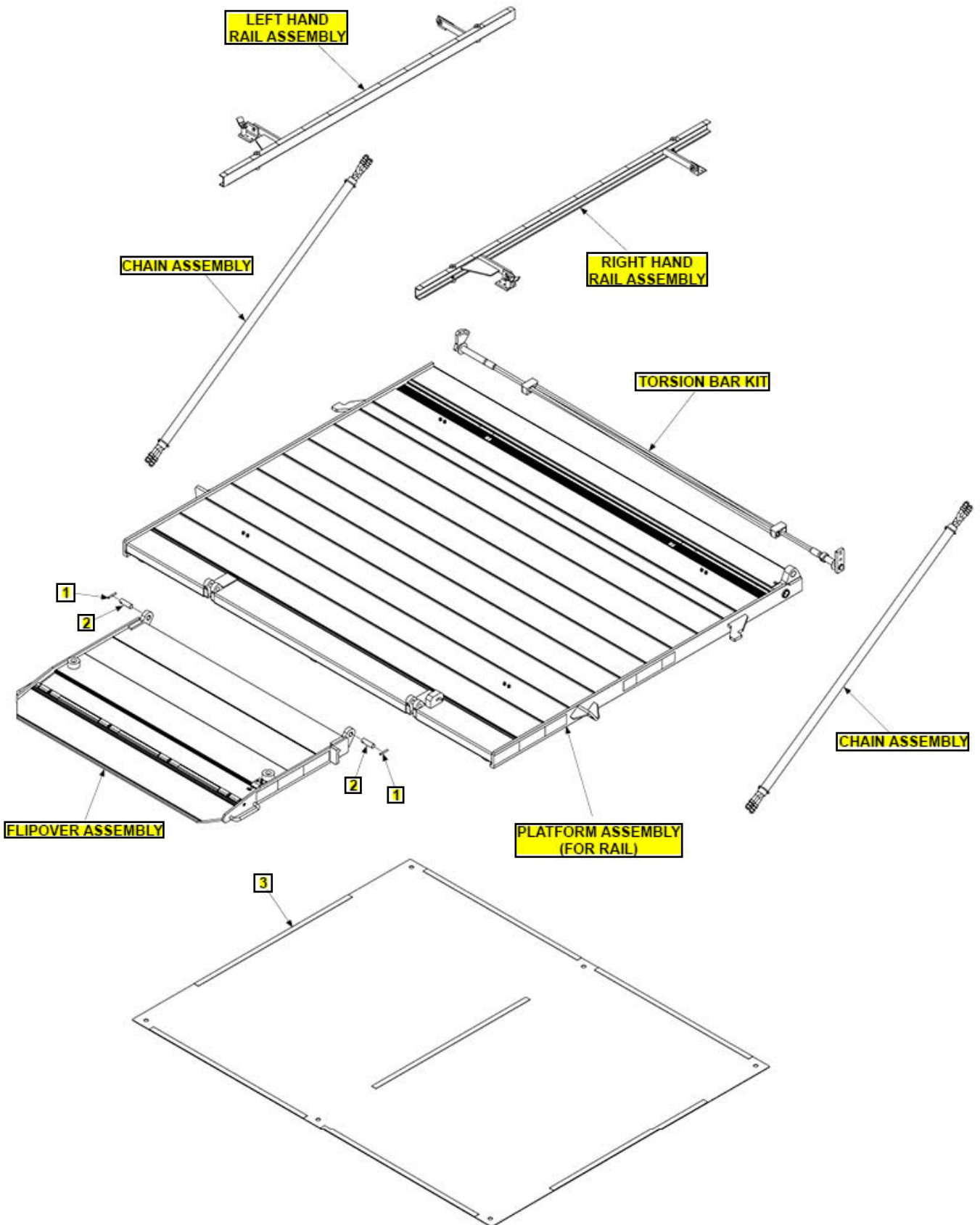
Pos	SKU	Description	Qty	Remark
REF	230575-01MG	AL PF.FO ASSY,(86.5X72CS)RL+ (48X20+12CS),99 LDV-DMD	1	
REF	230575-02MG	AL PF.FO ASSY,(91.5X72CS)RL+ (48X20+12CS),102 LDV-DMD	1	
1	905033-4	ROLL PIN .250 O.D.X1.75"LG	2	
2	212581-01	HINGE PIN, SS .75 DIA. X 2.44 LG W. HOLE	2	
3	212275-01	KIT, GRAPHIC AL. SHEET & TAPE, 99 LDV-DMD	1	
3	212275-02	KIT, GRAPHIC AL. SHEET & TAPE, 102 LDV-DMD	1	

PLATFORM AND FLIPOVER ASSEMBLY WITH RAIL

COMPLETE ASSEMBLY:

PLATFORM AND FLIPOVER ASSEMBLY WITH RAIL

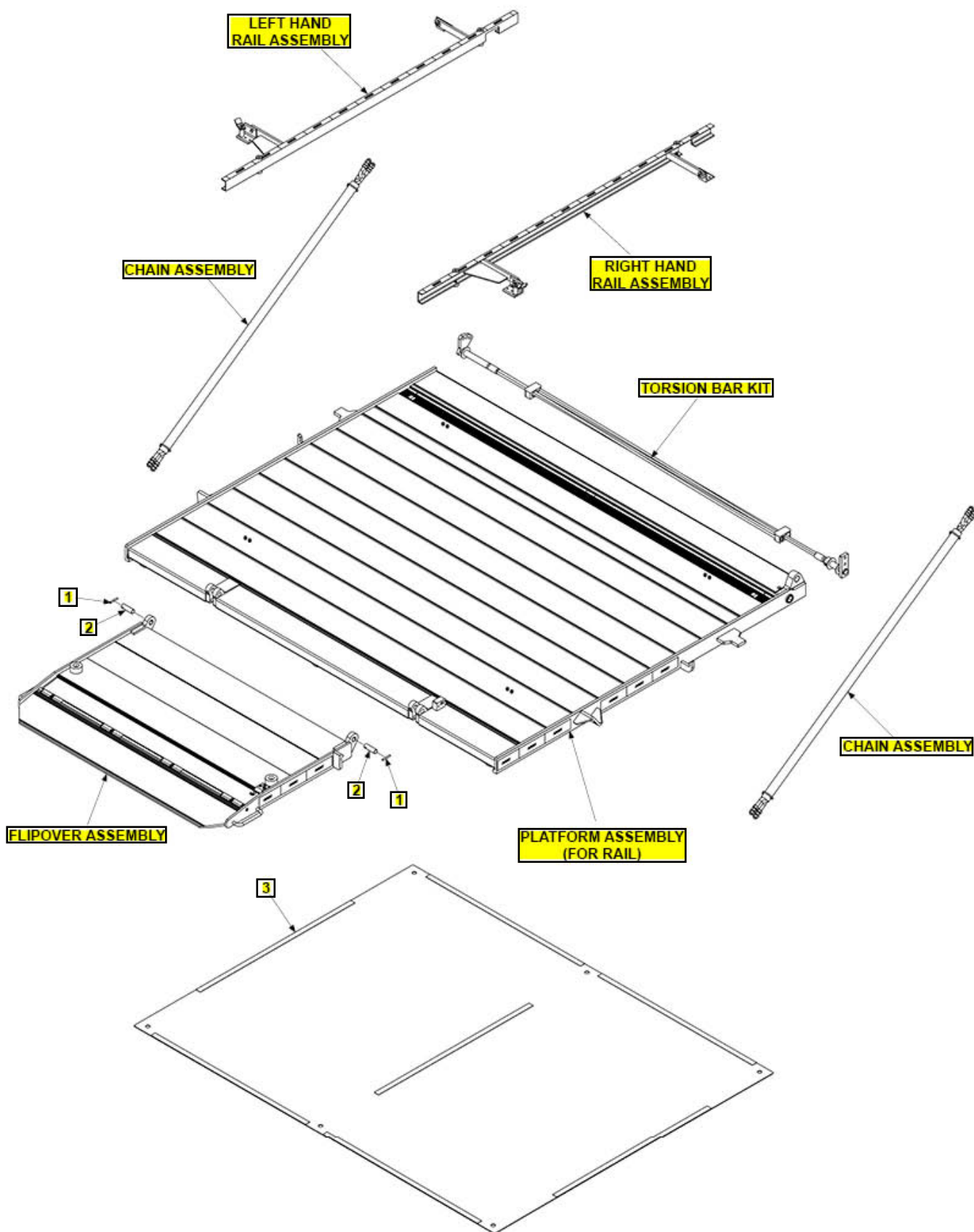
LAST UPDATED
SEPT 2023 to OCT 2025



Pos	SKU	Description	Qty	Remark
REF	212640-01MG	PF-FO ASSY,AL. (86.5X72CS)RAIL+ (48X20+12CS),99 LDV	1	
REF	212640-02MG	PF-FO ASSY,AL. (91.5X72CS)RAIL+ (48X20+12CS),102 LDV	1	
1	905033-4	ROLL PIN .250 O.D.X1.75"LG	2	
2	212581-01	HINGE PIN, SS .75 DIA. X 2.44 LG W. HOLE	2	
3	212275-01	KIT, GRAPHIC AL. SHEET & TAPE, 99 LDV-DMD	1	
3	212275-02	KIT, GRAPHIC AL. SHEET & TAPE, 102 LDV-DMD	1	

PLATFORM AND FLIPOVER ASSEMBLY WITH RAIL

LAST UPDATED
OCT 2022 to AUG 2023



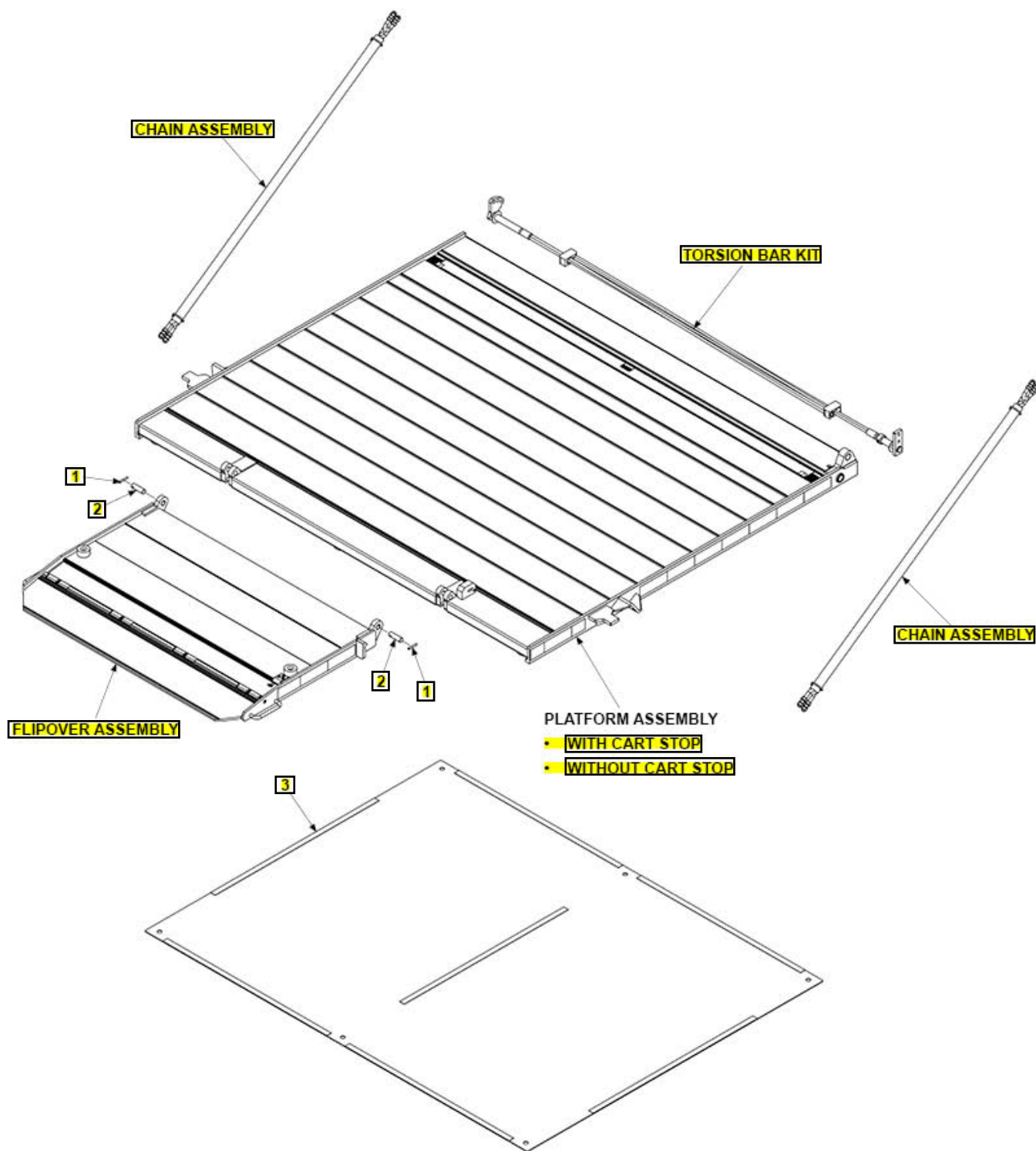
Pos	SKU	Description	Qty	Remark
1	905033-4	ROLL PIN .250 O.D.X1.75"LG	2	
2	212581-01	HINGE PIN, SS .75 DIA. X 2.44 LG W. HOLE	2	
3	212275-01	KIT, GRAPHIC AL. SHEET & TAPE, 99 LDV-DMD	1	
3	212275-02	KIT, GRAPHIC AL. SHEET & TAPE, 102 LDV-DMD	1	

PLATFORM AND FLIPOVER ASSEMBLY

COMPLETE ASSEMBLY:

PLATFORM AND FLIPOVER ASSEMBLY

LAST UPDATED
NOV 2025 to present



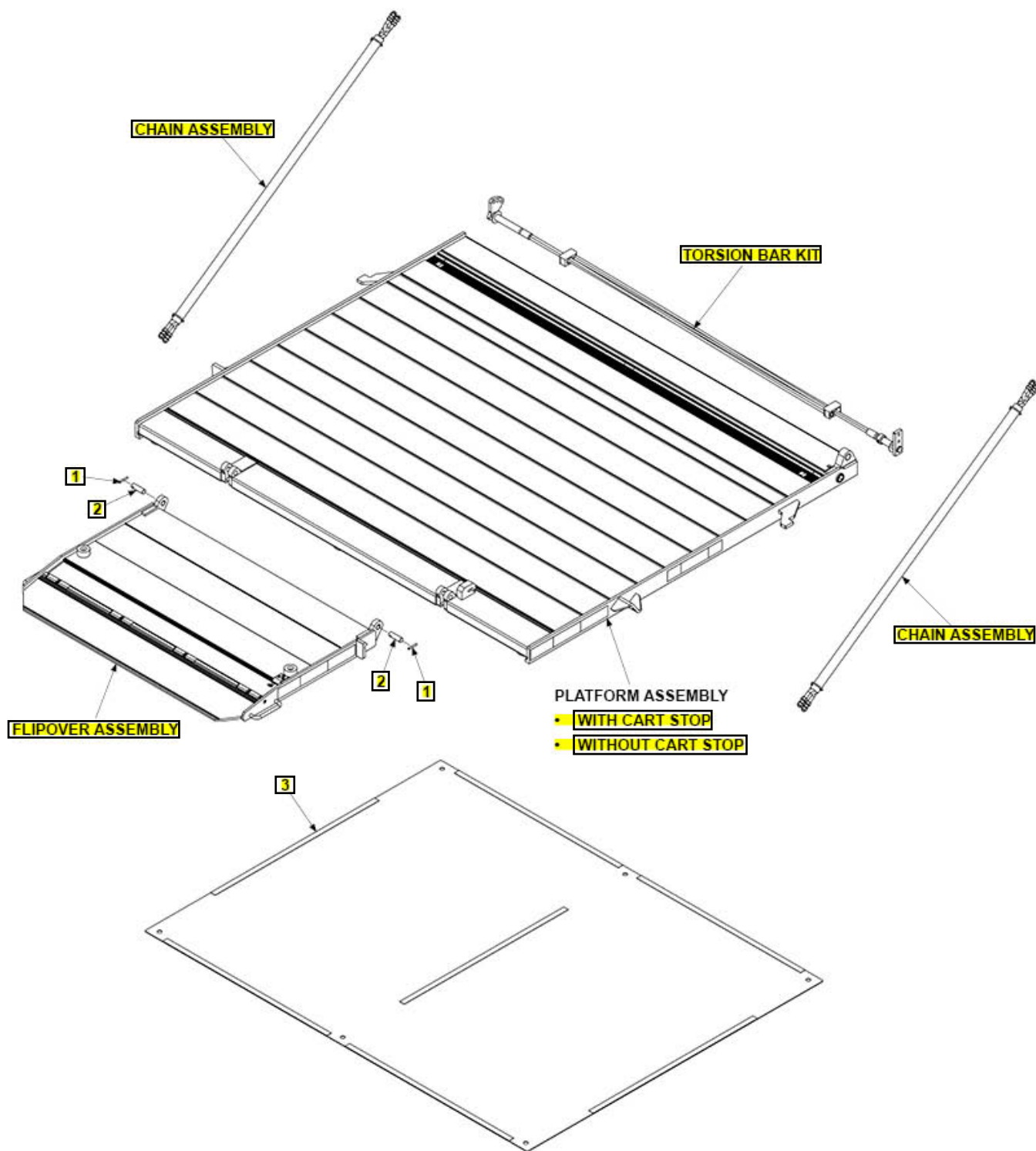
Pos	SKU	Description	Qty	Remark
REF	230585-01MG	AL PF.FO ASSY,(86.5X72CS)+ (48X20+12CS)CVR,99 TT-DMD	1	
REF	230585-02MG	AL PF.FO ASSY,(91.5X72CS)+ (48X20+12CS)CVR,102 TT-DMD	1	
REF	230595-01MG	AL PF.FO ASSY,(86.5X72)+ (48X20+12CS)CVR,99 TT-DMD	1	
REF	230595-02MG	AL PF.FO ASSY,(91.5X72)+ (48X20+12CS)CVR,102 TT-DMD	1	
1	905033-4	ROLL PIN .250 O.D.X1.75"LG	2	
2	212581-01	HINGE PIN, SS .75 DIA. X 2.44 LG W. HOLE	2	
3	212275-01	KIT, GRAPHIC AL. SHEET & TAPE, 99 LDV-DMD	1	
3	212275-02	KIT, GRAPHIC AL. SHEET & TAPE, 102 LDV-DMD	1	

PLATFORM AND FLIPOVER ASSEMBLY

COMPLETE ASSEMBLY:

PLATFORM AND FLIPOVER ASSEMBLY

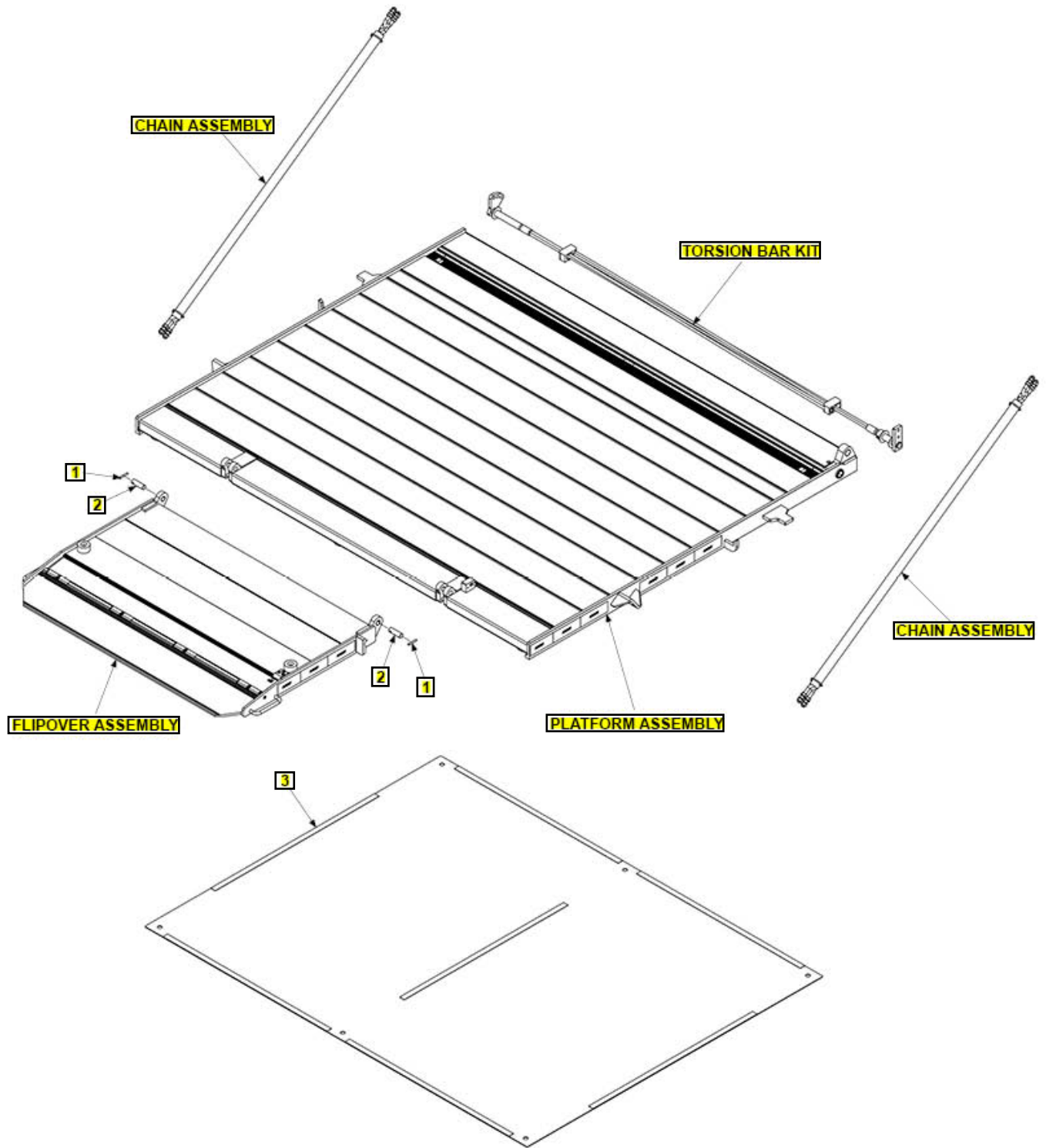
LAST UPDATED
SEPT 2023 to OCT 2025



Pos	SKU	Description	Qty	Remark
REF	209885-01MG	PF-FO ASSY,AL(86.5X72)+(48X20+12CS),99 LDV-DMD	1	
REF	209885-02MG	PF-FO ASSY,AL(91.5X72)+(48X20+12CS),102 LDV-DMD	1	
REF	212630-01MG	PF-FO ASSY,AL.(86.5X72CS)+(48X20+12CS),99 LDV-DMD	1	
REF	212630-02MG	PF-FO ASSY,AL.(91.5X72CS)+(48X20+12CS),102 LDV-DMD	1	
1	905033-4	ROLL PIN .250 O.D.X1.75"LG	2	
2	212581-01	HINGE PIN, SS .75 DIA. X 2.44 LG W. HOLE	2	
3	212275-01	KIT, GRAPHIC AL. SHEET & TAPE, 99 LDV-DMD	1	
3	212275-02	KIT, GRAPHIC AL. SHEET & TAPE, 102 LDV-DMD	1	

PLATFORM AND FLIPOVER ASSEMBLY

LAST UPDATED
OCT 2022 to AUG 2023

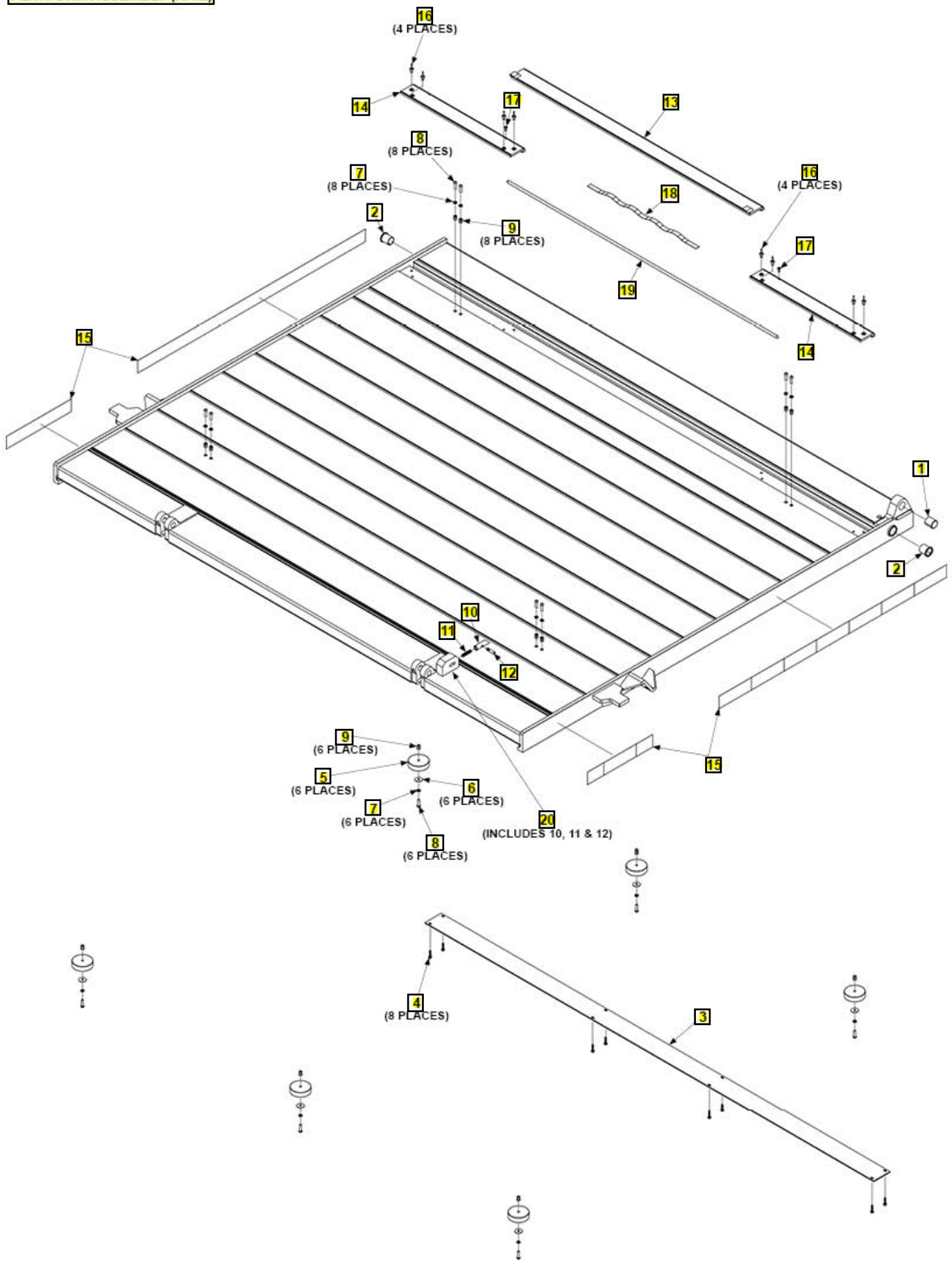


Pos	SKU	Description	Qty	Remark
1	905033-4	ROLL PIN .250 O.D.X1.75"LG	2	
2	212581-01	HINGE PIN, SS .75 DIA. X 2.44 LG W. HOLE	2	
3	212275-01	KIT, GRAPHIC AL. SHEET & TAPE, 99 LDV-DMD	1	
3	212275-02	KIT, GRAPHIC AL. SHEET & TAPE, 102 LDV-DMD	1	

PLATFORM ASSEMBLY (FOR RAIL)

COMPLETE ASSEMBLY:
PLATFORM ASSEMBLY (RAIL)

LAST UPDATED
NOV 2025 to present



Pos	SKU	Description	Qty	Remark
REF	230574-01MG	AL PF ASSY,MG 86.5X72CS,RAIL,99 LDV-DMD	1	
REF	230574-02MG	AL PF ASSY,MG 91.5X72CS,RAIL,102 LDV-DMD	1	
1	260916-01	BEARING SELF LUBE 1DIA X 1.25IN	1	
2	908002-06	BEARING,SELF LUB 1DIA IDX1.25LG	2	
3	298401-201	AL COVER PLATE, 82.75" LG, PF 99 LDV-DMD	1	
3	298401-202	AL COVER PLATE, 87.75" LG, PF 102 LDV-DMD	1	
4	900835-01	410 SS SCREW, SELF-TAPPING, 10-24 UNC X 1" LG	8	
5	210827-01	ROUND BUMPER,UHMWPE,2.75 OD X .28 ID X .75 LG	6	
6	903409-06	WASHER,FEND .28 X1 OD,SS	6	
7	902019-3	WASHER,LOCK S/ST .487ODX.260ID	14	
8	900719-07	SCREW,BUTTON.25-20 X1 SS	14	
9	905074	RIVET, NUT INSERT .250-20X.530	14	
10	212061-101	SS PLUNGER, FO LATCH, TT-DMD	1	
11	283957-01	SHOOT BOLT SPRING	1	
12	288636-01	SHOOT BOLT, 1.38" LG	1	
13	212546-201	PF SCS WLDMT, 44" LG, HC LDV-DMD	1	
14	212663-01	EXTRN HINGE, 20.38", PF CS TT-DMD	2	
14	212663-02	EXTRN HINGE, 22.88", PF CS TT-DMD	2	
15	905185	TAPE, CONSPICUITY, RED/SIL2"W	1	
16	903705-02	RIVET,BLD,DOME,AL/ST .25X.6	8	

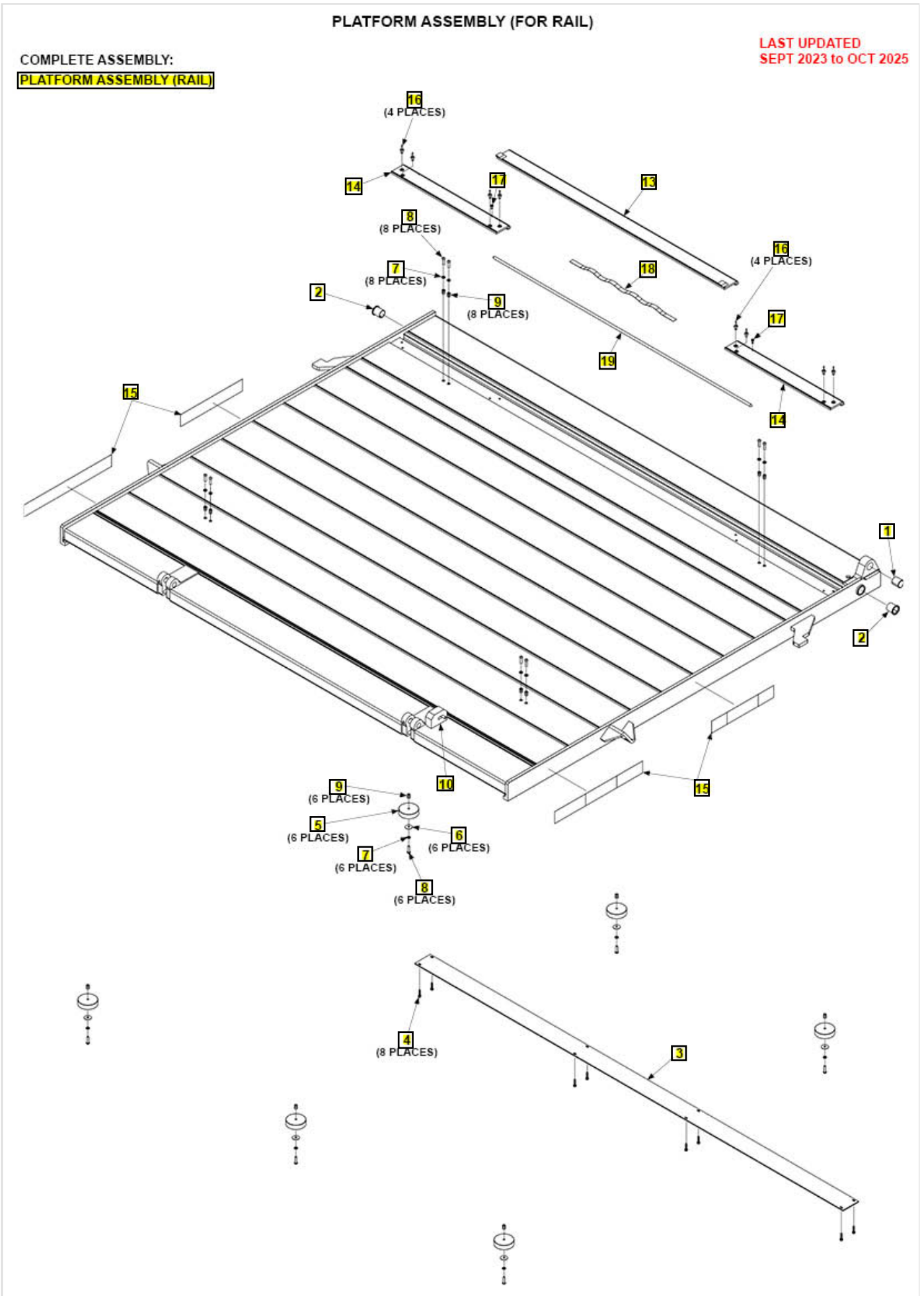
Pos	SKU	Description	Qty	Remark
17	900766-02	SCREW,SELF TAP,10-24X.5 PH,SS	2	
18	267581-05	SPRING, F/OVER C/ST, .63X20.0"LG	1	
19	267094-11	PIN, CART STOP, 50"LG	1	
20	212535-01	KIT, FLIPOVER LATCH ASSY, DMD-TT	1	

PLATFORM ASSEMBLY (FOR RAIL)

COMPLETE ASSEMBLY:

PLATFORM ASSEMBLY (RAIL)

LAST UPDATED
SEPT 2023 to OCT 2025



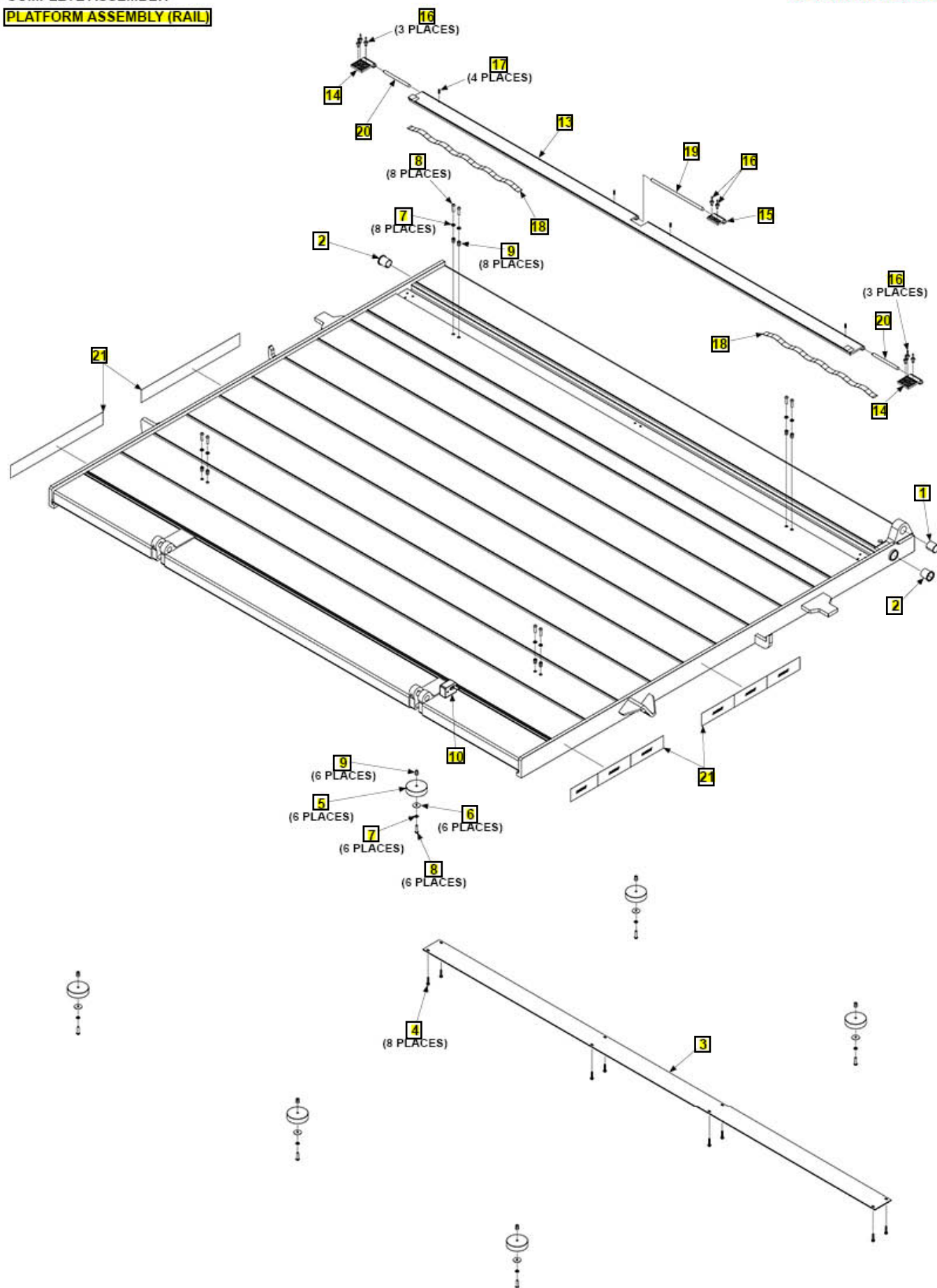
Pos	SKU	Description	Qty	Remark
REF	212635-101MG	P/F ASSY,AL.MG 86.5X72NCS,RAIL,99 LDV-DMD	1	
REF	212635-102MG	P/F ASSY,AL.MG 91.5X72NCS,RAIL,102 LDV-DMD	1	
1	260916-01	BEARING SELF LUBE 1DIA X 1.25IN	1	
2	908002-06	BEARING,SELF LUB 1DIA IDX1.25LG	2	
3	298401-201	AL COVER PLATE, 82.75" LG, PF 99 LDV-DMD	1	
3	298401-202	AL COVER PLATE, 87.75" LG, PF 102 LDV-DMD	1	
4	900835-01	410 SS SCREW, SELF-TAPPING, 10-24 UNC X 1" LG	8	
5	210827-01	ROUND BUMPER,UHMWPE,2.75 OD X .28 ID X .75 LG	6	
6	903409-06	WASHER,FEND .28 X1 OD,SS	6	
7	902019-3	WASHER,LOCK S/ST .487ODX.260ID	14	
8	900719-07	SCREW,BUTTON.25-20 X1 SS	14	
9	905074	RIVET, NUT INSERT .250-20X.530	14	
10	212535-01	KIT, FLIPOVER LATCH ASSY, DMD-TT	1	
13	212546-201	PF SCS WLDMT, 44" LG, HC LDV-DMD	1	
14	212663-01	EXTRN HINGE, 20.38", PF CS TT-DMD	2	
14	212663-02	EXTRN HINGE, 22.88", PF CS TT-DMD	2	
15	905185	TAPE, CONSPICUITY, RED/SIL2"W	1	
16	903705-02	RIVET,BLD,DOME,AL/ST .25X.6	8	
17	900766-02	SCREW,SELF TAP,10-24X.5 PH,SS	2	

Pos	SKU	Description	Qty	Remark
18	267581-05	SPRING, F/OVER C/ST, .63X20.0"LG	1	
19	267094-11	PIN, CART STOP, 50"LG	1	

PLATFORM ASSEMBLY (FOR RAIL)

COMPLETE ASSEMBLY:
PLATFORM ASSEMBLY (RAIL)

LAST UPDATED
 OCT 2022 to AUG 2023



Pos	SKU	Description	Qty	Remark
REF	212635-01MG	P/F ASSY,AL.MG 86.5X72CS,RAIL,99 LDV-DMD	1	
REF	212635-02MG	P/F ASSY,AL.MG 91.5X72CS,RAIL,102 LDV-DMD	1	
1	260916-01	BEARING SELF LUBE 1DIA X 1.25IN	1	
2	908002-06	BEARING,SELF LUB 1DIA IDX1.25LG	2	
3	298401-201	AL COVER PLATE, 82.75" LG, PF 99 LDV-DMD	1	
3	298401-202	AL COVER PLATE, 87.75" LG, PF 102 LDV-DMD	1	
4	900835-01	410 SS SCREW, SELF-TAPPING, 10-24 UNC X 1" LG	8	
5	210827-01	ROUND BUMPER,UHMWPE,2.75 OD X .28 ID X .75 LG	6	
6	903409-06	WASHER,FEND .28 X1 OD,SS	6	
7	902019-3	WASHER,LOCK S/ST .487ODX.260ID	14	
8	900719-07	SCREW,BUTTON.25-20 X1 SS	14	
9	905074	RIVET, NUT INSERT .250-20X.530	14	
10	212535-01	KIT, FLIPOVER LATCH ASSY, DMD-TT	1	
13	212546-101	PF SCS WLDMT, 80.81IN LG, HC 99 LDV-DMD	1	
13	212546-102	PF SCS WLDMT, 85.81" LG, HC 102IN LDV-DMD	1	
14	267088-01	LINK, CART STOP	2	
15	299923-01	2-HOLE MIDLE LINK, CART STOP	1	
16	903705-02	RIVET,BLD,DOME,AL/ST .25X.6	8	
17	904719-03	PIN ROLL,.188 X.56LG,SS	4	
18	267581-05	SPRING, F/OVER C/ST, .63X20.0"LG	2	

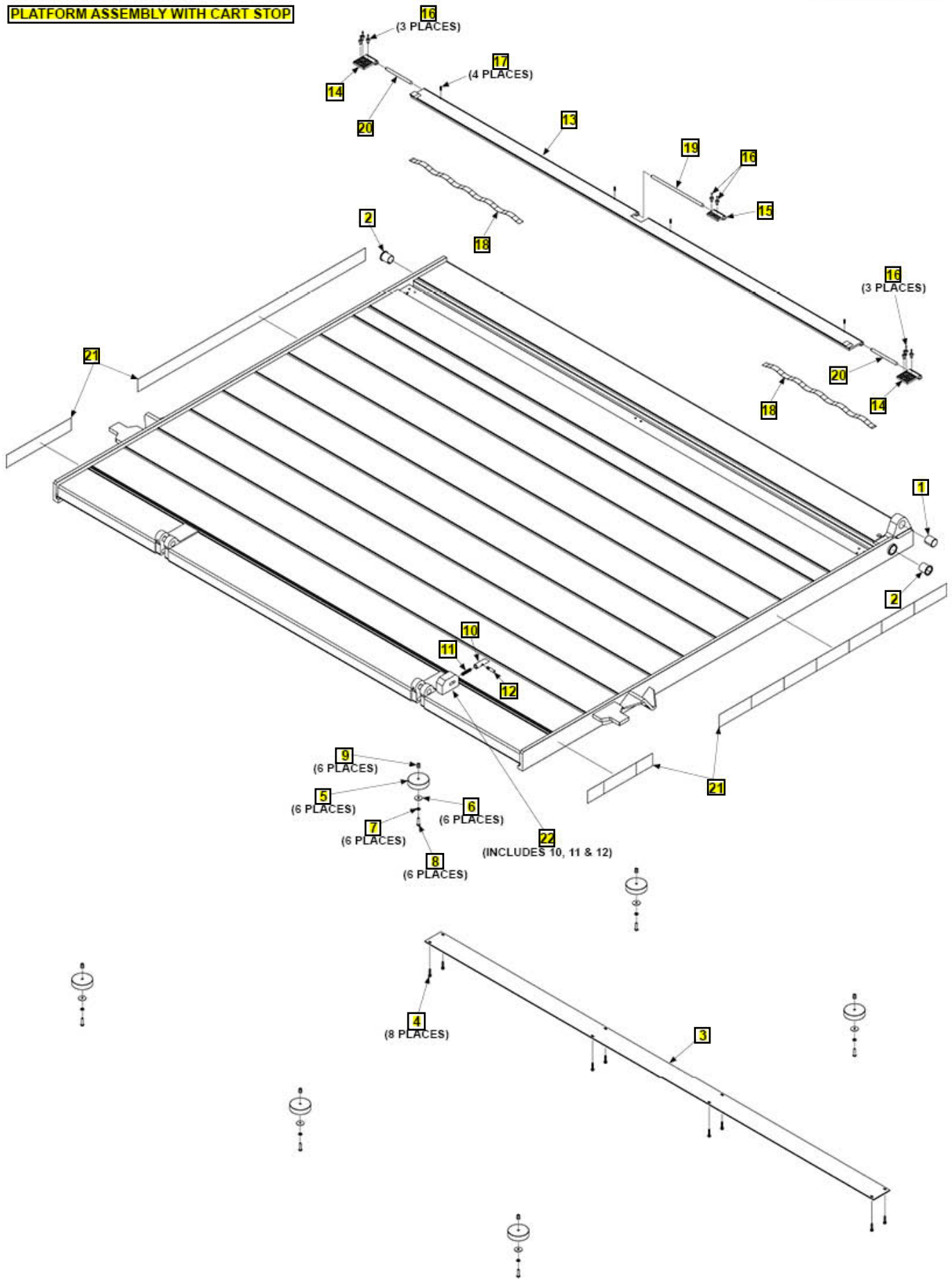
Pos	SKU	Description	Qty	Remark
19	267094-04	PIN CART STOP,9.75"LG	1	
20	267094-03	PIN CART STOP,5"LG	2	
21	908150-01	TAPE, CONSPICUITY, MAXON (UOM ROLL, 150FT PER)	1	

PLATFORM ASSEMBLY WITH CART STOP

COMPLETE ASSEMBLY:

PLATFORM ASSEMBLY WITH CART STOP

LAST UPDATED
NOV 2025 to present



Pos	SKU	Description	Qty	Remark
REF	230584-01MG	AL PF ASSY,86.5X72CS,NO RL,99 TT-DMD	1	
REF	230584-02MG	AL PF ASSY,91.5X72CS,NO RL,102 TT-DMD	1	
1	260916-01	BEARING SELF LUBE 1DIA X 1.25IN	1	
2	908002-06	BEARING,SELF LUB 1DIA IDX1.25LG	2	
3	298401-201	AL COVER PLATE, 82.75" LG, PF 99 LDV-DMD	1	
3	298401-202	AL COVER PLATE, 87.75" LG, PF 102 LDV-DMD	1	
4	900835-01	410 SS SCREW, SELF-TAPPING, 10-24 UNC X 1" LG	8	
5	210827-01	ROUND BUMPER,UHMWPE,2.75 OD X .28 ID X .75 LG	6	
6	903409-06	WASHER,FEND .28 X1 OD,SS	6	
7	902019-3	WASHER,LOCK S/ST .487ODX.260ID	6	
8	900719-07	SCREW,BUTTON.25-20 X1 SS	6	
9	905074	RIVET, NUT INSERT .250-20X.530	6	
10	212061-101	SS PLUNGER, FO LATCH, TT-DMD	1	
11	283957-01	SHOOT BOLT SPRING	1	
12	288636-01	SHOOT BOLT, 1.38" LG	1	
13	212546-101	PF SCS WLDMT, 80.81IN LG, HC 99 LDV-DMD	1	
13	212546-102	PF SCS WLDMT, 85.81" LG, HC 102IN LDV-DMD	1	
14	267088-01	LINK, CART STOP	2	
15	299923-01	2-HOLE MIDLE LINK, CART STOP	1	
16	903705-02	RIVET,BLD,DOME,AL/ST .25X.6	8	
17	904719-03	PIN ROLL,.188 X.56LG,SS	4	

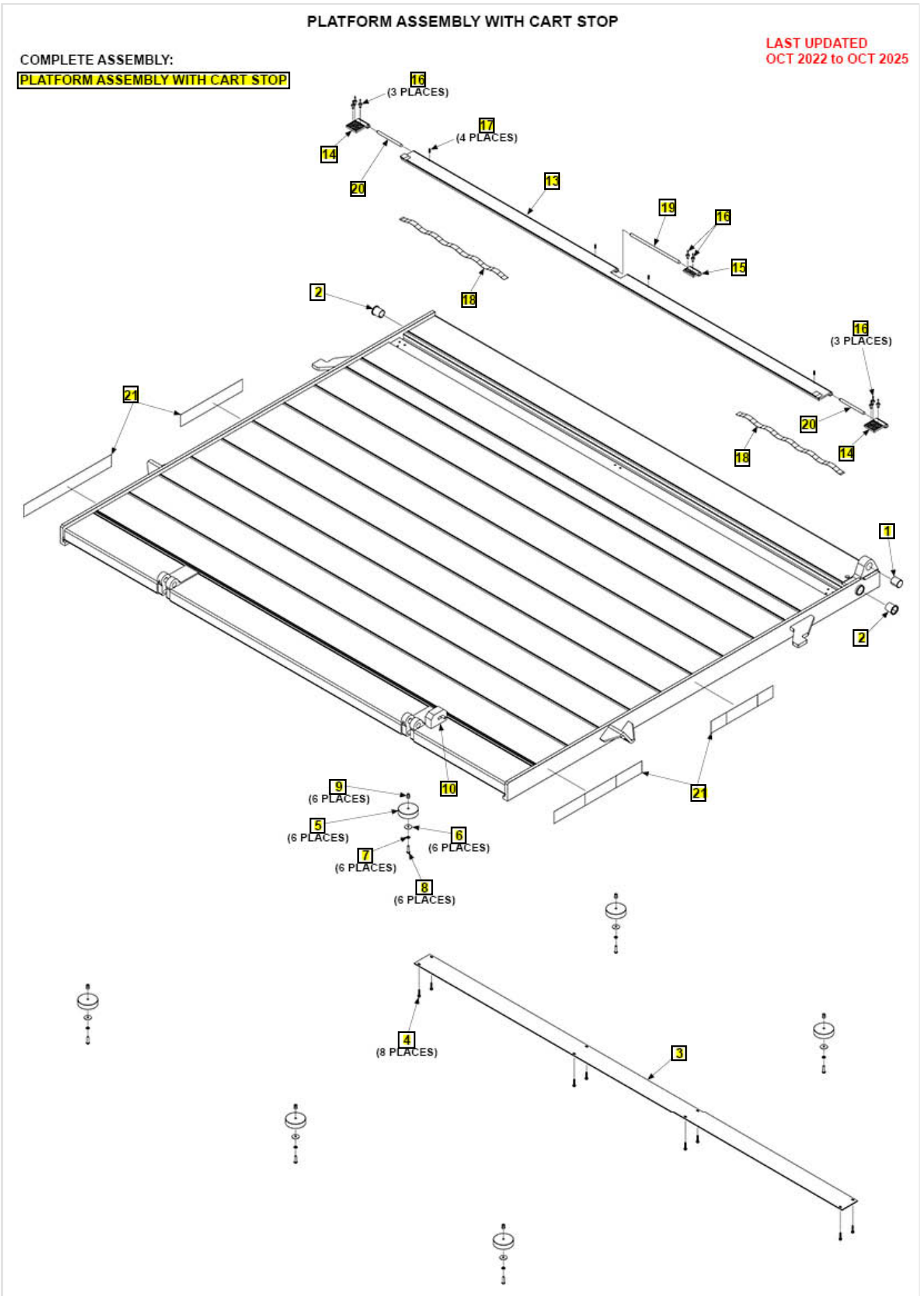
Pos	SKU	Description	Qty	Remark
18	267581-05	SPRING, F/OVER C/ST, .63X20.0"LG	2	
19	267094-04	PIN CART STOP,9.75"LG	1	
20	267094-03	PIN CART STOP,5"LG	2	
21	905185	TAPE, CONSPICUITY, RED/SIL2"W	1	
22	212535-01	KIT, FLIPOVER LATCH ASSY, DMD-TT	1	

PLATFORM ASSEMBLY WITH CART STOP

COMPLETE ASSEMBLY:

PLATFORM ASSEMBLY WITH CART STOP

LAST UPDATED
OCT 2022 to OCT 2025



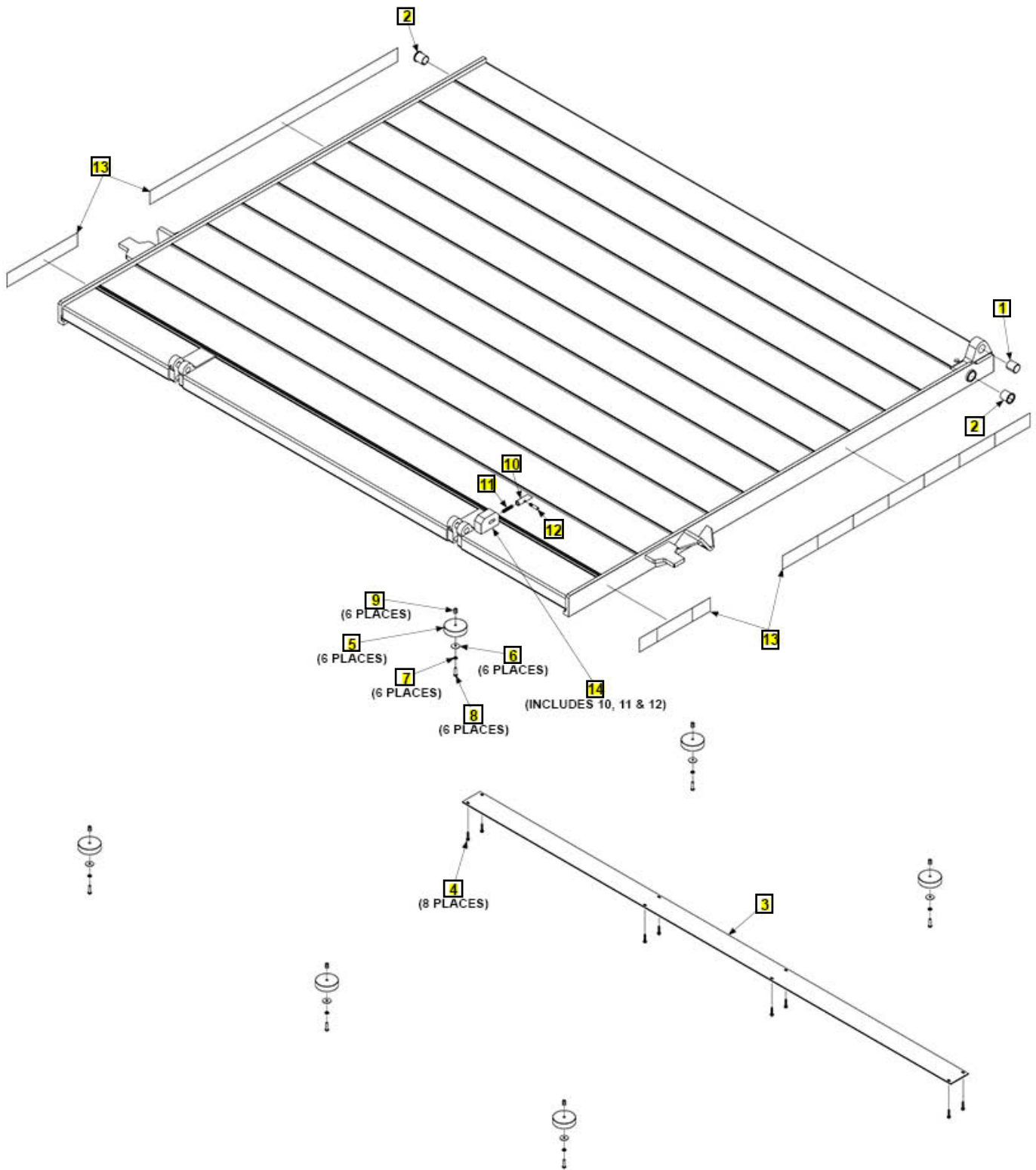
Pos	SKU	Description	Qty	Remark
REF	212625-01MG	P/F ASSY,AL.MG 86.5X72CS,HC 99 LDV-DMD	1	
REF	212625-02MG	P/F ASSY,AL.MG 91.5X72CS,HC 102 LDV-DMD	1	
1	260916-01	BEARING SELF LUBE 1DIA X 1.25IN	1	
2	908002-06	BEARING,SELF LUB 1DIA IDX1.25LG	2	
3	298401-201	AL COVER PLATE, 82.75" LG, PF 99 LDV-DMD	1	
3	298401-202	AL COVER PLATE, 87.75" LG, PF 102 LDV-DMD	1	
4	900835-01	410 SS SCREW, SELF-TAPPING, 10-24 UNC X 1" LG	8	
5	210827-01	ROUND BUMPER,UHMWPE,2.75 OD X .28 ID X .75 LG	6	
6	903409-06	WASHER,FEND .28 X1 OD,SS	6	
7	902019-3	WASHER,LOCK S/ST .487ODX.260ID	6	
8	900719-07	SCREW,BUTTON.25-20 X1 SS	6	
9	905074	RIVET, NUT INSERT .250-20X.530	6	
10	212535-01	KIT, FLIPOVER LATCH ASSY, DMD-TT	1	
13	212546-101	PF SCS WLDMT, 80.81IN LG, HC 99 LDV-DMD	1	
13	212546-102	PF SCS WLDMT, 85.81" LG, HC 102IN LDV-DMD	1	
14	267088-01	LINK, CART STOP	2	
15	299923-01	2-HOLE MIDLE LINK, CART STOP	1	
16	903705-02	RIVET,BLD,DOME,AL/ST .25X.6	8	
17	904719-03	PIN ROLL,.188 X.56LG,SS	4	
18	267581-05	SPRING, F/OVER C/ST, .63X20.0"LG	2	
19	267094-04	PIN CART STOP,9.75"LG	1	

Pos	SKU	Description	Qty	Remark
20	267094-03	PIN CART STOP,5"LG	2	
21	905185	TAPE, CONSPICUITY, RED/SIL2"W	1	

PLATFORM ASSEMBLY

COMPLETE ASSEMBLY:
PLATFORM ASSEMBLY

LAST UPDATED
NOV 2025 to present

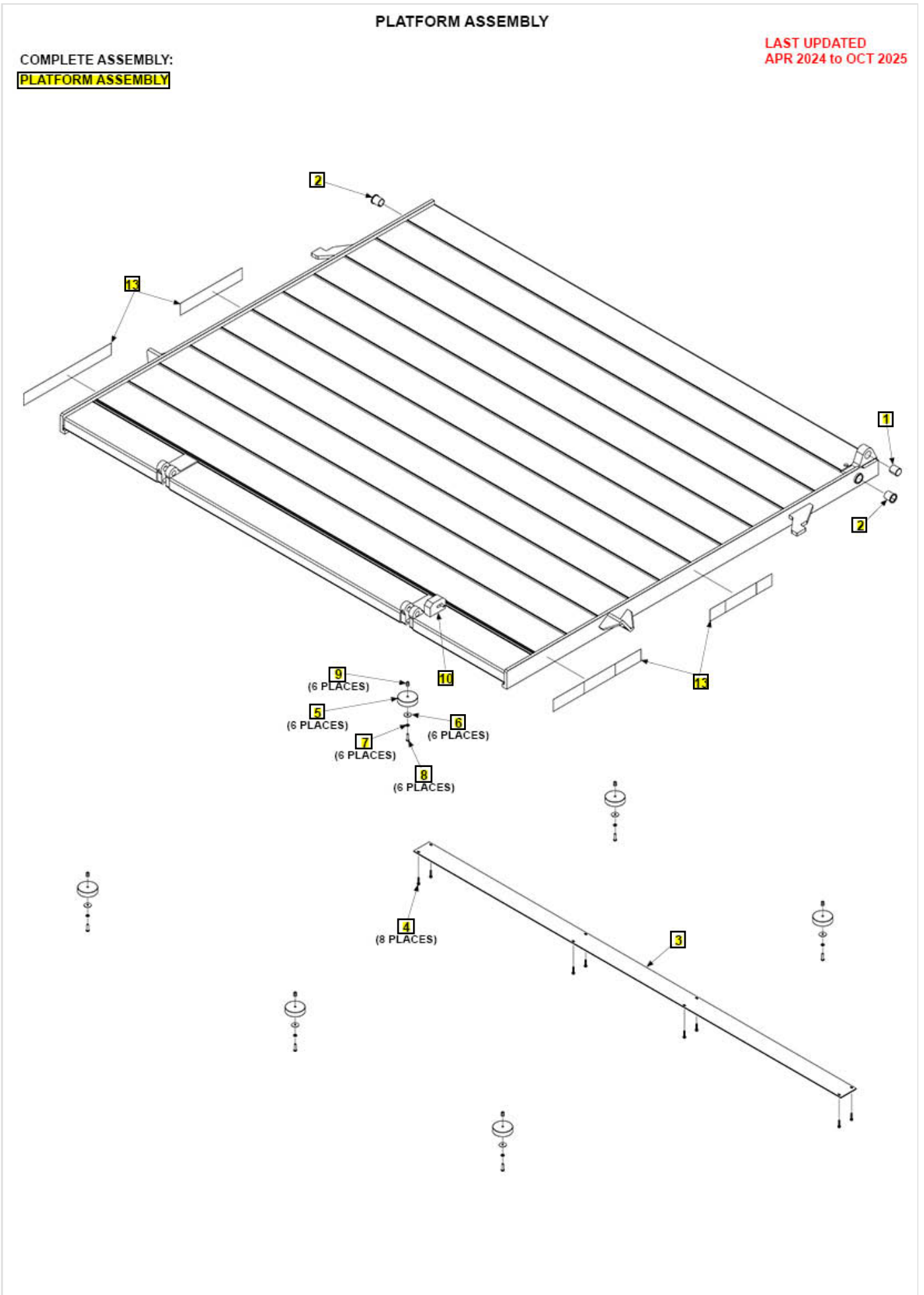


Pos	SKU	Description	Qty	Remark
REF	230594-01MG	AL PF ASSY, MG 86.5X72, NO CS&RL, 99 TT-DMD	1	
REF	230594-02MG	AL PF ASSY, MG 91.5X72, NO CS&RL, 102 TT-DMD	1	
1	260916-01	BEARING SELF LUBE 1DIA X 1.25IN	1	
2	908002-06	BEARING, SELF LUB 1DIA IDX1.25LG	2	
3	298401-201	AL COVER PLATE, 82.75" LG, PF 99 LDV-DMD	1	
3	298401-202	AL COVER PLATE, 87.75" LG, PF 102 LDV-DMD	1	
4	900835-01	410 SS SCREW, SELF-TAPPING, 10-24 UNC X 1" LG	8	
5	210827-01	ROUND BUMPER, UHMWPE, 2.75 OD X .28 ID X .75 LG	6	
6	903409-06	WASHER, FEND .28 X1 OD, SS	6	
7	902019-3	WASHER, LOCK S/ST .487OD X .260ID	6	
8	900719-07	SCREW, BUTTON.25-20 X1 SS	6	
9	905074	RIVET, NUT INSERT .250-20X.530	6	
10	212061-101	SS PLUNGER, FO LATCH, TT-DMD	1	
11	283957-01	SHOOT BOLT SPRING	1	
12	288636-01	SHOOT BOLT, 1.38" LG	1	
13	905185	TAPE, CONSPICUITY, RED/SIL2"W	1	
14	212535-01	KIT, FLIPOVER LATCH ASSY, DMD-TT	1	

PLATFORM ASSEMBLY

COMPLETE ASSEMBLY:
PLATFORM ASSEMBLY

LAST UPDATED
APR 2024 to OCT 2025



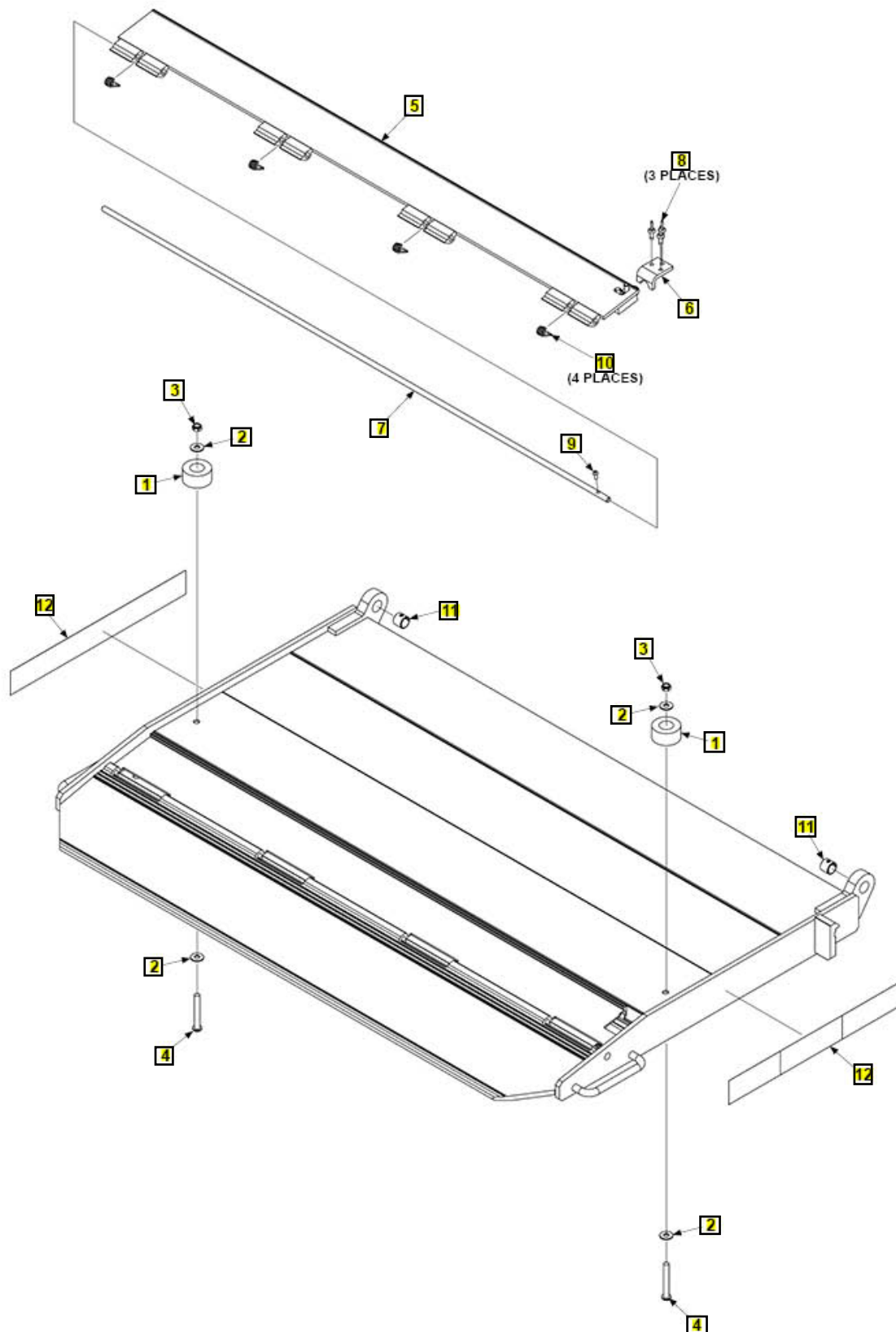
Pos	SKU	Description	Qty	Remark
REF	209884-01MG	PF ASSY,AL MG 86.5X72,99 LDV-DMD	1	
REF	209884-02MG	PF ASSY,AL MG 91.5X72,102 LDV-DMD	1	
1	260916-01	BEARING SELF LUBE 1DIA X 1.25IN	1	
2	908002-06	BEARING,SELF LUB 1DIA IDX1.25LG	2	
3	298401-201	AL COVER PLATE, 82.75" LG, PF 99 LDV-DMD	1	
3	298401-202	AL COVER PLATE, 87.75" LG, PF 102 LDV-DMD	1	
4	900835-01	410 SS SCREW, SELF-TAPPING, 10-24 UNC X 1" LG	8	
5	210827-01	ROUND BUMPER,UHMWPE,2.75 OD X .28 ID X .75 LG	6	
6	903409-06	WASHER,FEND .28 X1 OD,SS	6	
7	902019-3	WASHER,LOCK S/ST .487ODX.260ID	6	
8	900719-07	SCREW,BUTTON.25-20 X1 SS	6	
9	905074	RIVET, NUT INSERT .250-20X.530	6	
10	212535-01	KIT, FLIPOVER LATCH ASSY, DMD-TT	1	
13	905185	TAPE, CONSPICUITY, RED/SIL2"W	1	

FLIPOVER WITH SINGLE CART STOP

COMPLETE ASSEMBLY:

FLIPOVER WITH SINGLE CART STOP

LAST UPDATED
SEPT 2023 to present



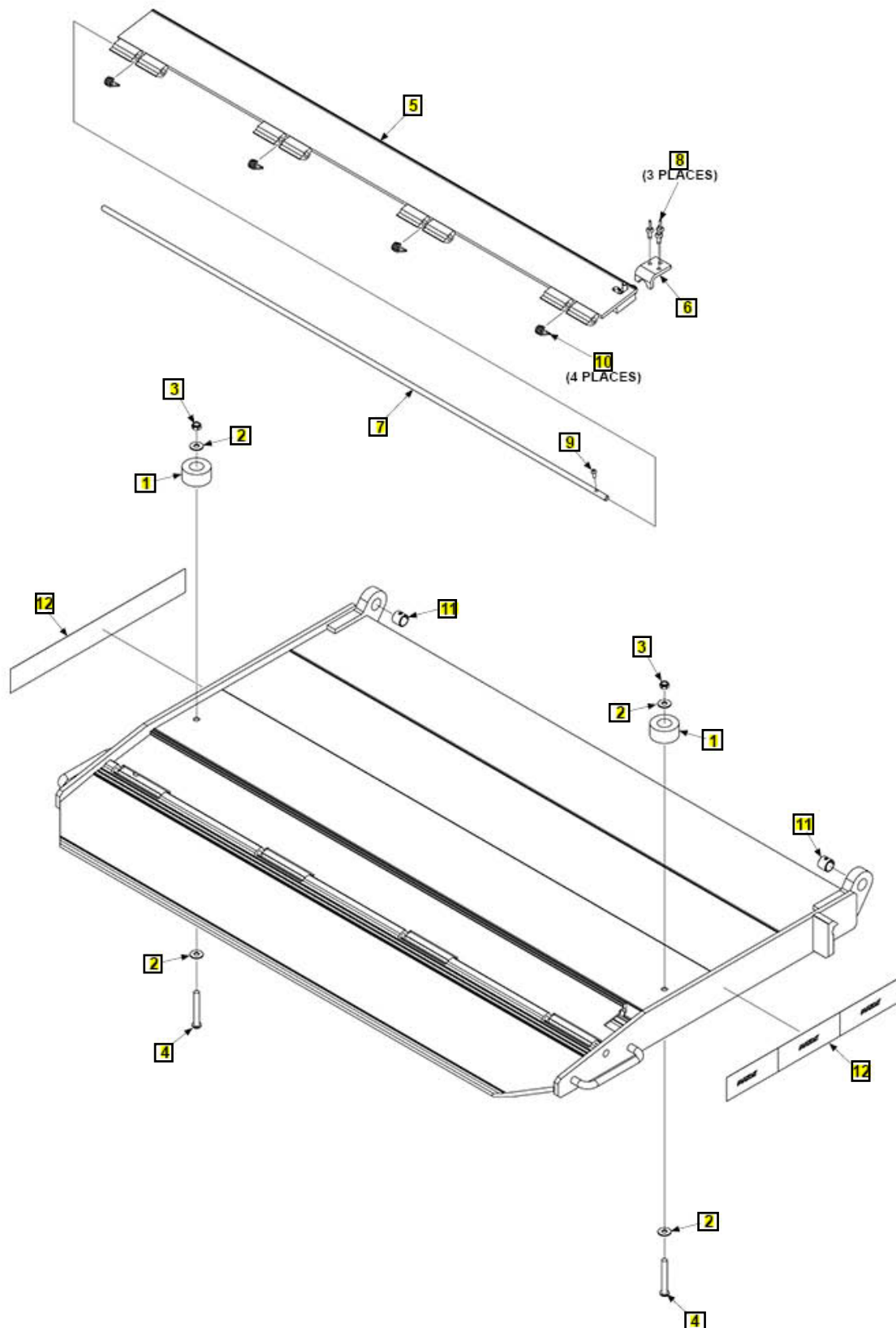
Pos	SKU	Description	Qty	Remark
REF	212135-101	F/O ASSY, AL. 48X(20+12CS),NO MX TAPE , TT-DMD	1	
1	253516	BUMPER, 2X1 RUBBER	2	
2	902001-2	WASHER, FLAT 3/8X1/16 ZC	4	
3	901016-4	NUT HEX THN HD LKG.375-16UNC	2	
4	900064-12	SCREW,BTN .38-16X2.75	2	
5	287447-401	SCS ASSY, 47IN LG, F/O TT-DMD	1	
6	287226-101	LATCH CATCHER, F/O CART STOP, TT-DMD	1	
7	210404-01	SS. .375 DIA. PIN, CART STOP, 49IN LG	1	
8	903715-04	RIVET,BL/DM,AL/AL .25X.37-.5	3	
9	900722-03	SCREW,BTN 10-24 X.5,SS	1	
10	282729-01	SPRING, C/S .08 WIRE, 302 SS	4	
11	260917-01	BEARING SELF LUBE 3/4X3/4	2	
12	905185	TAPE, CONSPICUITY, RED/SIL2"W	1	

FLIPOVER WITH SINGLE CART STOP

COMPLETE ASSEMBLY:

FLIPOVER WITH SINGLE CART STOP

LAST UPDATED
OCT 2022 to AUG 2023

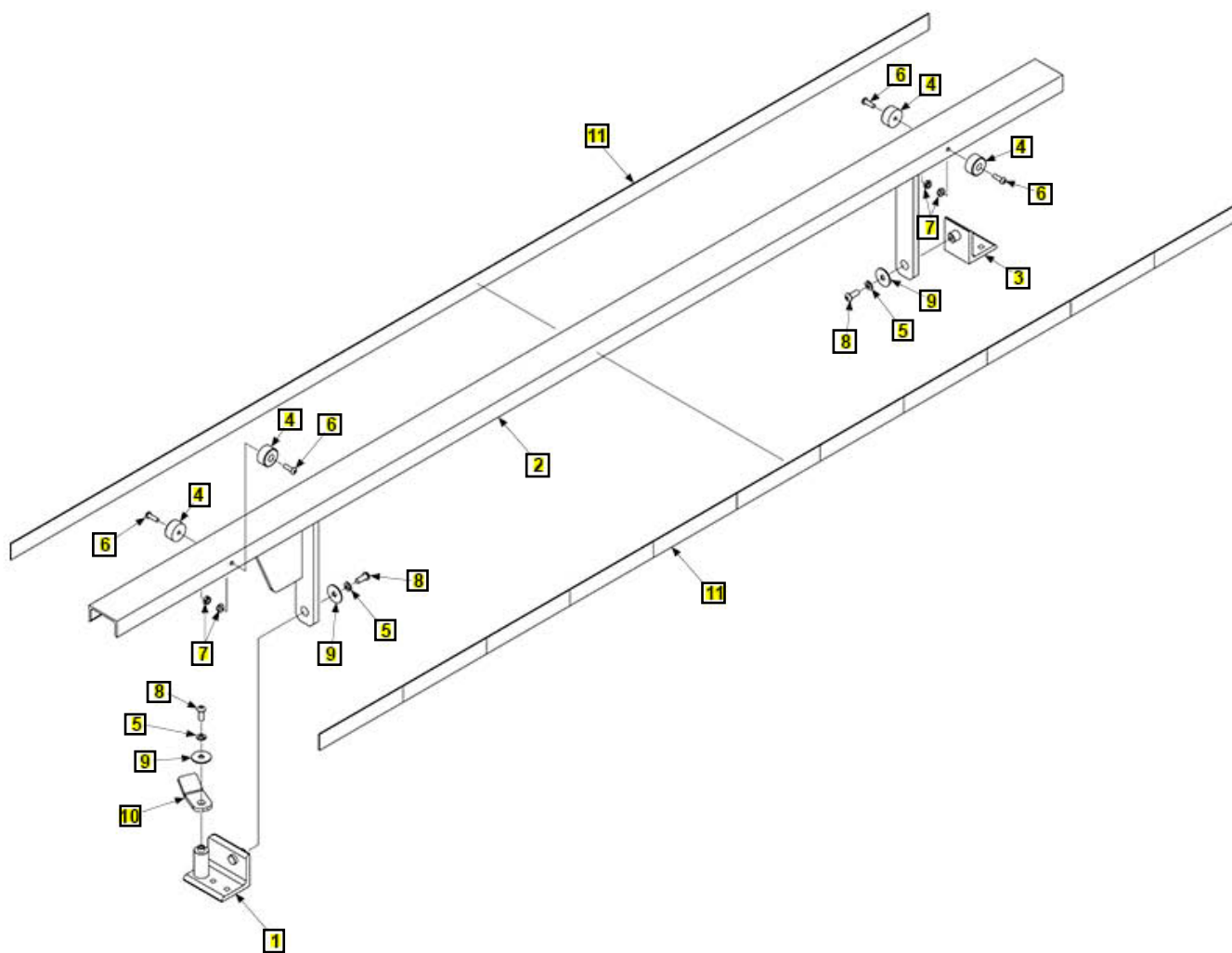


Pos	SKU	Description	Qty	Remark
REF	212135-01	F/O ASSY, AL. 48X(20+12 CS), TT-DMD	1	
1	253516	BUMPER, 2X1 RUBBER	2	
2	902001-2	WASHER, FLAT 3/8X1/16 ZC	4	
3	901016-4	NUT HEX THN HD LKG.375-16UNC	2	
4	900064-12	SCREW,BTN .38-16X2.75	2	
5	287447-401	SCS ASSY, 47IN LG, F/O TT-DMD	1	
6	287226-101	LATCH CATCHER, F/O CART STOP, TT-DMD	1	
7	210404-01	SS. .375 DIA. PIN, CART STOP, 49IN LG	1	
8	903715-04	RIVET,BL/DM,AL/AL .25X.37-.5	3	
9	900722-03	SCREW,BTN 10-24 X.5,SS	1	
10	282729-01	SPRING, C/S .08 WIRE, 302 SS	4	
11	260917-01	BEARING SELF LUBE 3/4X3/4	2	
12	908150-01	TAPE, CONSPICUITY, MAXON (UOM ROLL, 150FT PER)	1	

LEFT HAND RAIL ASSEMBLY

COMPLETE ASSEMBLY:
LEFT HAND RAIL ASSEMBLY

LAST UPDATED
SEPT 2023 to present

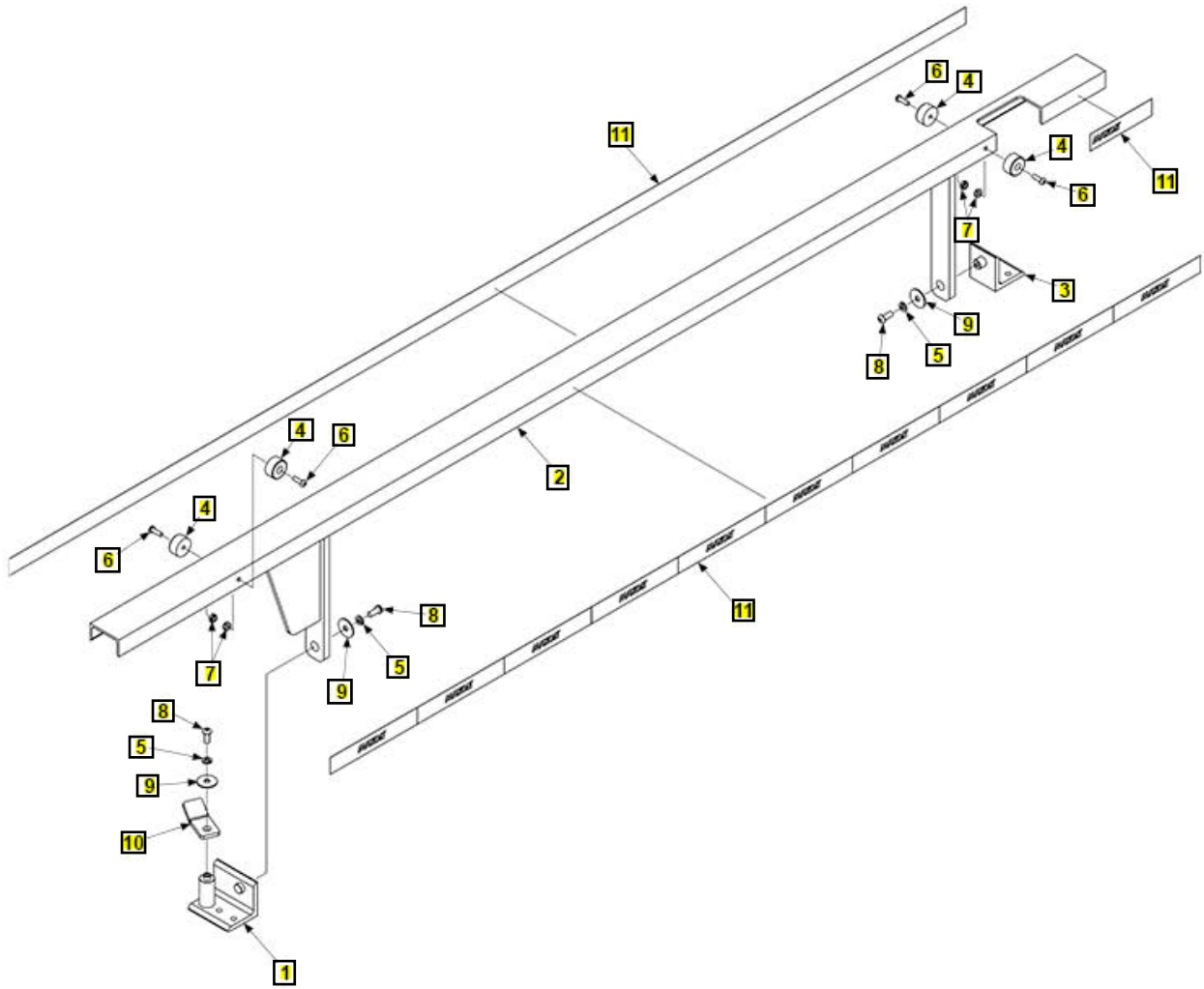


Pos	SKU	Description	Qty	Remark
REF	212645-101	LH PF RAIL ASSY,NO CUTOUT,LDV-DMD	1	
1	212649-01	LH LOCK BRACKET WLDMT, PF LDV-DMD	1	
2	212646-101	LH RAIL WLDMT,NO CUTOUT,PF LDV-DMD	1	
3	212650-01	AL. ANGLE BRCKT WLDMT, PF RAIL, LDV-DMD	1	
4	905314-04	BUMPER,CYL W/WASHER,DIA 1.0X.5	4	
5	902019-3	WASHER,LOCK S/ST .487ODX.260ID	3	
6	900722-04	SCREW,BTN 10-24 X.63,SS	4	
7	903129-01	NUT, NYL INSRT THIN 10-24 SS	4	
8	900719-04	SCREW,BUTTON.25-20 X.63 SS	3	
9	903409-06	WASHER,FEND .28 X1 OD,SS	3	
10	212651-01	AL. LOCK, PF RAIL, LDV-DMD	1	
11	901037-01	TRAILER REFLECTIVE TAPE, 1"W X 50YARDS	1	

LEFT HAND RAIL ASSEMBLY

COMPLETE ASSEMBLY:
LEFT HAND RAIL ASSEMBLY

LAST UPDATED
OCT 2022 to AUG 2023

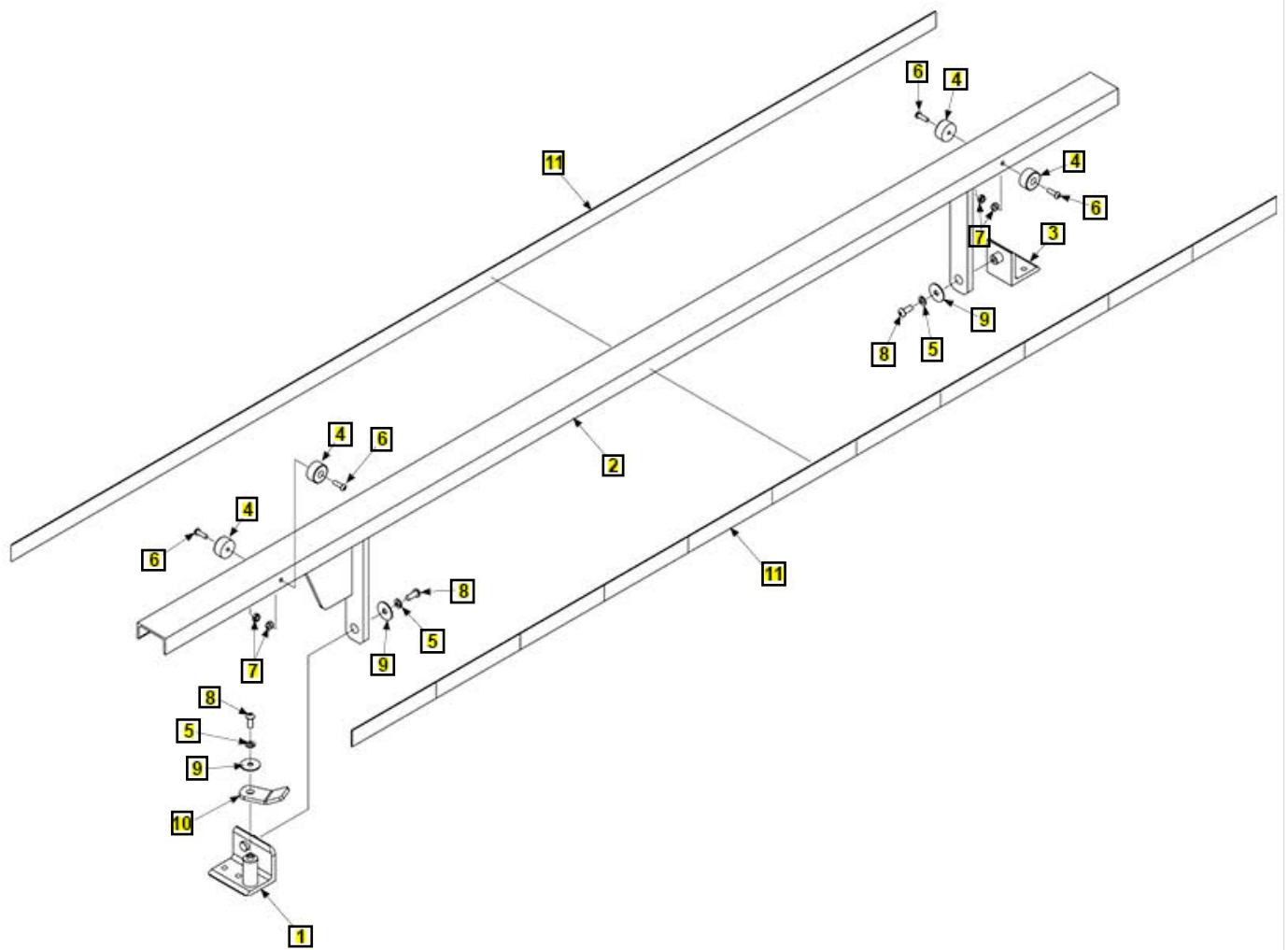


Pos	SKU	Description	Qty	Remark
REF	212645-01	LH PF RAIL ASSY, LDV-DMD	1	
1	212649-01	LH LOCK BRACKET WLDMT, PF LDV-DMD	1	
2	212646-01	LH ROLL-OFF RAIL WLDMT,PF LDV-DMD	1	
3	212650-01	AL. ANGLE BRCKT WLDMT, PF RAIL, LDV-DMD	1	
4	905314-04	BUMPER,CYL W/WASHER,DIA 1.0X.5	4	
5	902019-3	WASHER,LOCK S/ST .487ODX.260ID	3	
6	900722-04	SCREW,BTN 10-24 X.63,SS	4	
7	903129-01	NUT, NYL INSRT THIN 10-24 SS	4	
8	900719-04	SCREW,BUTTON.25-20 X.63 SS	3	
9	903409-06	WASHER,FEND .28 X1 OD,SS	3	
10	212651-01	AL. LOCK, PF RAIL, LDV-DMD	1	
11	908212-01	TAPE 1", CONSPICUITY, MAXON	1	

RIGHT HAND RAIL ASSEMBLY

COMPLETE ASSEMBLY:
RIGHT HAND RAIL ASSEMBLY

LAST UPDATED
SEPT 2023 to present



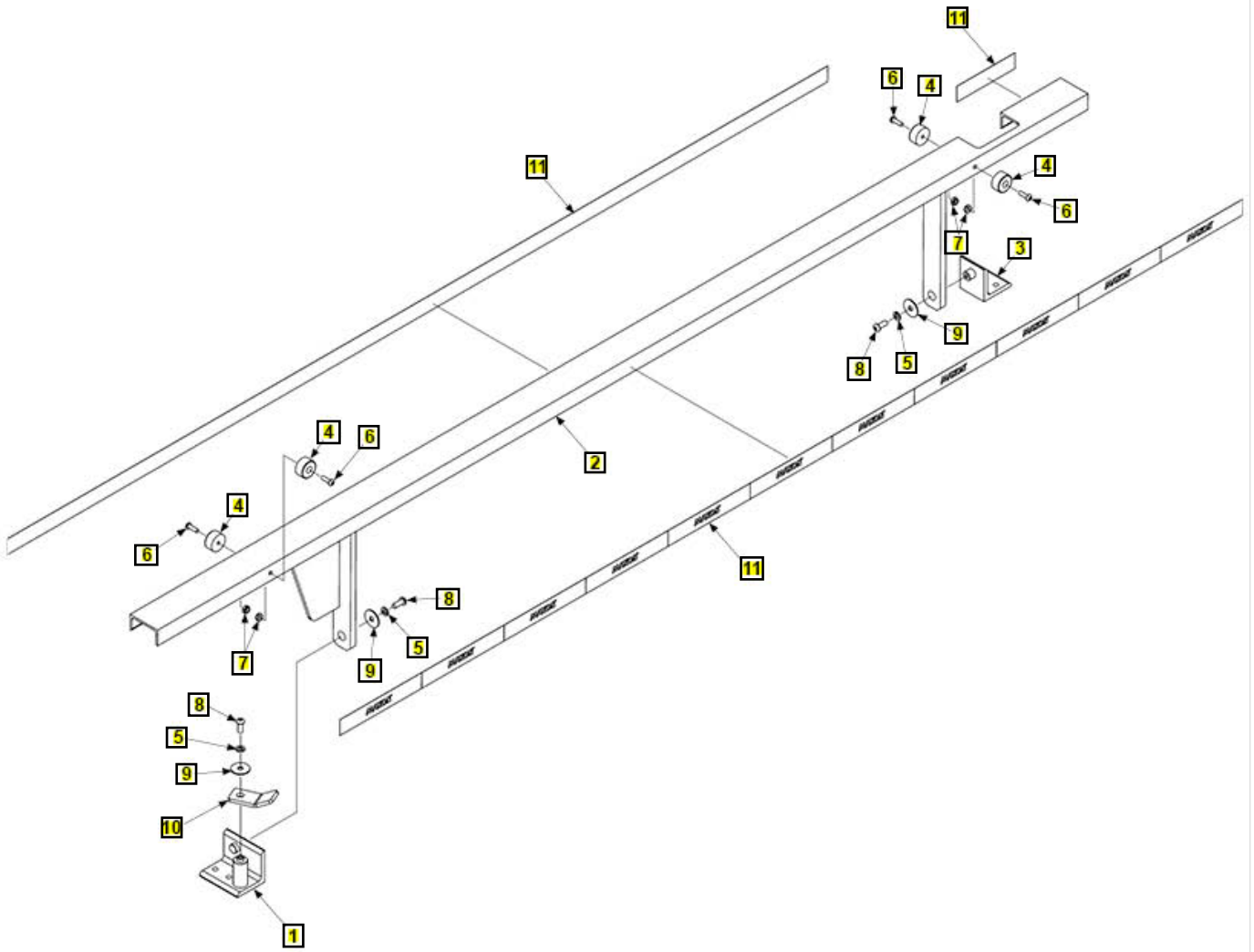
Pos	SKU	Description	Qty	Remark
REF	212645-102	RH PF RAIL ASSY,NO CUTOUT,LVD-DVD	1	
1	212649-02	RH LOCK BRACKET WLDMT, PF LDV-DMD	1	
2	212646-102	RH RAIL WLDMT,NO CUTOUT,PF LDV-DMD	1	
3	212650-01	AL. ANGLE BRCKT WLDMT, PF RAIL, LDV-DMD	1	
4	905314-04	BUMPER,CYL W/WASHER,DIA 1.0X.5	4	
5	902019-3	WASHER,LOCK S/ST .487ODX.260ID	3	
6	900722-04	SCREW,BTN 10-24 X.63,SS	4	
7	903129-01	NUT, NYL INSRT THIN 10-24 SS	4	
8	900719-04	SCREW,BUTTON.25-20 X.63 SS	3	
9	903409-06	WASHER,FEND .28 X1 OD,SS	3	
10	212651-01	AL. LOCK, PF RAIL, LDV-DMD	1	
11	901037-01	TRAILER REFLECTIVE TAPE, 1"W X 50YARDS	1	

RIGHT HAND RAIL ASSEMBLY

COMPLETE ASSEMBLY:

RIGHT HAND RAIL ASSEMBLY

LAST UPDATED
OCT 2022 to AUG 2023



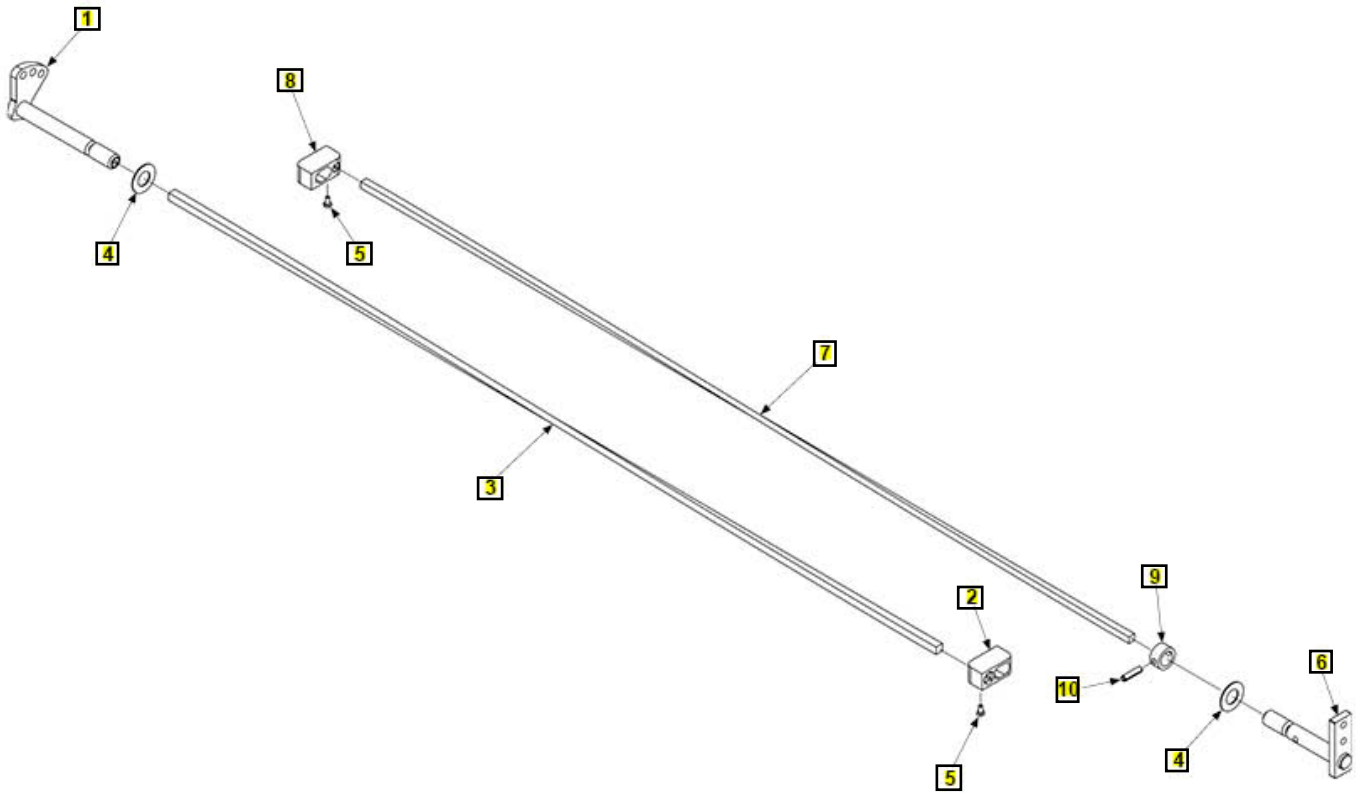
Pos	SKU	Description	Qty	Remark
REF	212645-02	RH PF RAIL ASSY, LVD-DVD	1	
1	212649-02	RH LOCK BRACKET WLDMT, PF LDV-DMD	1	
2	212646-02	RH ROLL-OFF RAIL WLDMT,PF LDV-DMD	1	
3	212650-01	AL. ANGLE BRCKT WLDMT, PF RAIL, LDV-DMD	1	
4	905314-04	BUMPER,CYL W/WASHER,DIA 1.0X.5	4	
5	902019-3	WASHER,LOCK S/ST .487ODX.260ID	3	
6	900722-04	SCREW,BTN 10-24 X.63,SS	4	
7	903129-01	NUT, NYL INSRT THIN 10-24 SS	4	
8	900719-04	SCREW,BUTTON.25-20 X.63 SS	3	
9	903409-06	WASHER,FEND .28 X1 OD,SS	3	
10	212651-01	AL. LOCK, PF RAIL, LDV-DMD	1	
11	908212-01	TAPE 1", CONSPICUITY, MAXON	1	

TORSION BAR KIT

COMPLETE ASSEMBLY:

TORSION BAR KIT

LAST UPDATED
OCT 2022 to present



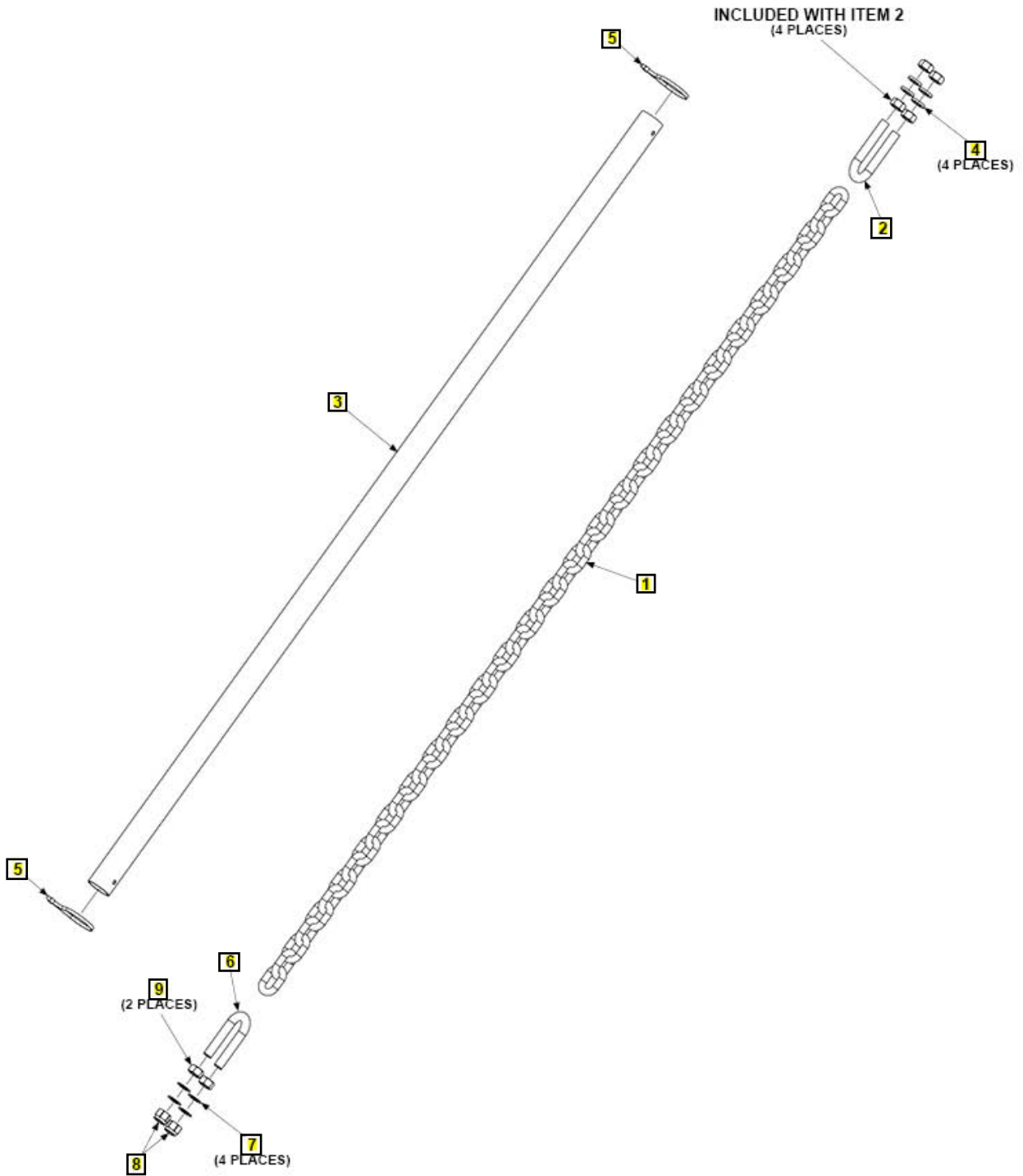
Pos	SKU	Description	Qty	Remark
REF	297687-101	9/16-1/2 SS TORSION BAR KIT, HC TT-DMD	1	
1	297757-101	LH PIN WLDMT 9/16IN, SS, DMD	1	
2	297762-101	TORSION BAR HOUSING, 9/16IN SS, DMD	1	
3	297760-01	TORSION BAR 68.75 LG	1	
4	908078-01	FB THRUST BEARING, 1ID	2	
5	901603-02	BOLT, HEX .250-20X.5, 18-8 SS	2	
6	212330-01	SS 1IN PIN WELDT, 1/2IN TOR. BAR, RH HC DMD	1	
7	263041-01	TORSION BAR 68.75IN LG	1	
8	297689-101	TORSION BAR HOUSING, 1/2IN SS, DMD	1	
9	253630-01	PIN COLLAR,SS	1	
10	904723-04	PIN ROLL,.38DIAX1.5LG,SS	1	

CHAIN ASSEMBLY

COMPLETE ASSEMBLY:

CHAIN ASSEMBLY

LAST UPDATED
OCT 2022 to present



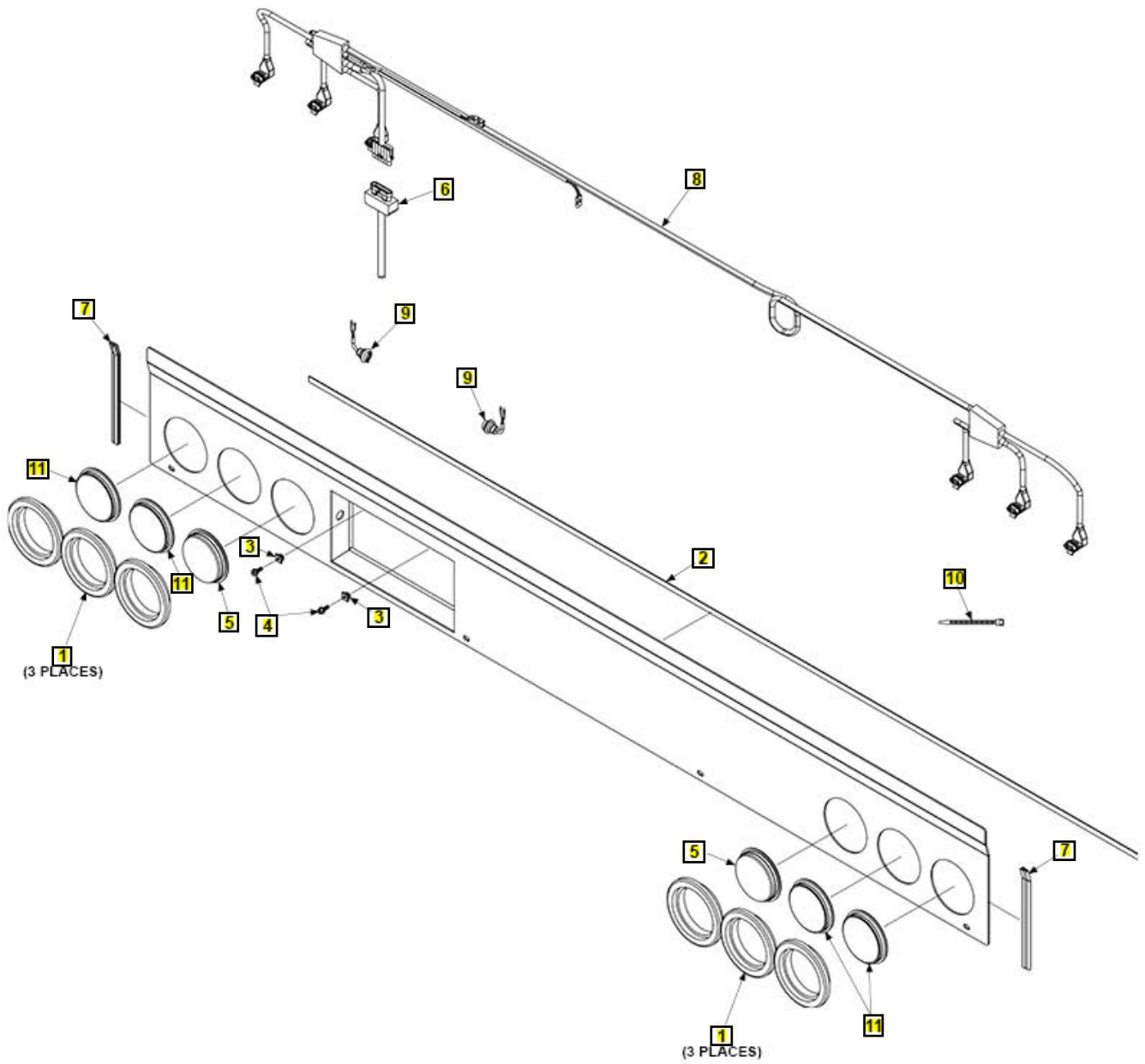
Pos	SKU	Description	Qty	Remark
REF	210535-01	CHAIN ASSY, YELLOW SLEEVE, 60IN LG, TT-DMD	1	
1	253606-18	CHAIN, 56.77LG	1	
2	288727-01	U-BOLT, 1/2" O.D.	1	
3	299082-09	YELLOW NYLON SLEEVE 55.0IN	1	
4	902019-7	WASHER, LOCK S/ST .869ODX.512ID	4	
5	205780	TIE, PLASTIC 7" (50 LB)	2	
6	282854-01	U-BOLT	1	
7	903456-02	WASHER, FLAT .5 DIA X.03 THK, SS	4	
8	903117-01	NUT, NYLON.5-13 UNC-2B SS	2	
9	903107-04	NUT, HEX .5-13 UNC SS	2	

COVER ASSEMBLY (6 LIGHTS)

COMPLETE ASSEMBLY:

COVER ASSEMBLY (6 LIGHTS)

LAST UPDATED
OCT 2022 to present

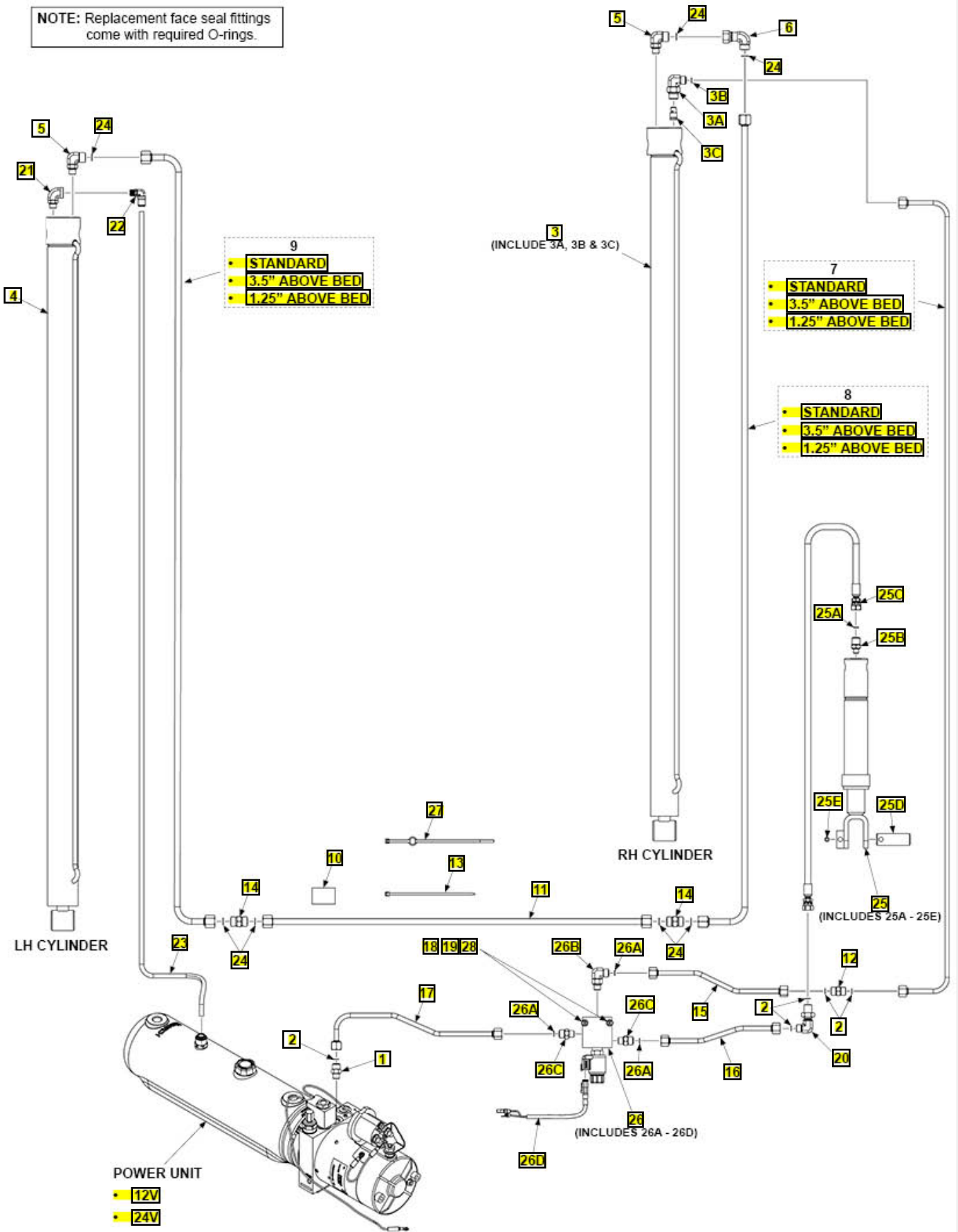


Pos	SKU	Description	Qty	Remark
REF	212655-102-12	AL. COVER ASSY, 12V, 4R2W, 102 LDV-DMD	1	
REF	212655-102-24	AL. COVER ASSY, 24V, 4R2W, 102 LDV-DMD	1	
REF	212655-99-12	AL. COVER ASSY, 12V, 4R2W, 99 LDV-DMD	1	
REF	212655-99-24	AL. COVER ASSY, 24V, 4R2W, 99 LDV-DMD	1	
1	226412	LIGHT GROMMET	6	
2	283716-01	VINYL/BUNA-N RUBBER,87.25" LG	1	
2	283716-03	VINYL/BUNA-N RUBBER,86.25" LG	1	
3	901015-03	NUT, GROMMET NYLON SQHD #.25	2	
4	030460	SCREW 1/4 X 3/4"	2	
5	907446-24	4IN CLEAR LED BACKUP LT, MOD 44, TRUCK-LITE, 24V	2	
5	908273-01	4" LED BACKUP LT, MOD 44, TRUCK-LITE	2	
6	297491-101	DMD JUMPER, FOREIGN & DOMESTIC, #10 RING	1	
7	093262-10	TOP SEAL EDGE TRIM, 1/8IN EDGE, 9IN LG	2	
8	297797-01	HARNES ASSY, 6LTS, FOREIGN	1	
9	907445-01	LED LICENSE PLATE LIGHT, 9-32V	2	
10	205780	TIE, PLASTIC 7" (50 LB)	7	
11	907442-24	4IN RED LED LT, MOD44 S/T/T, TRUCK-LITE, 24V	4	
11	908271-01	4" RED LED LT, MOD 44, TRUCK-LITE	4	

HYDRAULIC SYSTEMS

LAST UPDATED
OCT 2022 to present

NOTE: Replacement face seal fittings come with required O-rings.



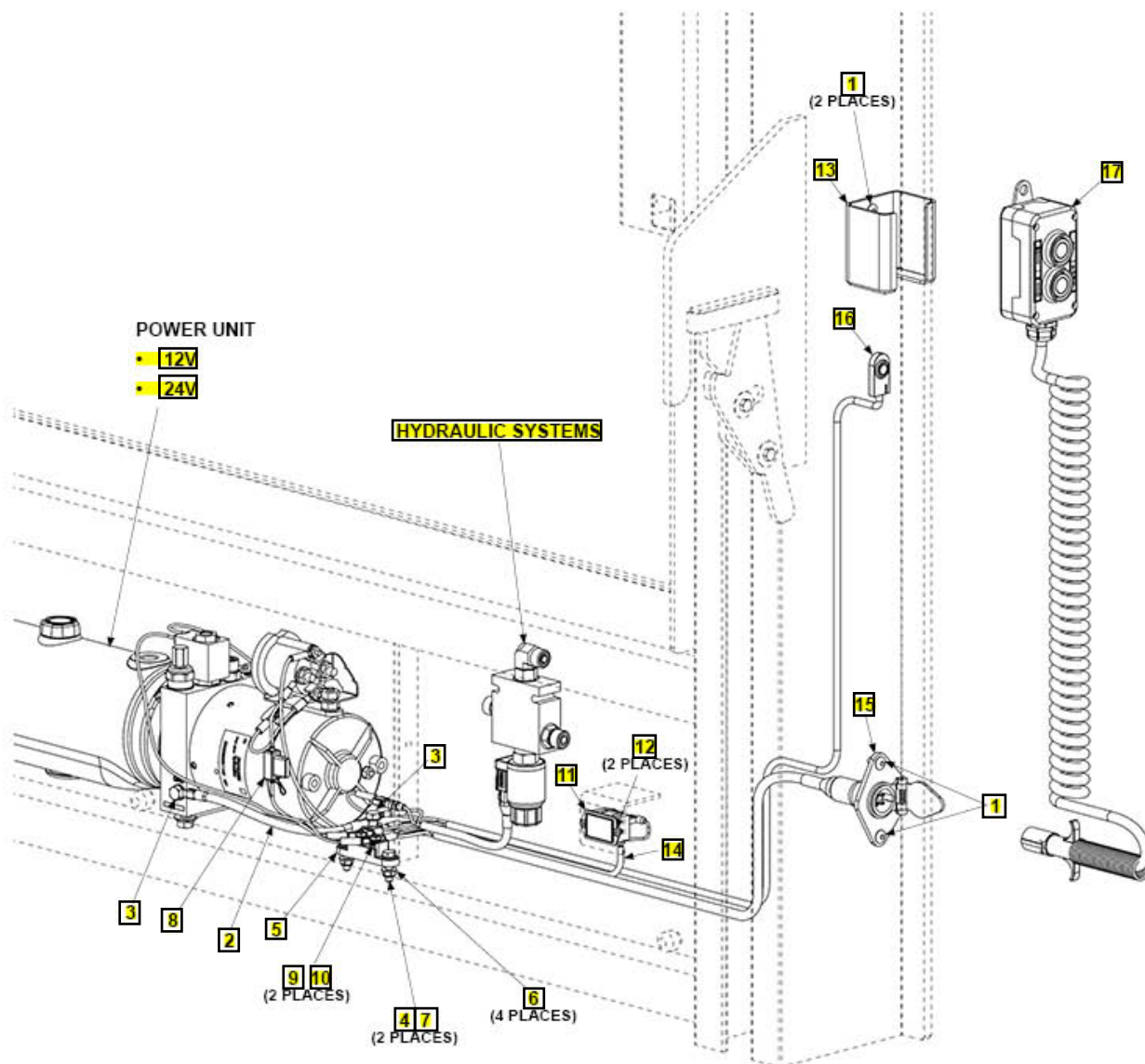
Pos	SKU	Description	Qty	Remark
1	905173	CONNECTOR F/S#6&O-R#6, M-M	1	
2	906712-02	O-RING #6, 3/8 ORFS TUBE END	5	
3	296916-01	MASTER CYL, 2.016X52.31X1	1	
3A	290270	ELBOW, 90, SAE6-8, ORFS	1	
3B	906712-02	O-RING #6, 3/8 ORFS TUBE END	1	
3C	269413	POPPET ASSY, PCMP FL,GPM2.00	1	
4	296917-01	SLAVE CYL, 2.25X52.31X1	1	
5	905158	ELBOW STRAIGHT, F/S#-O-R #6	2	
6	906800-02	ELBOW, SW NUT, ORFS M/F, #8	1	
7-S	297001-11	3/8 F/S TUBE ASSY, RH, 2AB DMD	1	
7-3	297001-09	F/S TUBE ASSY, RH, 3.5 LDV-DMD	1	
7-1	297001-10	F/S TUBE ASSY, RH, STD LDV-DMD	1	
8-S	296994-01	F/S TUBE ASSY, RETURN LINE RH STD	1	
8-3	296994-06	F/S TUBE ASSY, RH, 64.88IN LG, 3.5IN AB, TT-DMD	1	
8-1	296994-08	F/S TUBE ASSY, RETURN LINE RH, 1.25AB DMD	1	
9-S	296993-01	F/S TUBE ASSY, COLUMN LH, STD	1	
9-3	296993-06	F/S TUBE ASSY, LH, 66.25IN LG, 3.5IN AB, TT-DMD	1	
9-1	296993-08	F/S TUBE ASSY, COLUMN LH, 1.25 AB DMD	1	
10	283717-01	TUBE ASSY RUBBER, 3/8 X 2" LG	4	
11	210191-101	1/2 TUBE ASSY, HOR. PWR LINE ,99 LDV-TT-DMD	1	

Pos	SKU	Description	Qty	Remark
11	210191-102	1/2 TUBE ASSY,HOR.PWR LINE ,102 LDV-TT-DMD	1	
12	905175	UNION F/S #6 M-M	1	
13	205780	TIE, PLASTIC 7" (50 LB)	6	
14	905161	UNION F/S #8, M-M	2	
15	210193-01	3/8 TUBE ASSY, HC DMD	1	
16	297784-01	H/C HYD LINE ASSY	1	
17	298477-01	3/8 HYD LINE ASSY, 13.94IN LG	1	
18	900719-10	SCREW, BUTN, .25-20X1.75,SS	2	
19	903412-01	WASHER,FLAT .25,SS	4	
20	905162	ELBOW BULKHEAD UNION F/S #6	1	
21	906920-01	ELBOW, STR THR #6 O-R &.25NPT, M-F	1	
22	908300-01	SWIVEL ELBOW, BRASS, 1/4 NPT X 3/8 TUBE	1	
23	905397-101	TUBING, BLK PUR, 3/8 O.D. X 1/4 I.D., 10FT	1	
24	906712-03	O-RING #8, 1/2 ORFS TUBE END	7	
25	297785-101	H/C CYL ASSY, SST PIN, P/F FOLDING, DMD	1	
25A	906712-02	O-RING #6, 3/8 ORFS TUBE END	1	
25B	906759-01	CONNECTOR #6FS, #4OR,M-M	1	
25C	298487-01	HC CYL HOSE ASSY, 1/4IN ID X 50IN LG	1	
25D	283204-18	PIN 1.0IN DIA. X 2.88IN LG W/H, SST	1	
25E	904723-04	PIN ROLL,.38DIAX1.5LG,SS	1	
26	210702-12	3W/2P VALVE ASSY, 12V H/C TT-DMD	1	
26	210702-24	3W/2P VALVE ASSY, 24V H/C TT-DMD	1	

Pos	SKU	Description	Qty	Remark
26A	906712-02	O-RING #6, 3/8 ORFS TUBE END	3	
26B	906704-02	ELBOW,NPSC,SAE #6 F/S O-R M-M	1	
26C	905173	CONNECTOR F/S#6&O-R#6, M-M	2	
26D	210701-01	3/2 VALVE HARNESS ASSY, TT-DMD	1	
27	907448-01	8IN CABLE TIE,PUSH TO MOUNT, 50LB, .03-.28 PNL	9	
28	903132-01	NUT, NYL INSRT, THN .25-20, SS	2	

ELECTRICAL SYSTEMS (STANDARD)

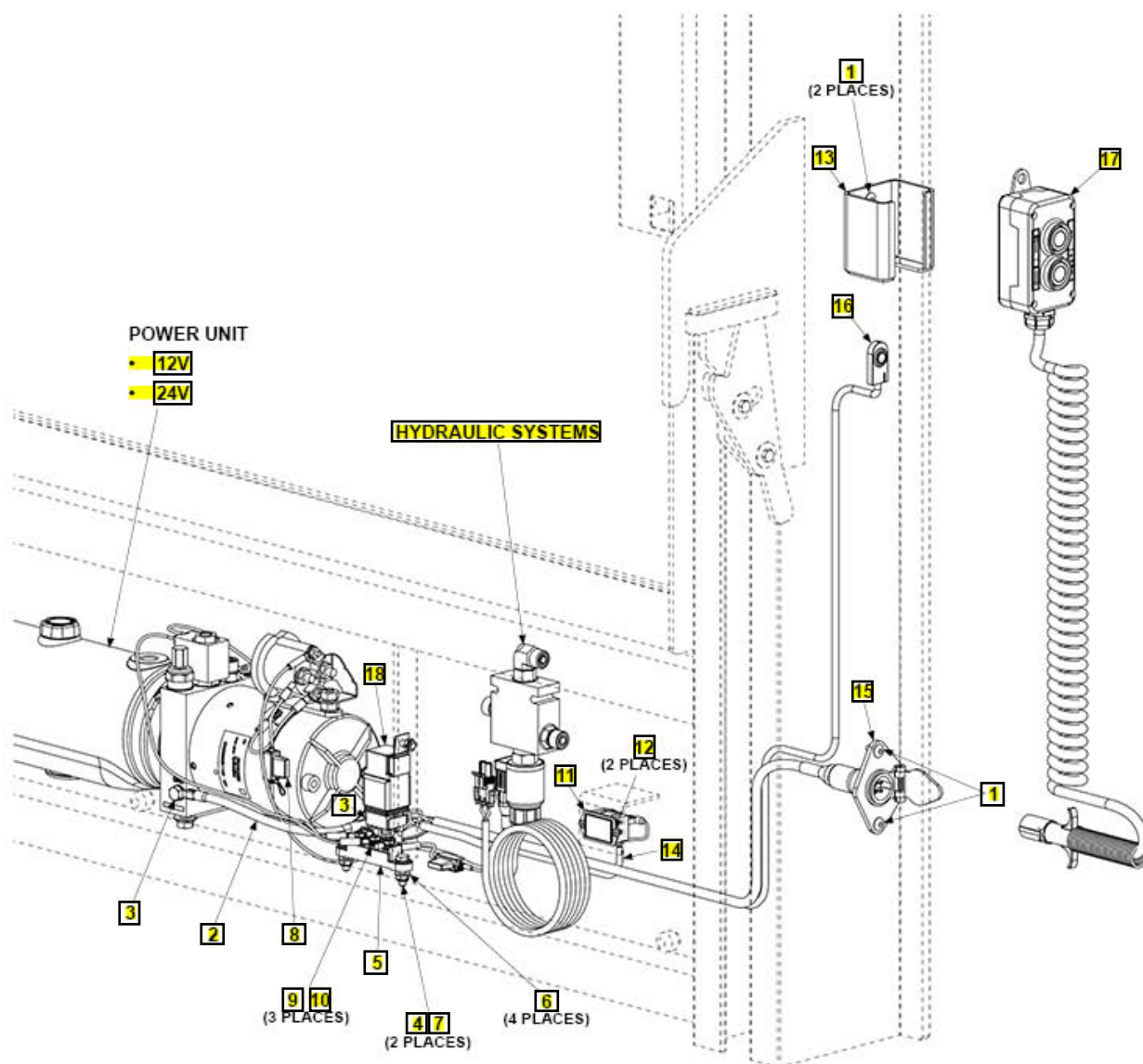
LAST UPDATED
OCT 2022 to present



Pos	SKU	Description	Qty	Remark
1	5-05019-01	AVDEL MONOBOLT FASTENER	4	
2	284283-03	CABLE ASSY, 10.88IN LG	1	
3	901602-02	BOLT, HEX .313-18X.50, 18-8 SS	2	
4	901603-06	BOLT, HEX .250-20X1, 18-8 SS	2	
5	907279-01	JUNCTION BLOCK, TWO STUD	1	
6	903412-01	WASHER,FLAT .25,SS	4	
7	903132-01	NUT, NYL INSRT, THN .25-20, SS	2	
8	297920-01	10A FUSE ASSY, #10-.38 RING TERM	1	
9	903401-01	WASHER,EXT.TOOTH,.195 ID	2	
10	903107-06	NUT, HEX 10-24 UNC SS	2	
11	297269-01	DIGITAL CYCLE COUNTER	1	
12	903721-02	RIVET, BL/DM, SS .16X.13-.19	2	
13	210699-01	CONTROL BOX HANGER, TT-DMD	1	
14	298684-01	CYCLE COUNTER HARNESS	1	
15	210413-01	4-WAY SOCKET-CABLE ASSY, TT-DMD	1	
16	298662-01	H/C SWITCH ASSY	1	
17	212516-01	2-BTN CTL PENDANT, SCARLET, GD TT-DMD	1	

ELECTRICAL SYSTEMS (ABOVE BED)

LAST UPDATED
OCT 2022 to present



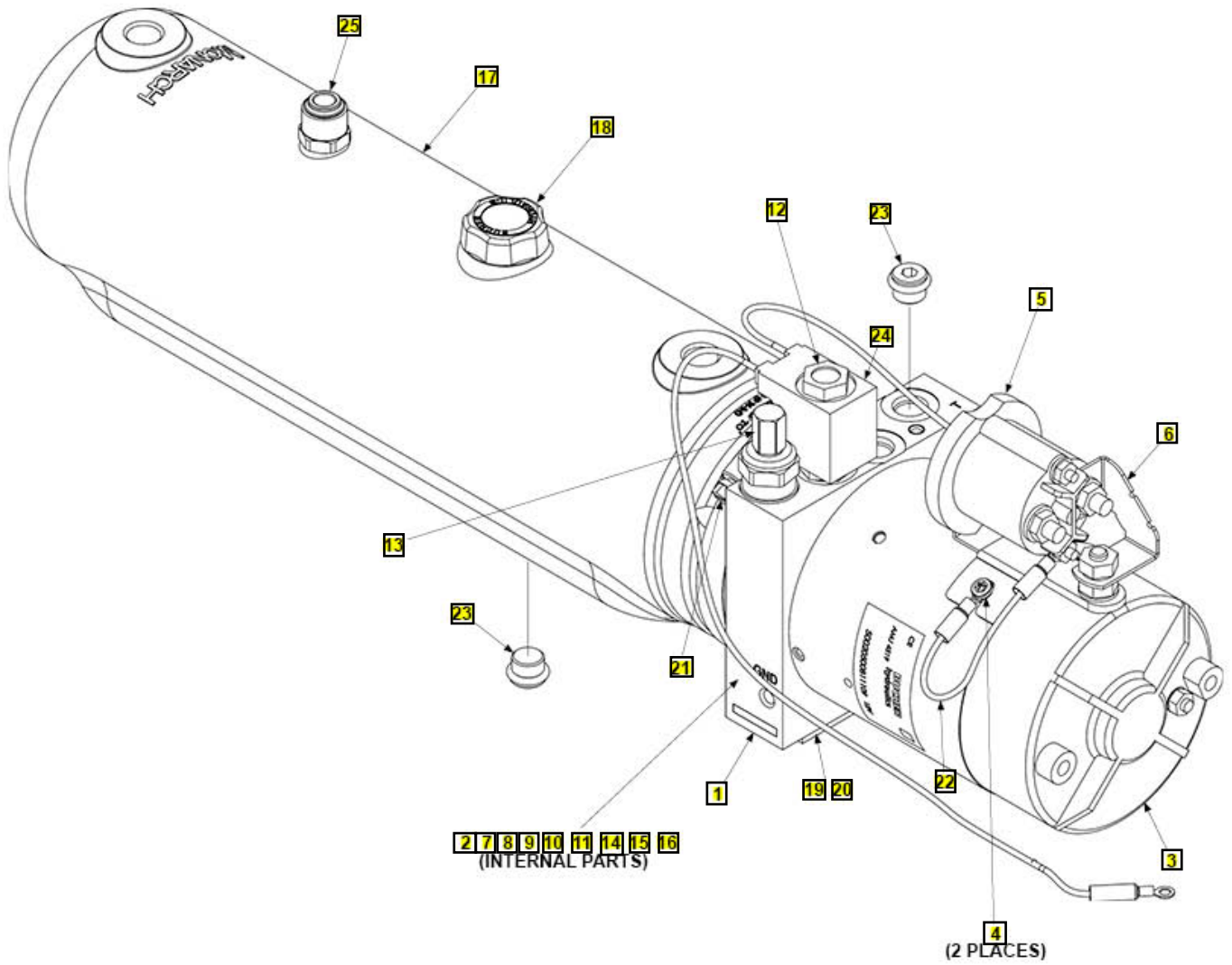
Pos	SKU	Description	Qty	Remark
1	5-05019-01	AVDEL MONOBOLT FASTENER	4	
2	284283-03	CABLE ASSY, 10.88IN LG	1	
3	901602-02	BOLT, HEX .313-18X.50, 18-8 SS	2	
4	901603-06	BOLT, HEX .250-20X1, 18-8 SS	2	
5	906616-04	JUNCTION BLOCK, 3 STUD	1	
6	903412-01	WASHER,FLAT .25,SS	4	
7	903132-01	NUT, NYL INSRT, THN .25-20, SS	2	
8	297920-01	10A FUSE ASSY, #10-.38 RING TERM	1	
9	903401-01	WASHER,EXT.TOOTH,.195 ID	3	
10	903107-06	NUT, HEX 10-24 UNC SS	3	
11	297269-01	DIGITAL CYCLE COUNTER	1	
12	903721-02	RIVET, BL/DM, SS .16X.13-.19	2	
13	210699-01	CONTROL BOX HANGER, TT-DMD	1	
14	298684-01	CYCLE COUNTER HARNESS	1	
15	210413-01	4-WAY SOCKET-CABLE ASSY, TT-DMD	1	
16	298662-01	H/C SWITCH ASSY	1	
17	212516-01	2-BTN CTL PENDANT, SCARLET, GD TT-DMD	1	
18	212622-01	DOOR SWITCH CABLE ASSY, LDV-DMD	1	

12 VDC POWER UNIT

COMPLETE ASSEMBLY:

12 VDC POWER UNIT

LAST UPDATED
AUG 2018 to present



Pos	SKU	Description	Qty	Remark
REF	297922-01	12 VDC POWER UNIT G/D	1	
1	290217	BASE ASSY, M3419, AP100, STD MOTOR	1	
2	290218	PUMP, AP100/2.2, EXT TANG, NO CVRS	1	
3	280170	MOTOR	1	
4	269340	SCREW,PAN HD,TORX,10-32X5/16	2	
5	269339	SWITCH,SOL ACT MTR ST, 12 VDC	1	
6	286599	STRAP, MOTOR-COLENOID CONNECTING	1	
7	269324	O-RING,SHAPED,UP100 & UP110	1	
8	297564	PIN,DOWEL,5MM X 7MM,AP100	8	
9	269328	COVER REAR,AP100 309,.375 NPT	1	
10	269326	O-RING,SHAPED,REAR COVER,AP100	1	
11	290219	SCREW SOCKET HEAD CAP, M8X70, GRADE 12.9	4	
12	269417	CARTRIDGE,2W/2P,NC,POPPET	4000	
13	269338	VALV MAX VM01 HDM10 T.95-210	1	
14	295577	TUBE,SUCTION,90 DGR,3/8 NPT	1	
15	269331	FILTER, SCREEN M-SERIES SUCT.	1	
16	287273	TUBE,45 DEG, 3/8 NPTF ,EXPT END	1	
17	290266	RESV, PLASTIC, 4.5DIAX18, H/MT	1	
18	290222	PLUG, RESV, BRETHER, 3/8 NPT	1	
19	290223	ADPTER, RUBER, .11 SPACER, M3500	1	
20	297548	PIN,SPLIT,3/16 X 1/2	2	

Pos	SKU	Description	Qty	Remark
21	287277	CLAM,HOSE,WORM GEAR RSV, M-SER	1	
22	297547	WIRE ASSY,CNTRL,16AWG,HS,RING	1	
23	287282	PLUG.SAE O-RING, 9/16-18, HEX, SO	2	
24	210646	COIL, ASSY, 10 VDC W/TERMS, GREEN	1	
25	297551	FITTING,CONNECTOR,3/8TUBEX1 /8NPTMALE	1	

Pos	SKU	Description	Qty	Remark
REF	297922-24	24 VDC, POWER UNIT, DMD, G/D	1	
1	290217	BASE ASSY, M3419, AP100, STD MOTOR	1	
2	290218	PUMP, AP100/2.2, EXT TANG, NO CVRS	1	
3	269351	MOTOR DC 24 VOLT 2 TERM	1	
4	269340	SCREW,PAN HD,TORX,10-32X5/16	2	
5	284080-02	SWITCH, SOLENOID ASSY, 24VDC	1	
6	290276	STRAP MOTOR-SOLENOID CONNECTING	1	
7	269324	O-RING,SHAPED,UP100 & UP110	1	
8	297564	PIN,DOWEL,5MM X 7MM,AP100	8	
9	269328	COVER REAR,AP100 309,.375 NPT	1	
10	269326	O-RING,SHAPED,REAR COVER,AP100	1	
11	290219	SCREW SOCKET HEAD CAP, M8X70, GRADE 12.9	4	
12	269417	CARTRIDGE,2W/2P,NC,POPPET 14000	1	
13	269338	VALV MAX VM01 HDM10 T.95-210	1	
14	295577	TUBE,SUCTION,90 DGR,3/8 NPT	1	
15	269331	FILTER, SCREEN M-SERIES SUCT.	1	
16	287273	TUBE,45 DEG, 3/8 NPTF ,EXPT END	1	
17	290266	RESV, PLASTIC, 4.5DIAX18, H/MT	1	
18	290222	PLUG, RESV, BRETHET, 3/8 NPT	1	
19	290223	ADPTER, RUBER, .11 SPACER, M3500	1	
20	297548	PIN,SPLIT,3/16 X 1/2	2	

Pos	SKU	Description	Qty	Remark
21	287277	CLAM,HOSE,WORM GEAR RSV, M-SER	1	
22	290227	WIRE ASSY, CNTRL, 16AWG, HS, RING	1	
23	287282	PLUG.SAE O-RING, 9/16-18, HEX, SO	2	
24	290226	COIL, ASSY, 18VDC W/TERMS (RED END)	1	
25	297551	FITTING,CONNECTOR,3/8TUBEX1 /8NPTMALE	1	

DECALS

LAST UPDATED
OCT 2022 to present

CAUTION
Always stand clear
of platform area.

WARNING
Liftgate hazards can result in crushing or falling.
Keep hands and feet clear of pinch points.
If riding liftgate, make sure load is stable and footing is solid.
Read and understand all instructions and WARNINGS before use.

WARNING
Read this information carefully.
Improper operation of this Liftgate can result in serious personal injury. If you do not have a copy of the operating instructions, please ask your employer, distributor, or dealer before you attempt to operate the Liftgate.
If there are signs of abnormal maintenance, damage to vital parts, or missing platform surface, do not use the Liftgate until these problems have been corrected.
If you are using a pallet jack, be sure it can be maneuvered safely.
Do not operate a handle on the platform.
Do not allow any part of your or your helper's body to be placed under, within, or around any portion of the moving Liftgate, its mechanisms, or in a position that would trap them between the platform and the ground or truck when the Liftgate is operated.
If a failure in riding the platform will cause you to be both doing so safely and not in an area of danger of coming in contact with any moving or potentially moving structure.
USE GOOD COMMON SENSE.
If load appears to be unsafe, do not lift or lower it.
Do not use the liftgate to transport or store materials. Please refer to vehicle's owner manual for details on use of liftgate.

1

SAFETY INSTRUCTIONS
Read all decals and operation manual before operating liftgate.
Do not use liftgate unless you have been properly instructed and have read, and are familiar with, the operating instructions.
See certain vehicle to properly and accurately bracket before using the liftgate.
Always inspect the liftgate for maintenance or damage before using it. Do not use liftgate if it shows any sign of damage or improper maintenance.
Do not overload.
Make certain the area in which the platform will open and close is clear before opening or closing the platform.
Make certain platform area, including the area in which loads may fall from platform, is clear before and at all times during operation of liftgate.
The liftgate is intended for loading and unloading of cargo only. Do not use the liftgate for anything but its intended use.

OPERATING INSTRUCTIONS

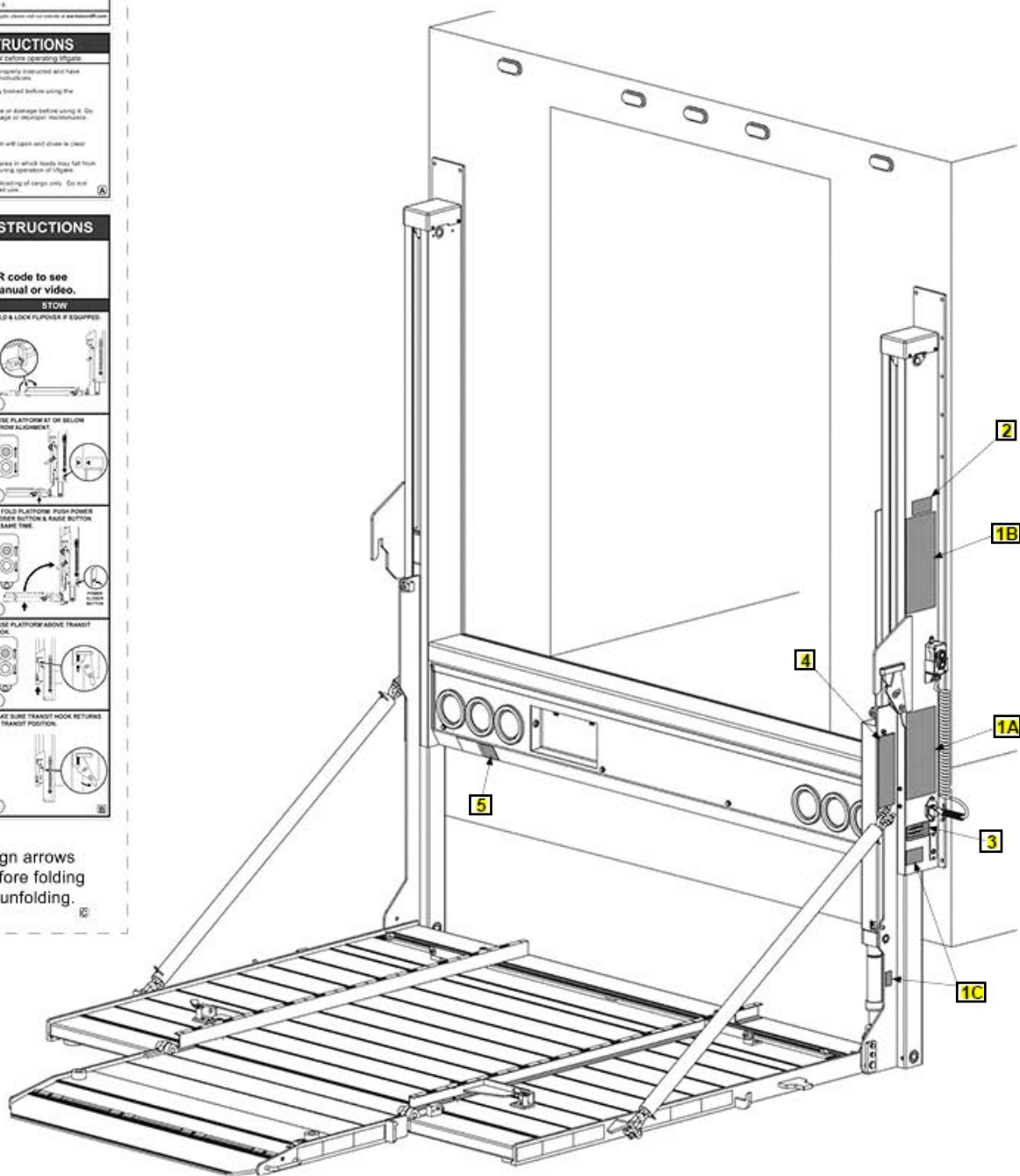
Scan this QR code to see operation manual or video.

OPERATE	STOW
1. RAISE PLATFORM OFF TRANSIT HOOK & LOWER TO UNLOCK.	1. FOLD & LOCK FLIPOVER IF EQUIPPED.
2. LOWER PLATFORM AT OR BELOW ARROW ALIGNMENT.	2. RAISE PLATFORM AT OR BELOW ARROW ALIGNMENT.
3. TO UNFOLD PLATFORM PUSH POWER CLOSER BUTTON & LOWER BUTTON AT SAME TIME.	3. TO FOLD PLATFORM PUSH POWER CLOSER BUTTON & RAISE BUTTON AT SAME TIME.
4. UNLOCK & UNFOLD FLIPOVER.	4. RAISE PLATFORM ABOVE TRANSIT HOOK.
5. RAISE LOWER PLATFORM.	5. MAKE SURE TRANSIT HOOK RETURNS TO TRANSIT POSITION.

Align arrows before folding or unfolding.

MAXON 24
24/7 LIFTGATE SUPPORT
Around-the-clock nationwide assistance
Trained technicians on-call to diagnose and troubleshoot.
866 MAXON 24
(866) 629-6624
maxonlift.com/24
MAXON 24/7 SUPPORT DECAL
298634-01

NOTE: Preferred decal layout is shown. Decals on the Liftgate are attached at the factory. If vehicle does not permit this layout, decals in the manual and decal kit must be applied so that they are easily visible when approaching vehicle to operate Liftgate. Use good common sense when locating these decals on vehicle.



Pos	SKU	Description	Qty	Remark
1	211630-01	DECAL, SHEET, TT-DMD	1	
1A	211630-01	DECAL, SHEET, TT-DMD	1	
1B	211630-01	DECAL, SHEET, TT-DMD	1	
1C	211630-01	DECAL, SHEET, TT-DMD	1	
2	220388-03	DECAL 2200# CAPACITY	1	
3	283445-01	DECAL, FAMILY OWNED	1	
4	299274-01	DECAL, WARNING, PINCH HAZARD BILINGUAL	1	
5	299143-01	DECAL, QR CODE, DMD	1	
6	298634-01	DECAL, MAXON 24/7 SPRT, OPER	1	
