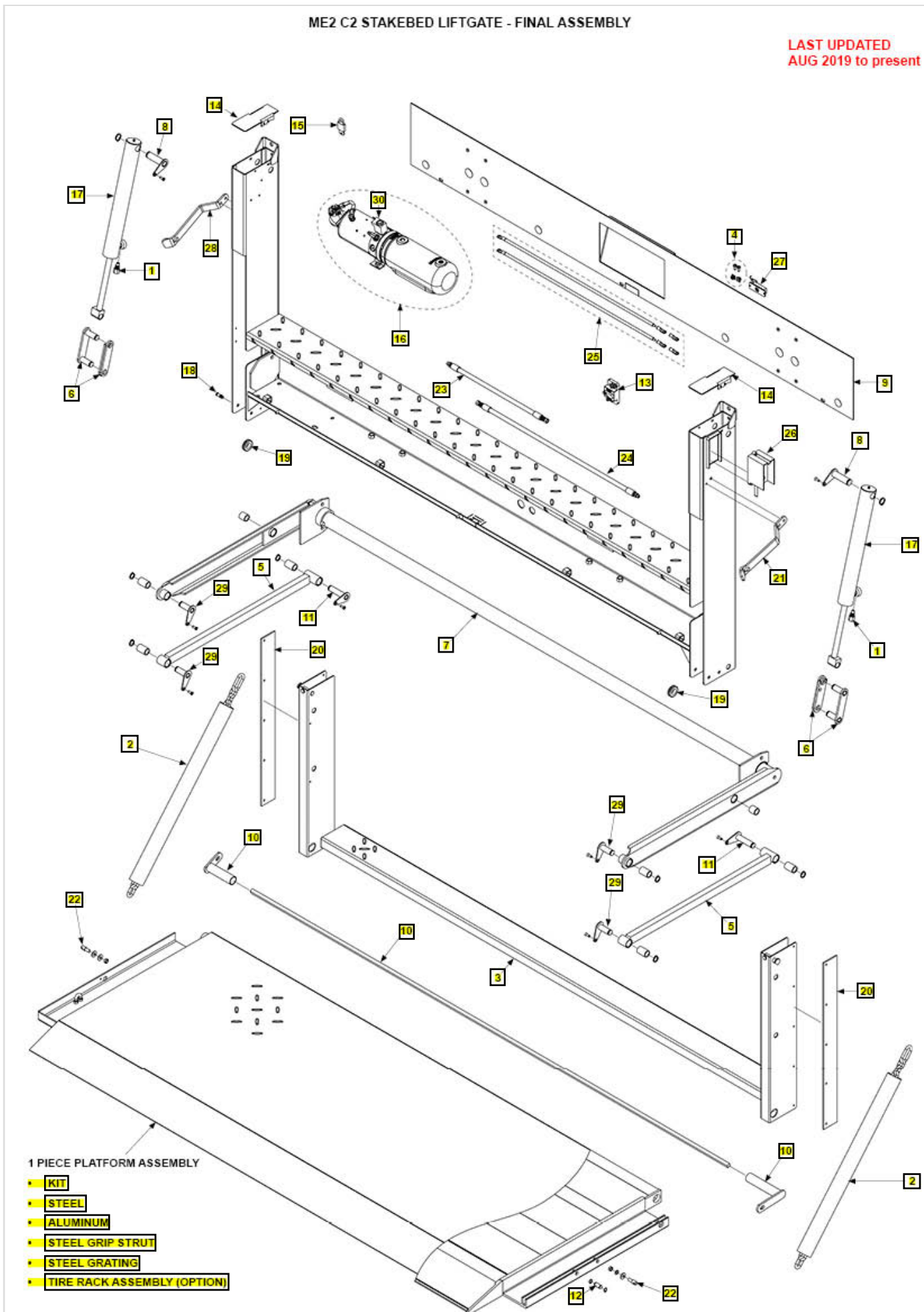

C2-STB-15-19

Table of Contents

Book Page	Page Number
Final Assembly	2
Final Assembly 2019 07	7
Final Assembly 2018 04	10
Tire Rack Assembly	13

ME2 C2 STAKEBED LIFTGATE - FINAL ASSEMBLY

LAST UPDATED
AUG 2019 to present



Pos	SKU	Description	Qty	Remark
1	906934-01	CYL, FLOW VALVE	2	
2	295436-02	C2 RPLC CHN & SLV ASSY (40 LINKS) (13651)	2	
2	295437-02	C2 RPLC CHN & SLV P/F AL (33 LINKS) (13650)	2	
3	295481-01	C2 92 RPLC PIN MOUNT ASSY, 92IN LG (2538)	1	
3	295481-01G	C2 92 RPLC PIN MOUNT ASSY, 92IN LG, GALV (2538)	1	
4	295440-01	LICENSE PLATE MOUNT KIT (1111)	1	
5	295482-01	C2 92 RPLC PARALLEL ARM ASSY (2539)	2	
5	295482-01G	C2 92 RPLC PARALLEL ARM ASSY, GALV (2539)	2	
6	295483-01	C2 92 RPLC LINK PLATE (2540)	2	
7	295484-01	C2 RPLC LIFTFRAME, 91" LG (2544)	1	
8	295444-01	C2 7/8" RPLC CYLINDER PIN (2180)	2	
9	299665-01	M/F COVER ASSY, STKBD 92IN	1	
9	299665-11	M/F COVER ASSY, STKBD 92IN, GALV	1	
10	295486-01	C2 92 SQ.TORSION SPRING KIT (8119)	1	
10	295487-01	C2 92 TORSION SPRING KIT AL (8033)	1	
11	295449-01	C2 3/4" RPLC BACK ARM PIN (2181)	2	
12	295473-01	RPLC PLATFORM CHAIN PIN (4712)	2	
13	295450-01	RPLCMNT 150 AMP CIRCUIT BREAKER (998)	1	
14	295451-01	C2 RPLC COLUMN COVER (2015)	2	
15	908221-01	PAD LOCK, 3/16 SHACKLE	1	

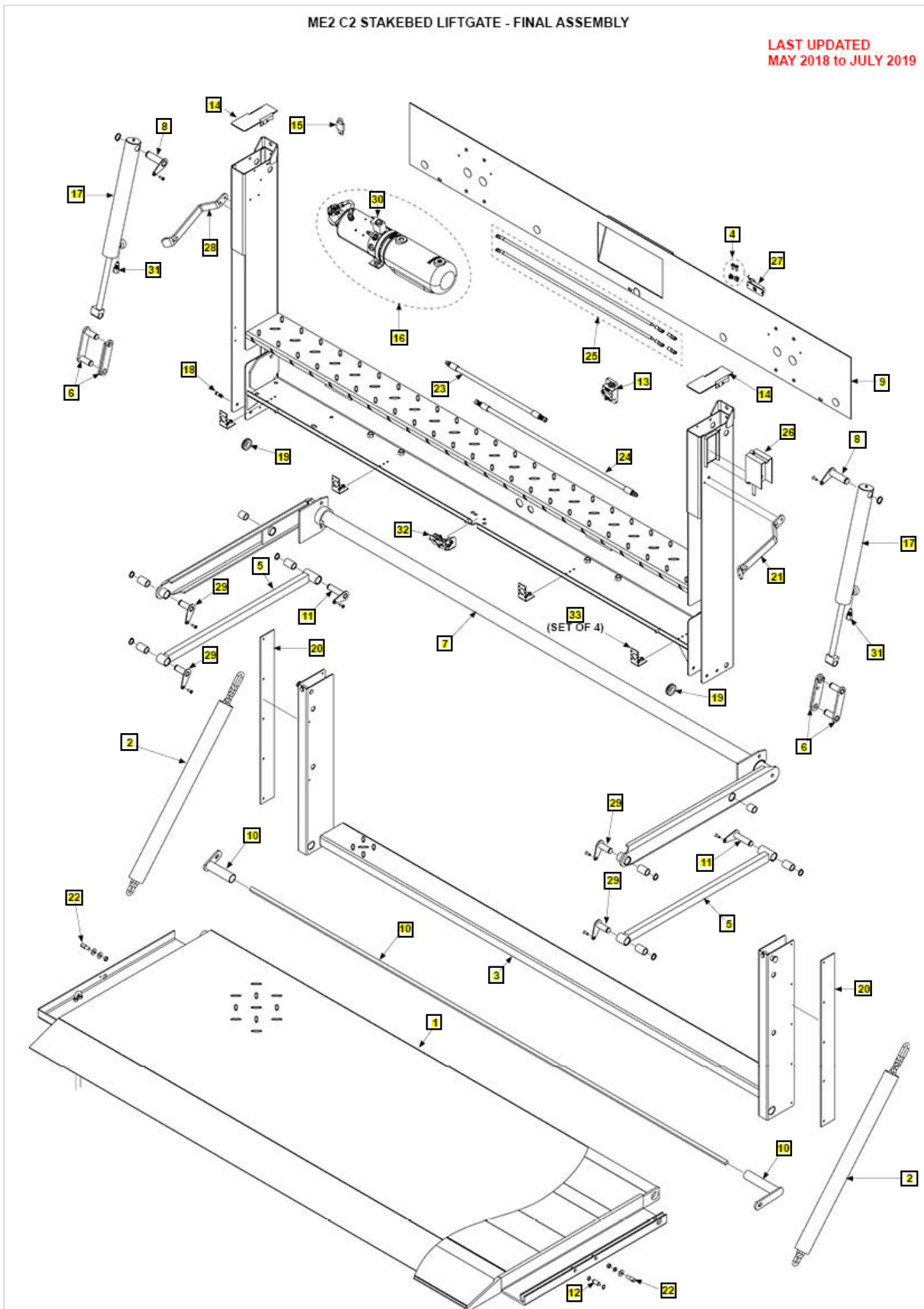
Pos	SKU	Description	Qty	Remark
16	230612-01	REPLACEMENT PUMP AND MOTOR UNIT 2800 PSI (4363)	1	
17	295489-01	C2 92 RPLCMNT CYLINDER STK BED (2559)	2	
18	295472-01	RPLCMNT DROP AWAY PIN (1010)	1	
19	267047-01	GROMMET,BATTERY BOX	2	
20	295456-02	C2 92 RPLCMNT PLASTIC COVER (2560)	2	
21	295494-02	C2 92 RPLCMNT LATCH KIT-RIGHT (2584)	1	
21	295494-02G	C2 92 RPLCMNT LATCH KIT-RIGHT, GALV (2584)	1	
22	295468-01	C2 RPLCMNT P/F LATCH PIN (2020)	2	
23	289446-06	1/4 HYD HOSE 27" LG	1	
24	289446-05	1/4 HYD HOSE 86" LG	1	
25	295459-02	RPLCMNT 4 GA. 2 WIRE W/LUGS-36 FT. (4708)	2	
26	295461-01	RPLCMNT SWITCH CONTROL (987)	1	
27	295462-01	RPLCMNT LICENSE PLATE BRACKET (10199)	1	
28	295494-01	C2 92 RPLCMNT LATCH KIT-LEFT (2583)	1	
28	295494-01G	C2 92 RPLCMNT LATCH KIT-LEFT, GALV (2583)	1	
29	295449-02	C2 3/4" RPLC FRONT ARM PIN (2183)	4	
30	295465-01	SOLENOID W/CONNECTOR (9645)	1	
KIT	295476-01	C2 92 RPLC ST P/F, 95.25" X 36" (2531)	1	
KIT	295477-01	C2 92 RPLC ST P/F, 95.25" X 42" (2532)	1	
KIT	295478-01	C2 92 RPLC AL P/F 95.25" X 37.50" (2533, 1642)	1	
KIT	295479-01	C2 92 RPLC AL P/F 95.25" X 42.25" (2534, 1224)	1	

Pos	SKU	Description	Qty	Remark
STEEL	295055-03	C2 ST P/F WELDT, 95.25" X 41.75"	1	
STEEL	295055-03-101	C2 ST P/F WELDT, 76.25" X 41.75"	1	
STEEL	295055-03-201	C2 ST P/F WELDT, 84.75IN X 41.75IN	1	
STEEL	295055-03-301	C2 ST P/F WELDT, 90.25IN X 35.75IN	1	
STEEL	295055-04	C2 ST P/F WELDT, 95.25" X 35.75"	1	
STEEL	295055-04-101	C2 ST P/F WELDT, 76.25" X 35.75"	1	
STEEL	295055-04-201	C2 ST P/F WELDT, 84.75" X 35.75"	1	
STEEL	295055-04-301	C2 ST P/F WELDT, 90.25IN X35.75IN	1	
ALUM	295640-01	AL P/F WELDT, 95.25 X 37.50	1	
ALUM	295640-01-101	AL P/F WELDT, 76.25 X 37.50	1	
ALUM	295640-01-201	AL P/F WELDT, 90.25 X 37.50	1	
ALUM	295640-02	AL P/F WELDT, 95.25 X 42.25	1	
ALUM	295640-02-101	AL P/F WELDT, 76.25 X 42.25	1	
ALUM	295640-02-201	AL P/F WELDT, 90.25 X 42.25	1	
ALUM	295640-03-101	AL P/F WELDT, 84.75 X 37.50	1	
ALUM	295640-04-101	AL P/F WELDT, 84.75 X 42.25	1	
GRIP	296530-01	F/S GRIP P/F WELDT, 95.25IN X 28IN	1	
GRIP	296530-01-101	F/S GRIP P/F WELDT, 84.75IN X 28IN	1	
GRIP	296530-01G	F/S GRIP P/F WELDT, 95.25IN X 28IN, GALV	1	
GRIP	296530-01G-101	F/S GRIP P/F WELDT, 84.75INX 28IN, GALV	1	
GRIP	296530-02-101	F/S GRIP P/F WELDT, 76.25IN X 28IN	1	
GRIP	296530-02G-101	F/S GRIP P/F WELDT, 76.25IN X 28IN, GALV	1	
GRIP	296530-03-101	F/S GRIP P/F WELDT, 90.25IN X 28IN	1	

Pos	SKU	Description	Qty	Remark
GRIP	296530-03G-101	F/S GRIP P/F WELDT, 90.25IN X 28IN, GALV	1	
GRATE	296520-01	GRATING P/F WELDT, 28 X 95.25	1	
GRATE	296520-01G	GRATING P/F WELDT, 28.95.25, GALV	1	
GRATE	296520-02	GRATING P/F WELDT, 28 X 76.25	1	
GRATE	296520-02G	GRATING P/F WELDT, 28 X 76.25, GALV	1	
GRATE	296520-03	GRATING P/F WELDT, 28X84.75	1	
GRATE	296520-03G	GRATING P/F WELDT, 28 X 84.75, GALV	1	
GRATE	296520-04	GRATING P/F WELDT, 28 X 90.25	1	
GRATE	296520-04G	GRATING P/F WELDT, 28 X 90.25, GALV	1	

ME2 C2 STAKEBED LIFTGATE - FINAL ASSEMBLY

LAST UPDATED
MAY 2018 to JULY 2019

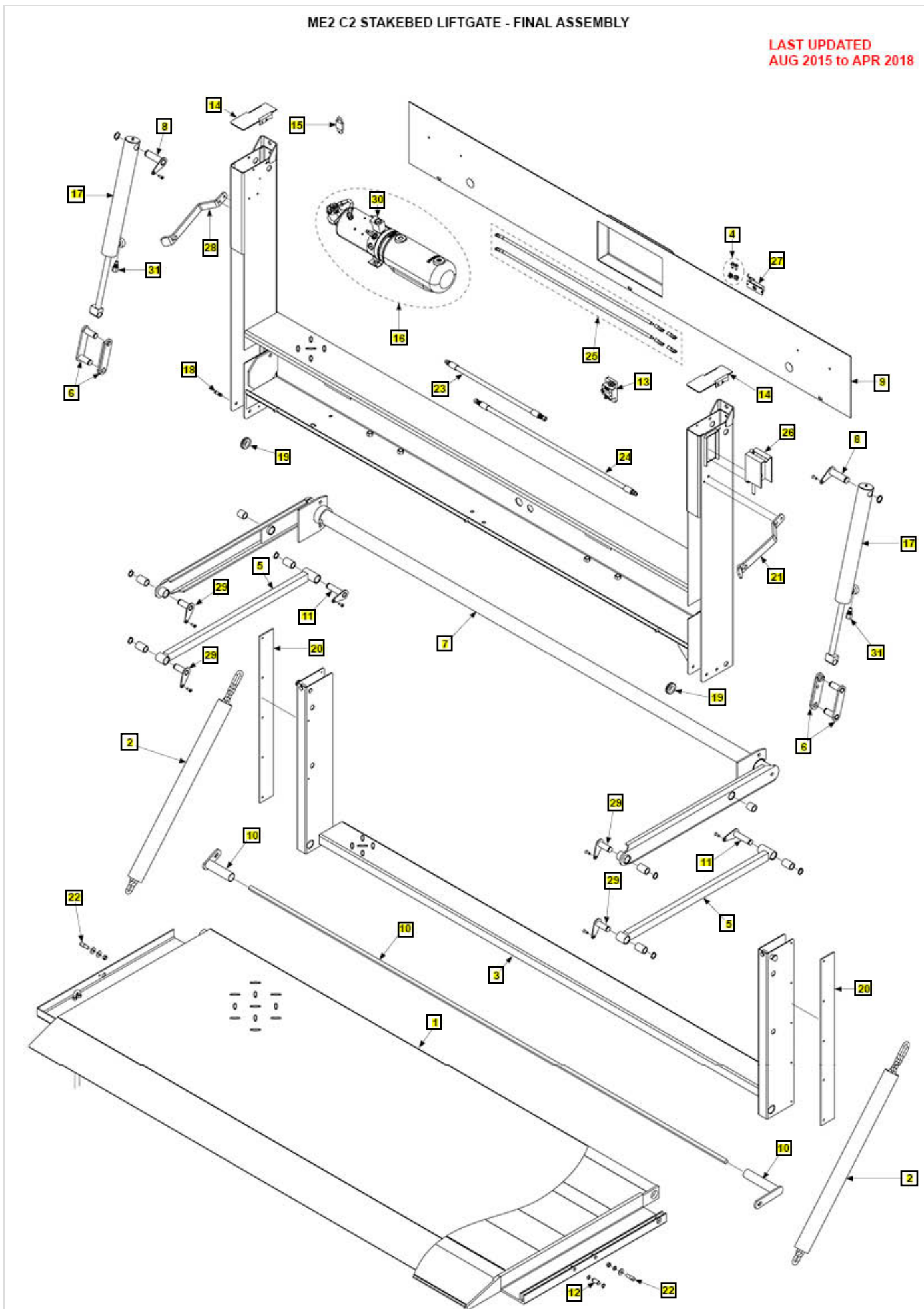


Pos	SKU	Description	Qty	Remark
1	295476-01	C2 92 RPLC ST P/F, 95.25" X 36" (2531)	1	
1	295477-01	C2 92 RPLC ST P/F, 95.25" X 42" (2532)	1	
1	295478-01	C2 92 RPLC AL P/F 95.25" X 37.50" (2533, 1642)	1	
1	295479-01	C2 92 RPLC AL P/F 95.25" X 42.25" (2534, 1224)	1	
2	295436-02	C2 RPLC CHN & SLV ASSY (40 LINKS) (13651)	2	
2	295437-02	C2 RPLC CHN & SLV P/F AL (33 LINKS) (13650)	2	
3	295481-01	C2 92 RPLC PIN MOUNT ASSY, 92IN LG (2538)	1	
4	295440-01	LICENSE PLATE MOUNT KIT (1111)	1	
5	295482-01	C2 92 RPLC PARALLEL ARM ASSY (2539)	2	
6	295483-01	C2 92 RPLC LINK PLATE (2540)	2	
7	295484-01	C2 RPLC LIFTFRAME, 91" LG (2544)	1	
8	295444-01	C2 7/8" RPLC CYLINDER PIN (2180)	2	
9	299070-01	M/F COVER ASSY, STKBD 92IN	1	
9	299070-11	M/F COVER ASSY, STKBD 92IN, GALV	1	
10	295486-01	C2 92 SQ.TORSION SPRING KIT (8119)	1	
10	295487-01	C2 92 TORSION SPRING KIT AL (8033)	1	
11	295449-01	C2 3/4" RPLC BACK ARM PIN (2181)	2	
12	295473-01	RPLC PLATFORM CHAIN PIN (4712)	2	
13	295450-01	RPLCMNT 150 AMP CIRCUIT BREAKER (998)	1	
14	295451-01	C2 RPLC COLUMN COVER (2015)	2	

Pos	SKU	Description	Qty	Remark
15	908221-01	PAD LOCK, 3/16 SHACKLE	1	
16	296419-01	REPLACEMENT PUMP AND MOTOR 3400 PSI (4363)	1	
17	295489-01	C2 92 RPLCMNT CYLINDER STK BED (2559)	2	
18	295472-01	RPLCMNT DROP AWAY PIN (1010)	1	
19	267047-01	GROMMET,BATTERY BOX	2	
20	295456-02	C2 92 RPLCMNT PLASTIC COVER (2560)	2	
21	295494-02	C2 92 RPLCMNT LATCH KIT-RIGHT (2584)	1	
22	295468-01	C2 RPLCMNT P/F LATCH PIN (2020)	2	
23	289446-06	1/4 HYD HOSE 27" LG	1	
24	289446-05	1/4 HYD HOSE 86" LG	1	
25	295459-02	RPLCMNT 4 GA. 2 WIRE W/LUGS-36 FT. (4708)	2	
26	295461-01	RPLCMNT SWITCH CONTROL (987)	1	
27	295462-01	RPLCMNT LICENSE PLATE BRACKET (10199)	1	
28	295494-01	C2 92 RPLCMNT LATCH KIT-LEFT (2583)	1	
29	295449-02	C2 3/4" RPLC FRONT ARM PIN (2183)	4	
30	295465-01	SOLENOID W/CONNECTOR (9645)	1	
31	906934-01	CYL, FLOW VALVE	2	
32	298510-01	ADJUSTABLE CAMERA MOUNT	1	
33	298518-01	REAR BACK UP SENSOR MNT KIT	1	

ME2 C2 STAKEBED LIFTGATE - FINAL ASSEMBLY

LAST UPDATED
AUG 2015 to APR 2018



Pos	SKU	Description	Qty	Remark
1	295476-01	C2 92 RPLC ST P/F, 95.25" X 36" (2531)	1	
1	295477-01	C2 92 RPLC ST P/F, 95.25" X 42" (2532)	1	
1	295478-01	C2 92 RPLC AL P/F 95.25" X 37.50" (2533, 1642)	1	
1	295479-01	C2 92 RPLC AL P/F 95.25" X 42.25" (2534, 1224)	1	
2	295436-02	C2 RPLC CHN & SLV ASSY (40 LINKS) (13651)	2	
2	295437-02	C2 RPLC CHN & SLV P/F AL (33 LINKS) (13650)	2	
3	295481-01	C2 92 RPLC PIN MOUNT ASSY, 92IN LG (2538)	1	
4	295440-01	LICENSE PLATE MOUNT KIT (1111)	1	
5	295482-01	C2 92 RPLC PARALLEL ARM ASSY (2539)	2	
6	295483-01	C2 92 RPLC LINK PLATE (2540)	2	
7	295484-01	C2 RPLC LIFTFRAME, 91" LG (2544)	1	
8	295444-01	C2 7/8" RPLC CYLINDER PIN (2180)	2	
9	295485-01	C2 92 RPLC M/F COVER (2555)	1	
10	295486-01	C2 92 SQ.TORSION SPRING KIT (8119)	1	
10	295487-01	C2 92 TORSION SPRING KIT AL (8033)	1	
11	295449-01	C2 3/4" RPLC BACK ARM PIN (2181)	2	
12	295473-01	RPLC PLATFORM CHAIN PIN (4712)	2	
13	295450-01	RPLCMNT 150 AMP CIRCUIT BREAKER (998)	1	
14	295451-01	C2 RPLC COLUMN COVER (2015)	2	
15	908221-01	PAD LOCK, 3/16 SHACKLE	1	

Pos	SKU	Description	Qty	Remark
16	296419-01	REPLACEMENT PUMP AND MOTOR 3400 PSI (4363)	1	
17	295489-01	C2 92 RPLCMNT CYLINDER STK BED (2559)	2	
18	295472-01	RPLCMNT DROP AWAY PIN (1010)	1	
19	267047-01	GROMMET,BATTERY BOX	2	
20	295456-02	C2 92 RPLCMNT PLASTIC COVER (2560)	2	
21	295494-02	C2 92 RPLCMNT LATCH KIT-RIGHT (2584)	1	
22	295468-01	C2 RPLCMNT P/F LATCH PIN (2020)	2	
23	289446-06	1/4 HYD HOSE 27" LG	1	
24	289446-05	1/4 HYD HOSE 86" LG	1	
25	295459-02	RPLCMNT 4 GA. 2 WIRE W/LUGS-36 FT. (4708)	2	
26	295461-01	RPLCMNT SWITCH CONTROL (987)	1	
27	295462-01	RPLCMNT LICENSE PLATE BRACKET (10199)	1	
28	295494-01	C2 92 RPLCMNT LATCH KIT-LEFT (2583)	1	
29	295449-02	C2 3/4" RPLC FRONT ARM PIN (2183)	4	
30	295465-01	SOLENOID W/CONNECTOR (9645)	1	
31	906934-01	CYL, FLOW VALVE	2	

TIRE RACK ASSEMBLY (OPTION)

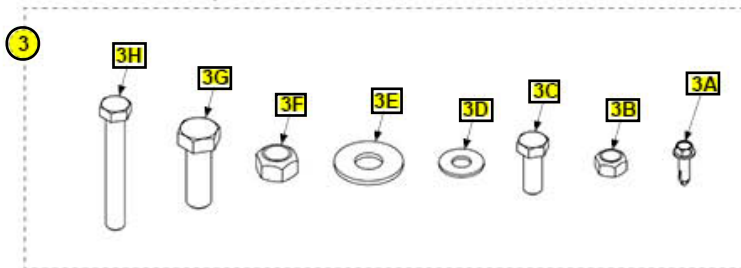
COMPLETE ASSEMBLY:

TIRE RACK ASSEMBY (FOR STEEL, STEEL GRIP STRUT & ALUMINUM PLATFORMS)

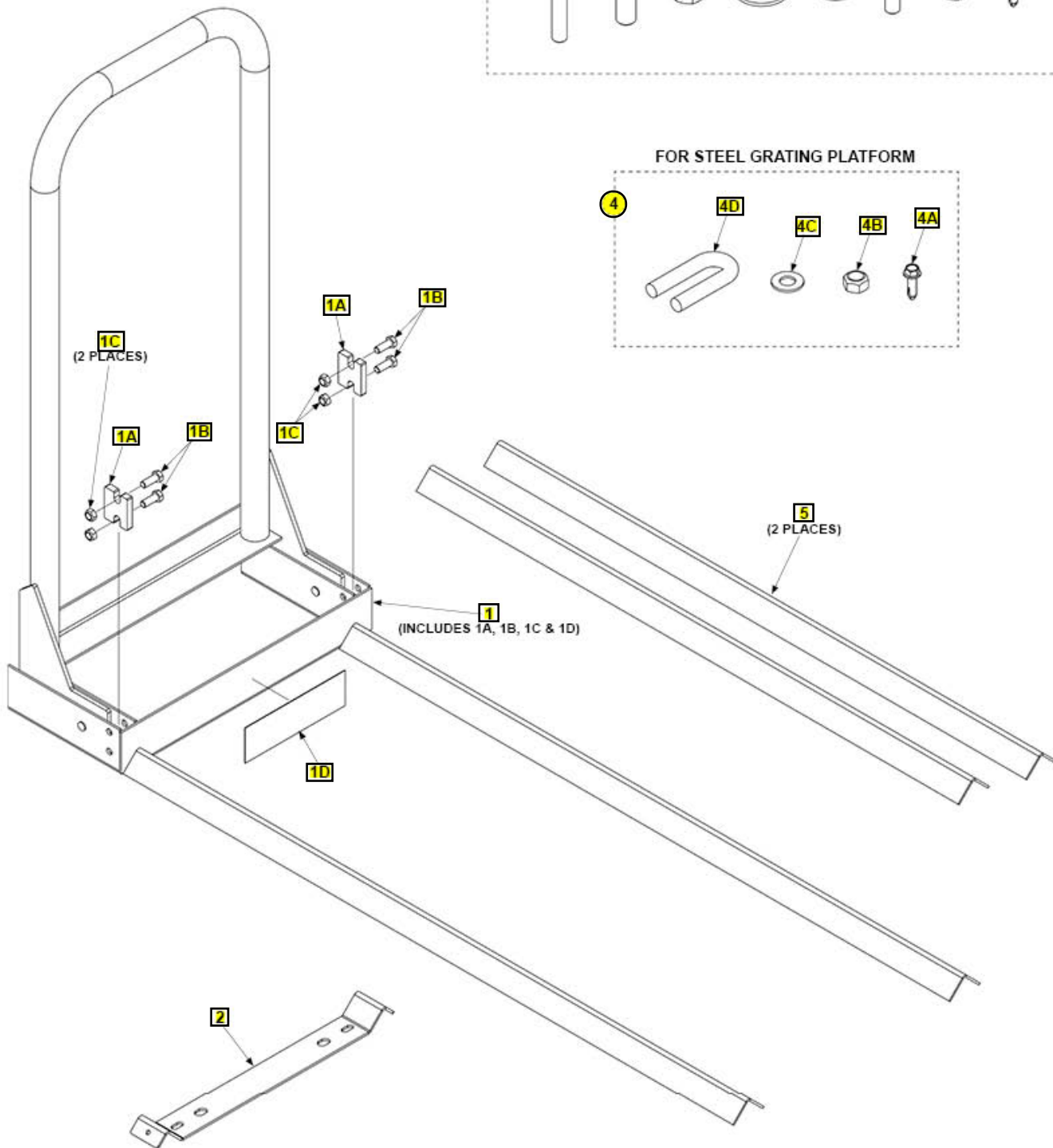
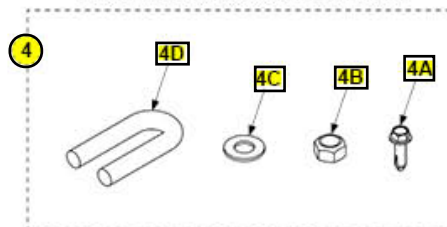
TIRE RACK ASSEMBY (FOR STEEL GRATING PLATFORM)

LAST UPDATED
JAN 2016 to present

FOR STEEL, STEEL GRIP STRUT & ALUMINUM PLATFORMS



FOR STEEL GRATING PLATFORM



Pos	SKU	Description	Qty	Remark
REF 1	296665-02	TIRE RACK ASSY, STKBED	1	
REF 1	296665-02G	TIRE RACK ASSY, STKBED, GALV	1	
REF 2	296665-04	TIRE RACK ASSY, STKBED, GRTNG P/F	1	
REF 2	296665-04G	TIRE RACK ASSY, STKBED, GRTNG P/F, GALV	1	
1	296666-01	TIRE RACK ASSY, PICKUP	1	
1	296666-01G	TIRE RACK ASSY, PICKUP, GALV	1	
1A	296656-01	STOP PLATE	2	
1A	296656-01G	STOP PLATE, GALV	2	
1B	900778-02	SCREW, HEX CAP, .38-16X1, GR5,ZC	4	
1C	030955	NUT, LOCK 3/8-16 GR.C ZINC	4	
1D	295118-01	DECAL, TIRE RACK OPER INSTRUC	1	
2	296667-01	MOVABLE CROSS MEMBER	1	
2	296667-02	MOVABLE CROSS MEMBER, GALV	1	
3	296663-02	STAKEBED TIRE RACK, BOLT KIT	1	
3A	900045-1	SCREW, SELF DRIL.HEX W/HD .75"	6	
3B	030955	NUT, LOCK 3/8-16 GR.C ZINC	4	
3C	900778-02	SCREW, HEX CAP, .38-16X1, GR5,ZC	4	
3D	902001-2	WASHER, FLAT 3/8X1/16 ZC	8	
3E	902014	WASHER, FLAT 1.38X.56 X .093ZC	4	
3F	040066	NUT, LOCK 1/2-13 ZC	4	
3G	900781-03	SCREW, HEX CAP, .5-13X1.5, GR5, ZC	4	
3H	900794-06	SCREW, HEX CAP,.38-16X2.75,GR5,ZC	4	
4	296663-03	GRATEBAR P/F TIRE RACK, BOLT KIT	1	

Pos	SKU	Description	Qty	Remark
4A	900045-1	SCREW, SELF DRIL.HEX W/HD .75"	6	
4B	030955	NUT, LOCK 3/8-16 GR.C ZINC	8	
4C	902013-11	WASHER, FLAT 3/8" ZC	8	
4D	289444-02	3/8 U-BOLT, .88 X 2.38" LG	4	
5	296669-02	EXTENSION ANGLE, 40IN LG	2	
5	296669-03	EXTENSION ANGLE, 40IN LG, GALV	2	
