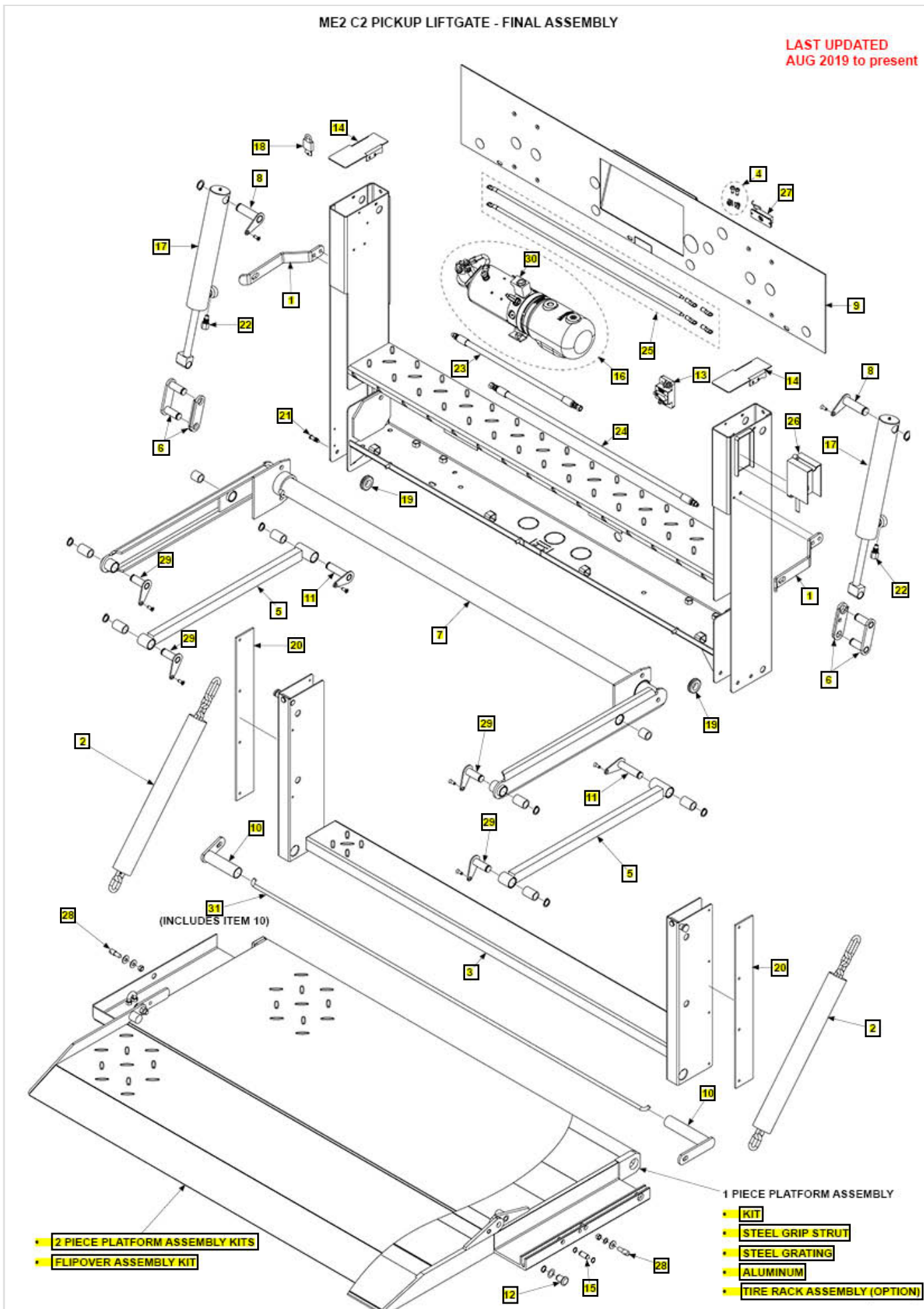

C2-PU-15-18

Table of Contents

Book Page	Page Number
Final Assembly	2
Final Assembly 2019 07	6
Final Assembly 2018 04	10
1 Piece Platform Assembly Steel Grip Strut	14
1 Piece Platform Assembly Steel Grating	16
Tire Rack Assembly	18

ME2 C2 PICKUP LIFTGATE - FINAL ASSEMBLY

LAST UPDATED
AUG 2019 to present



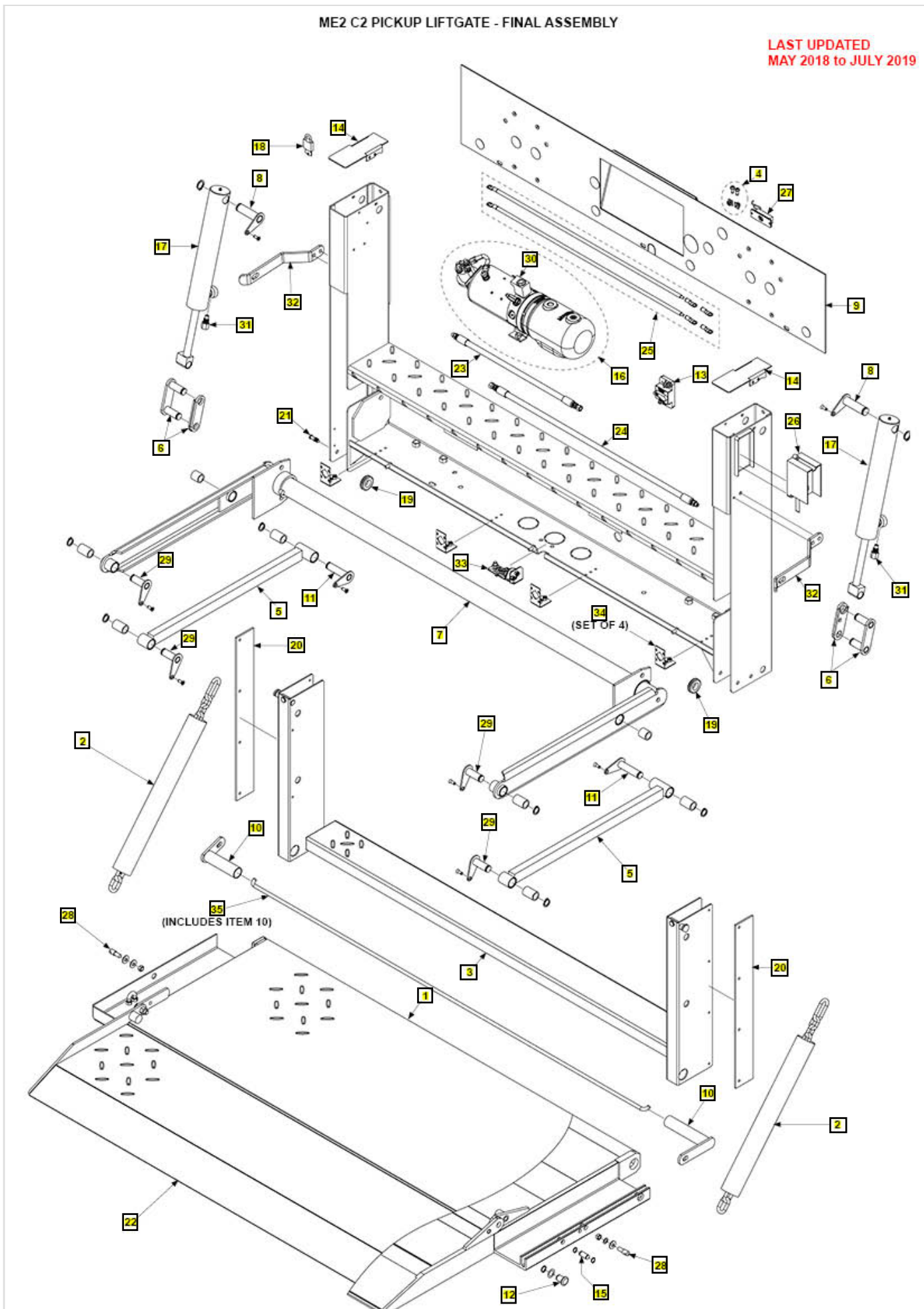
Pos	SKU	Description	Qty	Remark
1	295467-01	C2 RPLCMNT LATCH KIT (2017)	2	
1	295467-01G	C2 RPLCMNT LATCH KIT, GALV (2017)	2	
2	295436-01	C2 RPLC CHN & SLV ASSY (24 LINKS) (3883)	2	
2	295437-01	C2 RPLC CHN & SLV P/F AL (26 LINKS) (6473)	2	
2	295437-02	C2 RPLC CHN & SLV P/F AL (33 LINKS) (13650)	2	
3	295439-01	C2 RPLC PINMOUNT ASSY, 61IN LG (11303)	1	
3	295439-01G	C2 RPLC PINMOUNT ASSY, 61IN LG, GALV, (11303)	1	
4	295440-01	LICENSE PLATE MOUNT KIT (1111)	1	
5	295441-01	C2 54 & 60 RPLC PARALLEL ARM ASSY (11305)	2	
5	295441-01G	C2 54 & 60 RPLC PARALLEL ARM ASSY, GALV, (11305)	2	
6	295442-01	C2 54 & 60 RPLC LINK PLATE (11306)	2	
7	295443-01	C2 RPLC LIFTFRAME, 60" LG (11308)	1	
8	295444-01	C2 7/8" RPLC CYLINDER PIN (2180)	2	
9	299470-01	M/F COVER ASSY, 55.38IN LG, P/U	1	
9	299470-01G	M/F COVER ASSY, 55.38IN LG, P/U, GALV	1	
10	295446-01	RPLCMNT TOR-BAR PIN P/F 27" (1220)	1	
11	295449-01	C2 3/4" RPLC BACK ARM PIN (2181)	2	
12	295474-01	RPLC FLIPPER RIVET (4717)	2	
13	295450-01	RPLCMNT 150 AMP CIRCUIT BREAKER (998)	1	
14	295451-01	C2 RPLC COLUMN COVER (2015)	2	

Pos	SKU	Description	Qty	Remark
15	295473-01	RPLC PLATFORM CHAIN PIN (4712)	2	
16	230611-01	REPLACEMENT PUMP AND MOTOR UNIT 2250 PSI (968)	1	
16	230612-01	REPLACEMENT PUMP AND MOTOR UNIT 2800 PSI (4363)	1	
17	295454-01	C2 54 & 60 RPLCMNT CYLINDER (971)	2	
18	908221-01	PAD LOCK, 3/16 SHACKLE	1	
19	267047-01	GROMMET,BATTERY BOX	2	
20	295456-01	C2 RPLCMNT PLASTIC COVER (2143)	2	
21	295472-01	RPLCMNT DROP AWAY PIN (1010)	1	
22	906934-01	CYL, FLOW VALVE	2	
23	289446-01	1/4 HYD HOSE 21" LG	1	
24	289446-02	1/4 HYD HOSE 52" LG	1	
25	295459-01	RPLCMNT 4 GA. 2 WIRE W/LUGS-26 FT. (4570)	2	
26	295461-01	RPLCMNT SWITCH CONTROL (987)	1	
27	295462-01	RPLCMNT LICENSE PLATE BRACKET (10199)	1	
28	295468-01	C2 RPLCMNT P/F LATCH PIN (2020)	2	
29	295449-02	C2 3/4" RPLC FRONT ARM PIN (2183)	4	
30	295465-01	SOLENOID W/CONNECTOR (9645)	1	
31	295447-01	60 RPLC TOR-BAR PIN AL P/F 38" (8026, 8084)	1	
KIT 1	295431-01	C2 60 RPCL, ST P/F 22"X65.25"+4" RAMP (4866)	1	
KIT 2	295432-01	C2 60 RPLC, ST P/F+FO, 37"(22+11+4)X65.25" (4867)	1	
KIT 2	295433-01	C2 60 RPLC, ST P/F+FO, 44" (26+11+7)X65.25" (48.68)	1	
KIT 2	295434-01	60 RPLC PF&F/O, AL 65.38X38+6"RP(1632)	1	

Pos	SKU	Description	Qty	Remark
KIT 2	295435-01	C2 60 RPLC P/F&F/O AL 65.38X48+6"RP (4799)	1	
ALUM	296510-01	P/F WLDMT, AL 65.38X22.5+6	1	
FLIP 2	295469-01	C2 60 RPLC ST F/O 11+4X55.25" (962)	1	
FLIP 2	295470-01	C2 60 RPLC ST F/O 11+7X55.25" (963)	1	
FLIP 2	295471-01	C2 60 RPLC AL F/O 11+6" (1882)	1	

ME2 C2 PICKUP LIFTGATE - FINAL ASSEMBLY

LAST UPDATED
MAY 2018 to JULY 2019



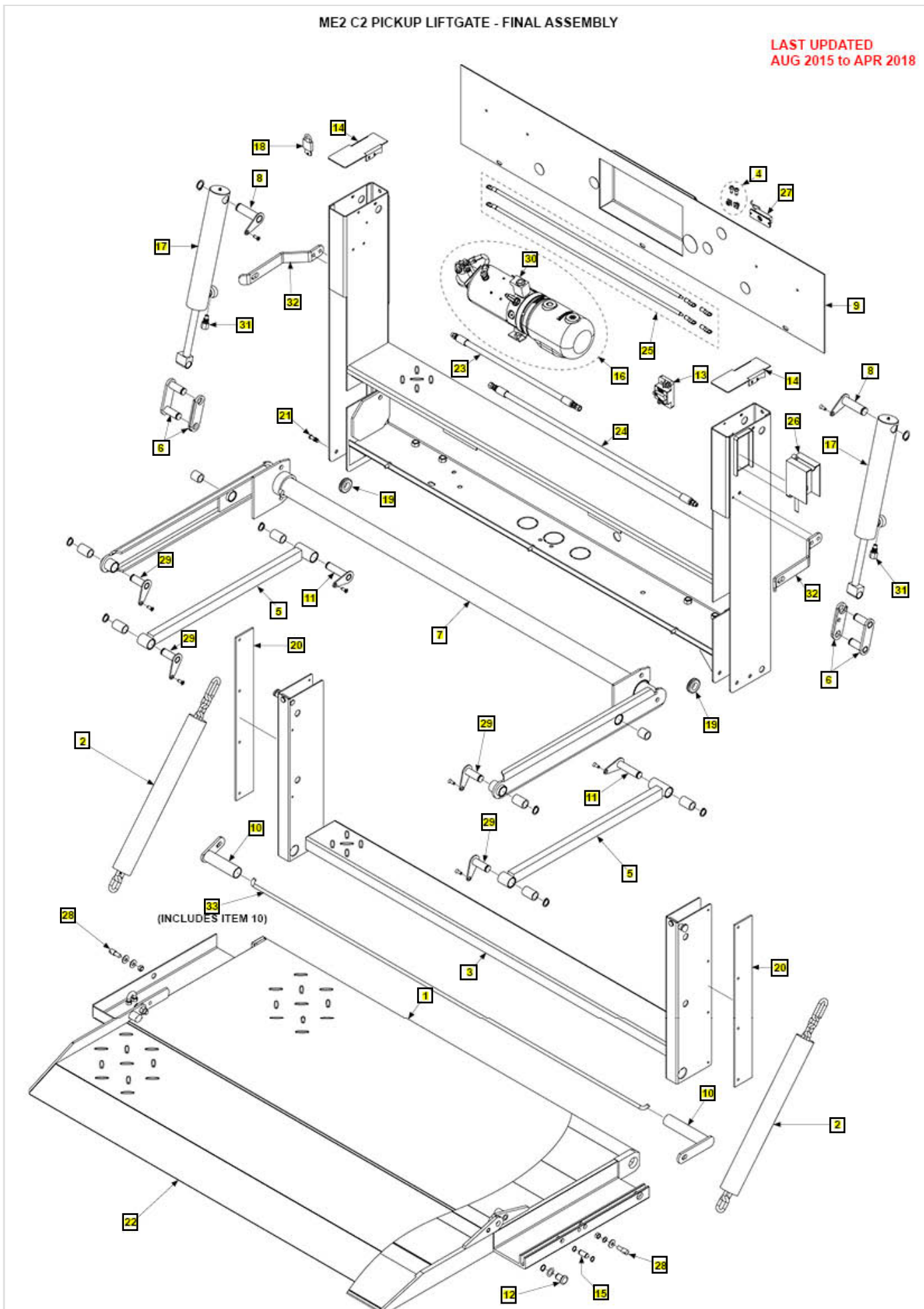
Pos	SKU	Description	Qty	Remark
1	295431-01	C2 60 RPCL, ST P/F 22"X65.25"+4" RAMP (4866)	1	
1	295432-01	C2 60 RPLC, ST P/F+FO, 37"(22+11+4)X65.25" (4867)	1	
1	295433-01	C2 60 RPLC, ST P/F+FO, 44" (26+11+7)X65.25" (48.68)	1	
1	295434-01	60 RPLC PF&F/O, AL 65.38X38+6"RP(1632)	1	
1	295435-01	C2 60 RPLC P/F&F/O AL 65.38X48+6"RP (4799)	1	
2	295436-01	C2 RPLC CHN & SLV ASSY (24 LINKS) (3883)	2	
2	295437-01	C2 RPLC CHN & SLV P/F AL (26 LINKS) (6473)	2	
2	295437-02	C2 RPLC CHN & SLV P/F AL (33 LINKS) (13650)	2	
3	295439-01	C2 RPLC PINMOUNT ASSY, 61IN LG (11303)	1	
4	295440-01	LICENSE PLATE MOUNT KIT (1111)	1	
5	295441-01	C2 54 & 60 RPLC PARALLEL ARM ASSY (11305)	2	
6	295442-01	C2 54 & 60 RPLC LINK PLATE (11306)	2	
7	295443-01	C2 RPLC LIFTFRAME, 60" LG (11308)	1	
8	295444-01	C2 7/8" RPLC CYLINDER PIN (2180)	2	
9	298980-01	M/F COVER ASSY, 55.38IN LG, PICK UP	1	
9	298980-01G	M/F COVER ASSY, 55.38IN LG, GALV PICK-UP	1	
10	295446-01	RPLCMNT TOR-BAR PIN P/F 27" (1220)	1	
11	295449-01	C2 3/4" RPLC BACK ARM PIN (2181)	2	
12	295474-01	RPLC FLIPPER RIVET (4717)	2	
13	295450-01	RPLCMNT 150 AMP CIRCUIT BREAKER (998)	1	

Pos	SKU	Description	Qty	Remark
14	295451-01	C2 RPLC COLUMN COVER (2015)	2	
15	295473-01	RPLC PLATFORM CHAIN PIN (4712)	2	
16	296416-01	REPLACEMENT PUMP AND MOTOR UNIT 2050 PSI (968)	1	
16	296419-01	REPLACEMENT PUMP AND MOTOR 3400 PSI (4363)	1	
17	295454-01	C2 54 & 60 RPLCMNT CYLINDER (971)	2	
18	908221-01	PAD LOCK, 3/16 SHACKLE	1	
19	267047-01	GROMMET,BATTERY BOX	2	
20	295456-01	C2 RPLCMNT PLASTIC COVER (2143)	2	
21	295472-01	RPLCMNT DROP AWAY PIN (1010)	1	
22	295469-01	C2 60 RPLC ST F/O 11+4X55.25" (962)	1	
22	295470-01	C2 60 RPLC ST F/O 11+7X55.25" (963)	1	
22	295471-01	C2 60 RPLC AL F/O 11+6" (1882)	1	
23	289446-01	1/4 HYD HOSE 21" LG	1	
24	289446-02	1/4 HYD HOSE 52" LG	1	
25	295459-01	RPLCMNT 4 GA. 2 WIRE W/LUGS-26 FT. (4570)	2	
26	295461-01	RPLCMNT SWITCH CONTROL (987)	1	
27	295462-01	RPLCMNT LICENSE PLATE BRACKET (10199)	1	
28	295468-01	C2 RPLCMNT P/F LATCH PIN (2020)	2	
29	295449-02	C2 3/4" RPLC FRONT ARM PIN (2183)	4	
30	295465-01	SOLENOID W/CONNECTOR (9645)	1	
31	906934-01	CYL, FLOW VALVE	2	
32	295467-01	C2 RPLCMNT LATCH KIT (2017)	2	

Pos	SKU	Description	Qty	Remark
33	298510-01	ADJUSTABLE CAMERA MOUNT	1	
34	298518-01	REAR BACK UP SENSOR MNT KIT	1	
35	295447-01	60 RPLC TOR-BAR PIN AL P/F 38" (8026, 8084)	1	

ME2 C2 PICKUP LIFTGATE - FINAL ASSEMBLY

LAST UPDATED
AUG 2015 to APR 2018



Pos	SKU	Description	Qty	Remark
1	295431-01	C2 60 RPCL, ST P/F 22"X65.25"+4" RAMP (4866)	1	
1	295432-01	C2 60 RPLC, ST P/F+FO, 37"(22+11+4)X65.25" (4867)	1	
1	295433-01	C2 60 RPLC, ST P/F+FO, 44" (26+11+7)X65.25" (48.68)	1	
1	295434-01	60 RPLC PF&F/O, AL 65.38X38+6"RP(1632)	1	
1	295435-01	C2 60 RPLC P/F&F/O AL 65.38X48+6"RP (4799)	1	
2	295436-01	C2 RPLC CHN & SLV ASSY (24 LINKS) (3883)	2	
2	295437-01	C2 RPLC CHN & SLV P/F AL (26 LINKS) (6473)	2	
2	295437-02	C2 RPLC CHN & SLV P/F AL (33 LINKS) (13650)	2	
3	295439-01	C2 RPLC PINMOUNT ASSY, 61IN LG (11303)	1	
4	295440-01	LICENSE PLATE MOUNT KIT (1111)	1	
5	295441-01	C2 54 & 60 RPLC PARALLEL ARM ASSY (11305)	2	
6	295442-01	C2 54 & 60 RPLC LINK PLATE (11306)	2	
7	295443-01	C2 RPLC LIFTFRAME, 60" LG (11308)	1	
8	295444-01	C2 7/8" RPLC CYLINDER PIN (2180)	2	
9	295445-01	C2 60 RPLC M/F COVER (4949)	1	
10	295446-01	RPLCMNT TOR-BAR PIN P/F 27" (1220)	1	
11	295449-01	C2 3/4" RPLC BACK ARM PIN (2181)	2	
12	295474-01	RPLC FLIPPER RIVET (4717)	2	
13	295450-01	RPLCMNT 150 AMP CIRCUIT BREAKER (998)	1	
14	295451-01	C2 RPLC COLUMN COVER (2015)	2	

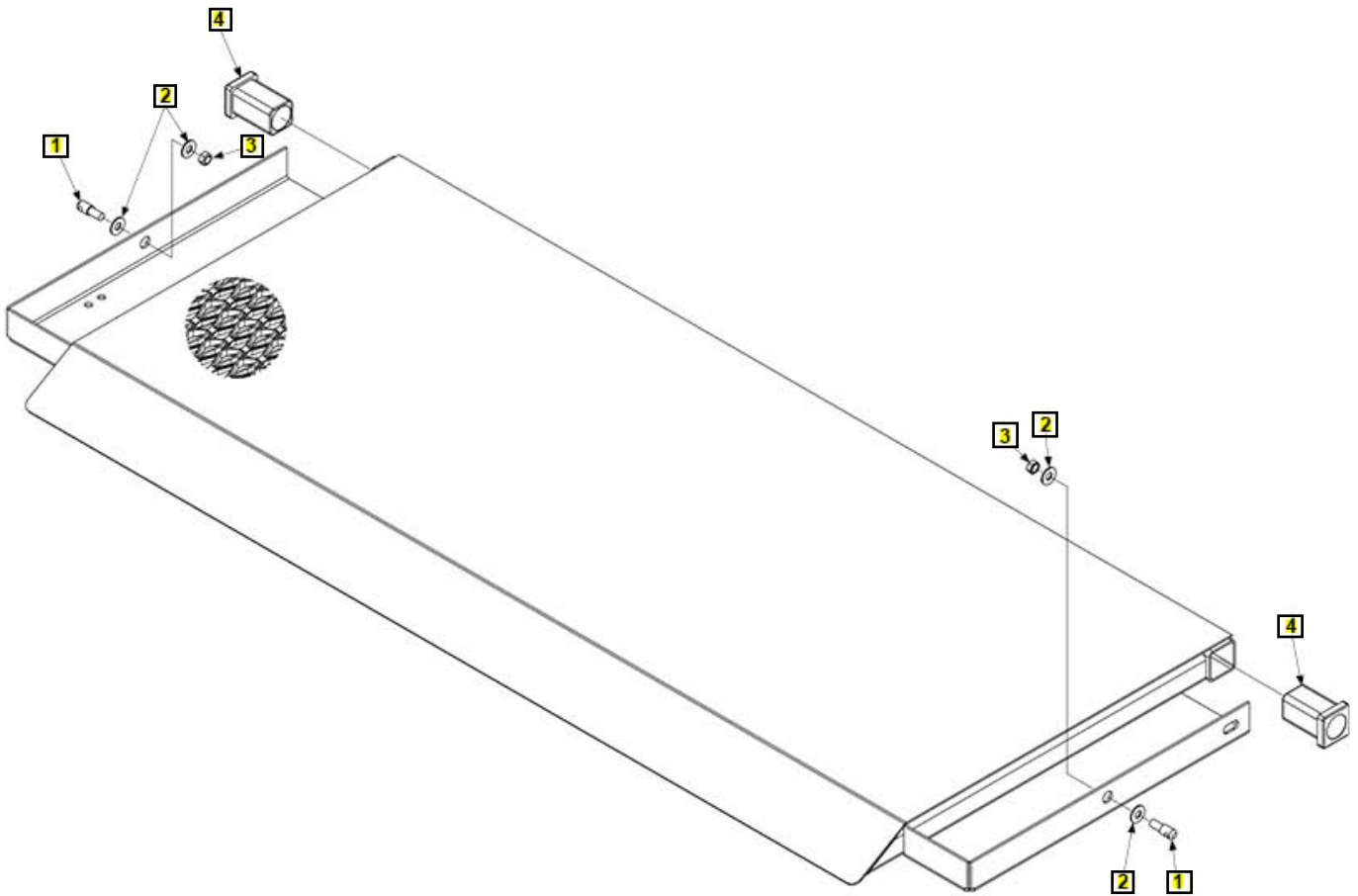
Pos	SKU	Description	Qty	Remark
15	295473-01	RPLC PLATFORM CHAIN PIN (4712)	2	
16	296416-01	REPLACEMENT PUMP AND MOTOR UNIT 2050 PSI (968)	1	
16	296419-01	REPLACEMENT PUMP AND MOTOR 3400 PSI (4363)	1	
17	295454-01	C2 54 & 60 RPLCMNT CYLINDER (971)	2	
18	908221-01	PAD LOCK, 3/16 SHACKLE	1	
19	267047-01	GROMMET,BATTERY BOX	2	
20	295456-01	C2 RPLCMNT PLASTIC COVER (2143)	2	
21	295472-01	RPLCMNT DROP AWAY PIN (1010)	1	
22	295469-01	C2 60 RPLC ST F/O 11+4X55.25" (962)	1	
22	295470-01	C2 60 RPLC ST F/O 11+7X55.25" (963)	1	
22	295471-01	C2 60 RPLC AL F/O 11+6" (1882)	1	
23	289446-01	1/4 HYD HOSE 21" LG	1	
24	289446-02	1/4 HYD HOSE 52" LG	1	
25	295459-01	RPLCMNT 4 GA. 2 WIRE W/LUGS-26 FT. (4570)	2	
26	295461-01	RPLCMNT SWITCH CONTROL (987)	1	
27	295462-01	RPLCMNT LICENSE PLATE BRACKET (10199)	1	
28	295468-01	C2 RPLCMNT P/F LATCH PIN (2020)	2	
29	295449-02	C2 3/4" RPLC FRONT ARM PIN (2183)	4	
30	295465-01	SOLENOID W/CONNECTOR (9645)	1	
31	906934-01	CYL, FLOW VALVE	2	
32	295467-01	C2 RPLCMNT LATCH KIT (2017)	2	
33	295447-01	60 RPLC TOR-BAR PIN AL P/F 38" (8026, 8084)	1	

1 PIECE PLATFORM ASSEMBLY (STEEL GRIP STRUT)

COMPLETE ASSEMBLY:

LAST UPDATED
MAY 2016 to present

1 PIECE PLATFORM ASSEMBLY (STEEL GRIP STRUT)



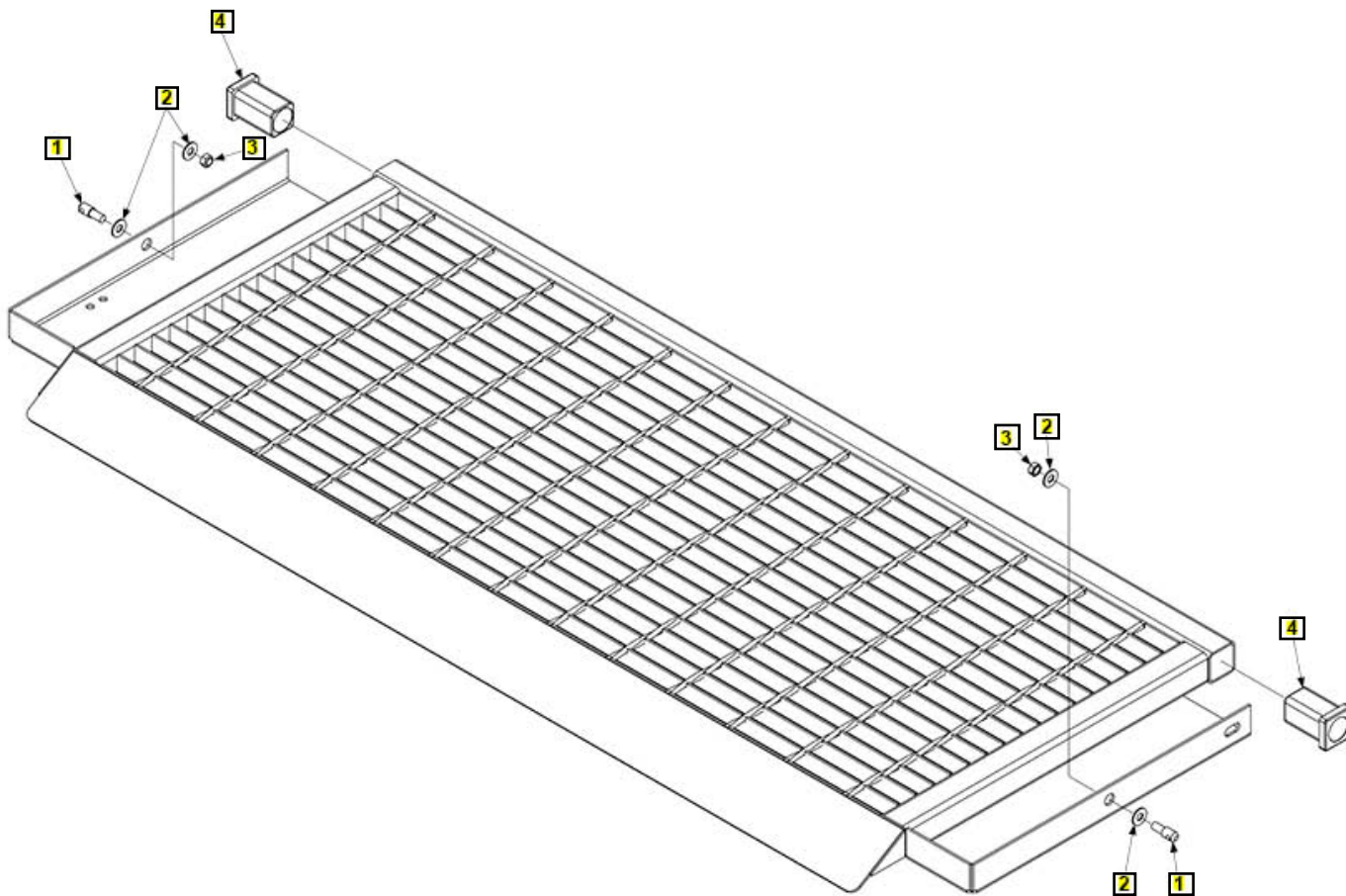
Pos	SKU	Description	Qty	Remark
REF	295565-01	P/F ASSY GRIP STRUT PKP	1	
REF	295565-01G	P/F ASSY GRIP STRUT PKP, GALV	1	
1	289426-01	P/F PIN, .5" DIA X 1.5" LG	2	
2	902001-2	WASHER, FLAT 3/8X1/16 ZC	4	
3	030955	NUT, LOCK 3/8-16 GR.C ZINC	2	
4	289421-01	TORSION BAR BEARING	2	

1 PIECE PLATFORM ASSEMBLY (STEEL GRATING)

COMPLETE ASSEMBLY:

1 PIECE PLATFORM ASSEMBLY (STEEL GRATING)

LAST UPDATED
MAY 2016 to present



Pos	SKU	Description	Qty	Remark
REF	295564-01	GRATE P/F ASSY, 22IN X 56.38IN	1	
REF	295564-01G	GRATE P/F ASSY, 22IN X 56.38IN, GALV	1	
1	289426-01	P/F PIN, .5" DIA X 1.5" LG	2	
2	902001-2	WASHER, FLAT 3/8X1/16 ZC	4	
3	030955	NUT, LOCK 3/8-16 GR.C ZINC	2	
4	289421-01	TORSION BAR BEARING	2	

TIRE RACK ASSEMBLY (OPTION)

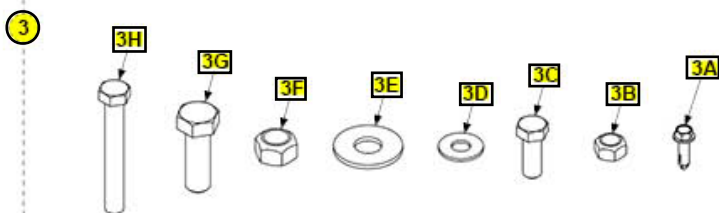
COMPLETE ASSEMBLY:

TIRE RACK ASSEMBY (FOR STEEL, STEEL GRIP STRUT & ALUMINUM PLATFORMS)

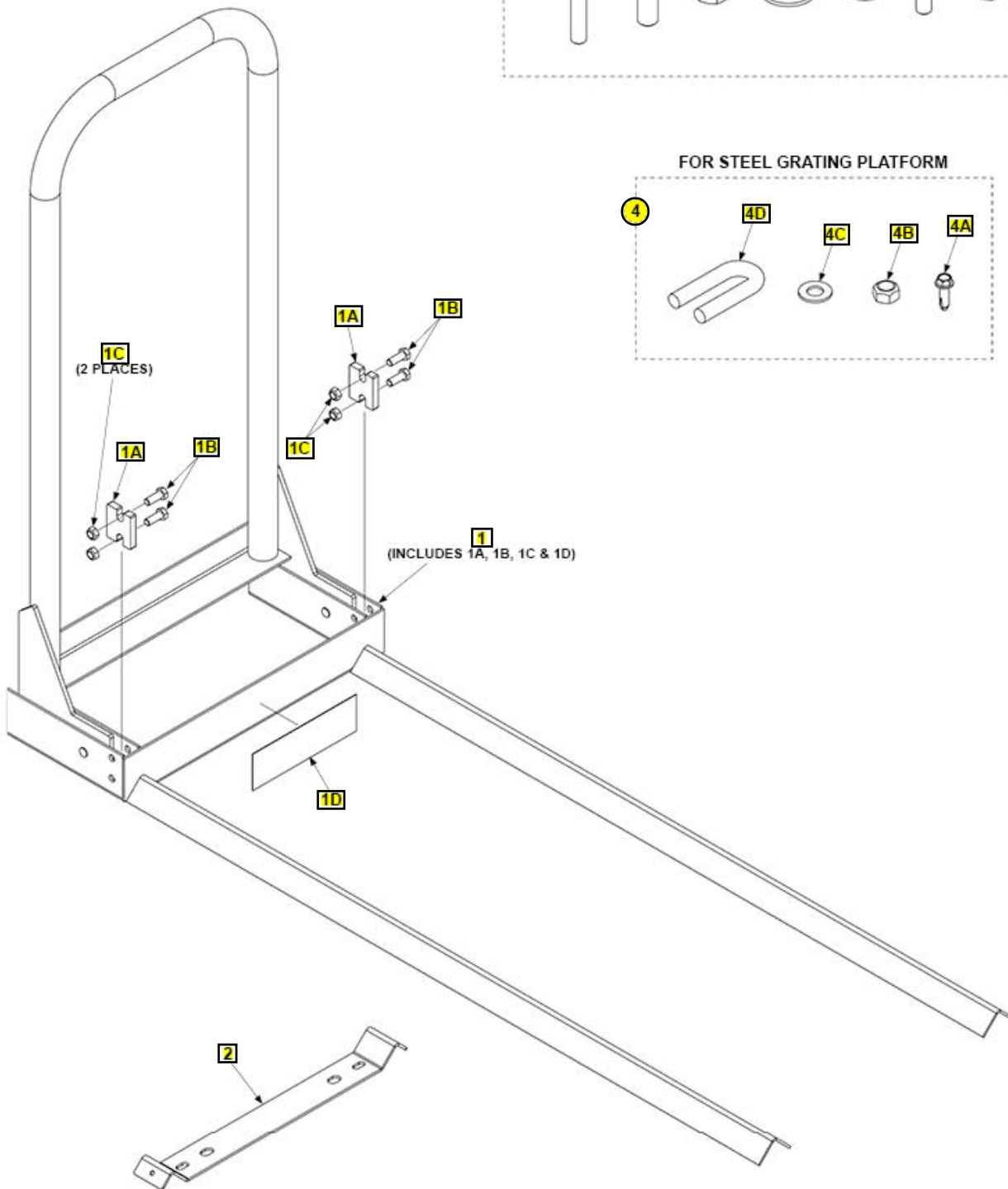
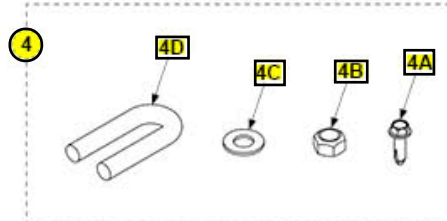
TIRE RACK ASSEMBY (FOR STEEL GRATING PLATFORM)

LAST UPDATED
JAN 2016 to present

FOR STEEL, STEEL GRIP STRUT & ALUMINUM PLATFORMS



FOR STEEL GRATING PLATFORM



Pos	SKU	Description	Qty	Remark
REF 1	296665-01	TIRE RACK ASSY, PICKUP (013175)	1	
REF 1	296665-01G	TIRE RACK ASSY, PICKUP (013175), GALV	1	
REF 2	296665-03	TIRE RACK ASSY, PICKUP GRTNG P/F	1	
REF 2	296665-03G	TIRE RACK ASSY, PICKUP GRTNG P/F, GALV	1	
1	296666-01	TIRE RACK ASSY, PICKUP	1	
1	296666-01G	TIRE RACK ASSY, PICKUP, GALV	1	
1A	296656-01	STOP PLATE	2	
1A	296656-01G	STOP PLATE, GALV	2	
1B	900778-02	SCREW, HEX CAP, .38-16X1, GR5,ZC	4	
1C	030955	NUT, LOCK 3/8-16 GR.C ZINC	4	
1D	295118-01	DECAL, TIRE RACK OPER INSTRUC	1	
2	296667-01	MOVABLE CROSS MEMBER	1	
2	296667-02	MOVABLE CROSS MEMBER, GALV	1	
3	296663-01	PICK UP TIRE RACK, BOLT KIT	1	
3A	900045-1	SCREW, SELF DRIL.HEX W/HD .75"	2	
3B	030955	NUT, LOCK 3/8-16 GR.C ZINC	4	
3C	900778-02	SCREW, HEX CAP, .38-16X1, GR5,ZC	4	
3D	902001-2	WASHER, FLAT 3/8X1/16 ZC	8	
3E	902014	WASHER, FLAT 1.38X.56 X .093ZC	4	
3F	040066	NUT, LOCK 1/2-13 ZC	4	
3G	900781-03	SCREW, HEX CAP, .5-13X1.5, GR5, ZC	4	
3H	900794-06	SCREW, HEX CAP,.38-16X2.75,GR5,ZC	4	
4	296663-03	GRATEBAR P/F TIRE RACK, BOLT KIT	1	

Pos	SKU	Description	Qty	Remark
4A	900045-1	SCREW, SELF DRIL.HEX W/HD .75"	6	
4B	030955	NUT, LOCK 3/8-16 GR.C ZINC	8	
4C	902013-11	WASHER, FLAT 3/8" ZC	8	
4D	289444-02	3/8 U-BOLT, .88 X 2.38" LG	4	
